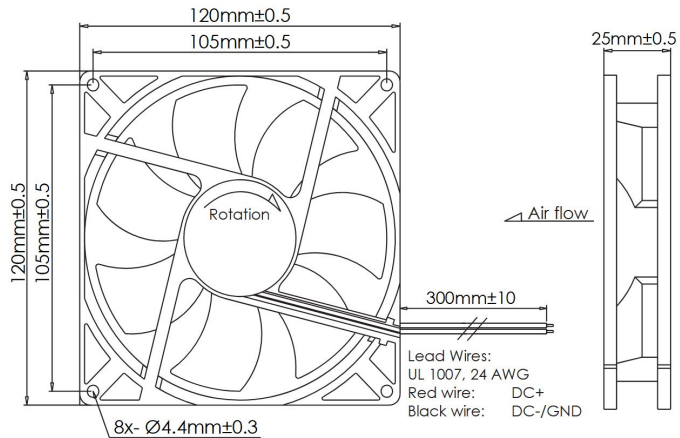


OD1225 Series



DC Fan - 12V, 24V, 48V
120 x 25mm (4.7" x 1.0")



Frame	PBT, UL94 V-0 plastic	Operating Temperature -20°C ~ +65°C Storage Temperature -25°C ~ +75°C Life Expectancy 60,000 Hours (L10 at 35°C) Available Options PWM Speed Control Input Tachometer Output Alarm Output IP Ratings Sealed Sleeve Bearings 5 Volt Weight: 0.34 lbs	
Impeller	PBT, UL94 V-0 plastic		
Connection	2x Lead Wires, 24 AWG		
Motor	Brushless DC, Auto Restart, Auto Cutoff, Polarity Protected, Electronically Protected		
Bearing System	Dual Ball Bearings		
Dielectric Strength	500VAC/min, <1mA		
Insulation Resistance	10MΩ between lead wires and frame (500 VDC)		

Part Number	Rated Voltage (Volts DC)	Voltage Range (Volts DC)	Input Power (Watts)	Rated Current (Amps)	Rated Speed (RPM)	Airflow (CFM)	Noise Level (dBA)	Max. Static Pressure ("H ₂ O)
OD1225-12HB	12	8 ~ 13.8	5.4	0.45	3100	120	42	0.24"
OD1225-12MB	12	8 ~ 13.8	4.0	0.35	2500	90	35	0.19"
OD1225-12LB	12	8 ~ 13.8	2.5	0.20	1900	70	25	0.15"
OD1225-24HB	24	15 ~ 26	7.7	0.32	3100	120	42	0.24"
OD1225-24MB	24	15 ~ 26	4.1	0.17	2500	90	35	0.19"
OD1225-24LB	24	15 ~ 26	2.4	0.10	1900	70	25	0.15"
OD1225-48HB	48	28 ~ 52	4.5	0.09	3100	120	42	0.24"
OD1225-48MB	48	28 ~ 52	3.5	0.07	2500	90	35	0.19"
OD1225-48LB	48	28 ~ 52	2.9	0.06	1900	70	25	0.15"