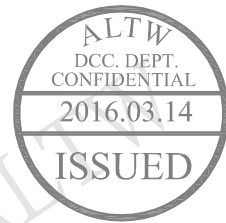
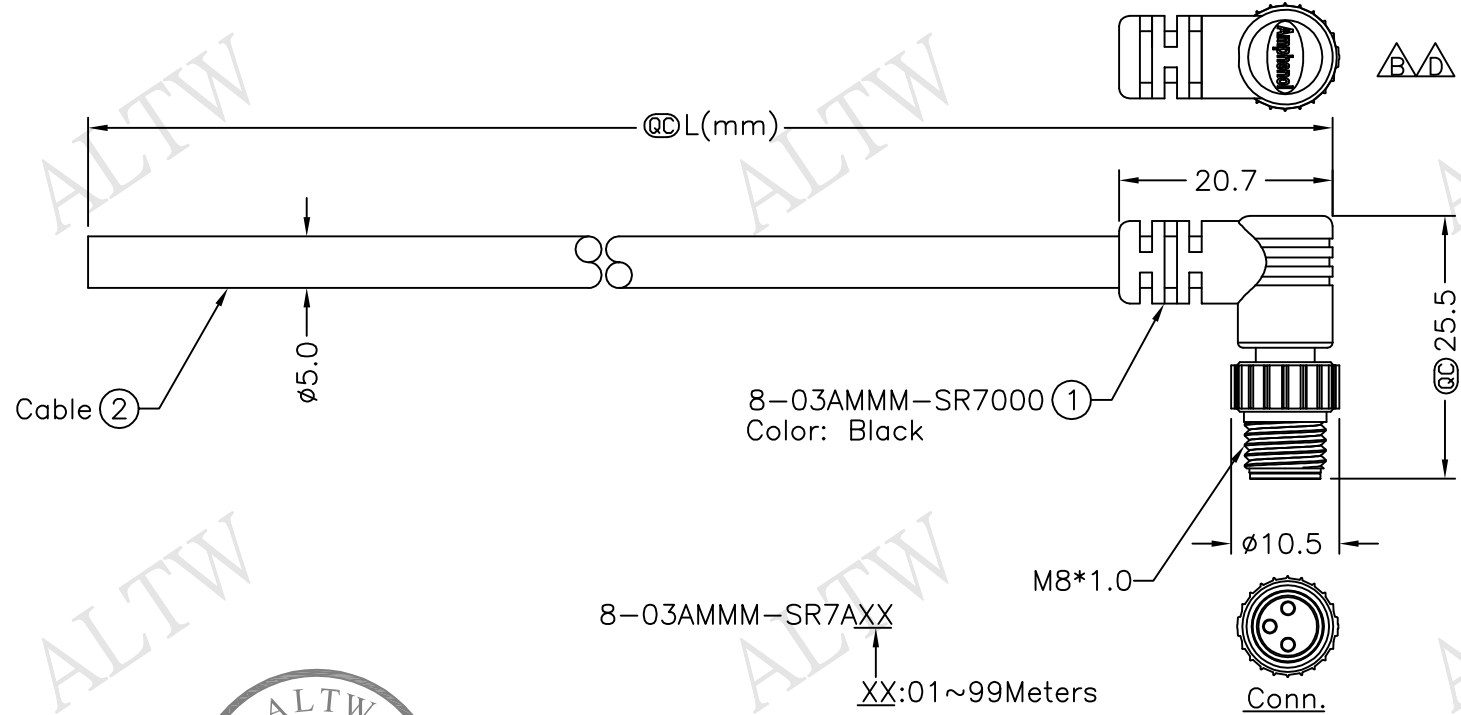
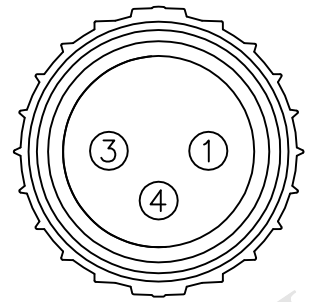


REV.	ECN NO.	DATE	SIGN	DESCRIPTION
B	LEN-780065	2007/06/06	J.De Castro	Add Projection.
C	LEN-92013~216	2009/02/04	Vicky	Update the drawing.
D	LEN1630149~152	2016/03/07	Vicky	Update Logo



8-03AMMM-SR7AXX
 XX:01~99Meters
 01:01Meter
 02:02Meters
 :
 :
 99:99Meters
 Cable Length(L):01~99Meters

- Note:
- * @C Important Dimension
 - * Waterproof Rate: IP67
 - * Connector: PU, Black
 - * Male Pin: Copper Alloy, Gold Plated
 - * Cable: UL2464 22AWG*3C+Talcum, Black, PVC Jacket, UV Resistant, OD=5.0mm
 - * Cable Length Tolerance: 01M:±40mm
 02M~05M:±60mm
 06M~10M:±100mm
 11M~30M:±200mm
 31M~99M:±500mm



Pin Assignments
Front View

4	Black	黑
3	Blue	藍
1	Brown	棕
Conn.	Wire Color	
Pin Out		

UNIT:mm		TITLE		M8 Conn
TOLERANCE		Cable Screw 3P M Conn M Pin		
±0.5 mm		SCALE	Free	SHEET 1 OF 1
		REV.	D	SIZE A4
		QC :Inspection Item		

Amphenol LTW
 安費諾亮泰企業股份有限公司

ITEM NO	DRAWN BY	DATE
DWG NO	CHECKED BY	DATE
CUSTOMER	APPROVED BY	DATE
8-03AMMM-SR7AXX	Vicky	2016/03/07
ALTW	Rita	2016/03/07
	Lisa	2016/03/07

THIS DOCUMENT IS SUBJECT TO CHANGE WITHOUT NOTICE. IT IS CONFIDENTIAL AND A PROPERTY OF AMPHENOL LTW. DISCLOSURE TO THIRD PARTY HAS TO BE AUTHORIZED BY AMPHENOL LTW.