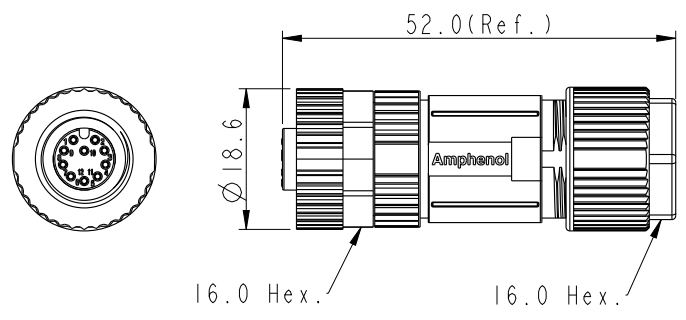
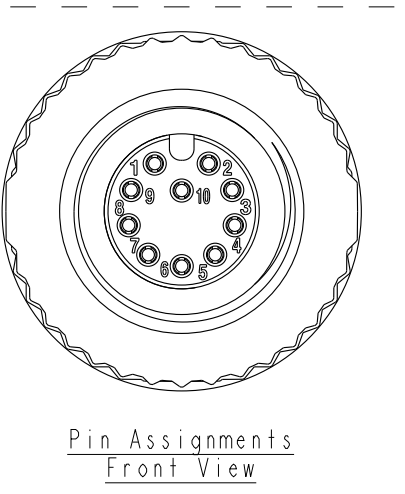
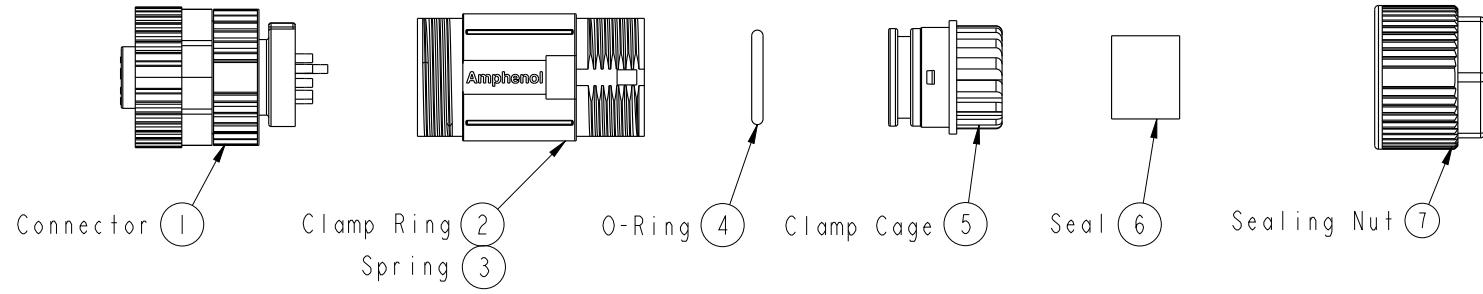


THIS DOCUMENT IS SUBJECT TO CHANGE WITHOUT NOTICE. IT IS CONFIDENTIAL AND A PROPERTY OF Amphenol LTW. DISCLOSURE TO THIRD PARTY HAS TO BE AUTHORIZED BY Amphenol LTW.

REV.	ECN NO.	DATE	SIGN	DESCRIPTION

ALTW
CONFIDENTIAL
 2015-05-04
R&D DEPT.

ALTW
DCC. DEPT.
CONFIDENTIAL
 2015.05.12
ISSUED



- Note:
- * $\text{\textcircled{1}}$ Important Dimension To Check.
 - * Waterproof Rate: IP67
 - * Housing: Nylon, Black.
 - * Clamp Cage: Nylon, Black.
 - * Pin: Copper Alloy, Gold Plated.
 - * Nut: Zinc Alloy, Nickel Plated.
 - * O-Ring: Silicon, Grey.
 - * Clamp Ring: Zinc Alloy, Nickel Plated.
 - * Sealing Nut: Zinc Alloy, Nickel Plated.
 - * Seal: Silicon, Grey.
 - * Seal For Cable OD: $\varnothing 4.0\text{mm} \sim \varnothing 7.5\text{mm}$
 - * Applicable wire gauge (Stranded wire cross section) 26AWG~24AWG
 - * Mating Recommended tightening torque:
3~4 kgf.cm / 0.29~0.39 N.m
 - * Sealing-Nut Recommended tightening torque:
4~6 kgf.cm / 0.39~0.59 N.m
 - * Detailed applicable wire specifications may vary depending on the actual wire construction.

UNIT:mm TOLERANCE .X ± 0.25 .XX ± 0.1 .XXX ± 0.05 ANGLES $\pm 1^\circ$	 TITLE M12A Shielded Assy 10Pin F Conn. F Pin	Amphenol LTW 安費諾亮泰企業股份有限公司		ITEM NO	MSAS-10BFFA-SL7001	DRAWN BY	Yulong_wang	DATE	2015-05-04
				DWG NO	MSAS-10BFFA-SL7001	CHECKED BY	Lu Di	DATE	2015-05-04
				CUSTOMER	ALTW	APPROVED BY	Jerry	DATE	2015-05-04
SCALE	1:1	SIZE	A4	SHEET	1	OF	1	8 FMW10702-01-02A1	
REV.	A	WC-REV.	A.4	$\text{\textcircled{1}}$: Inspection item					