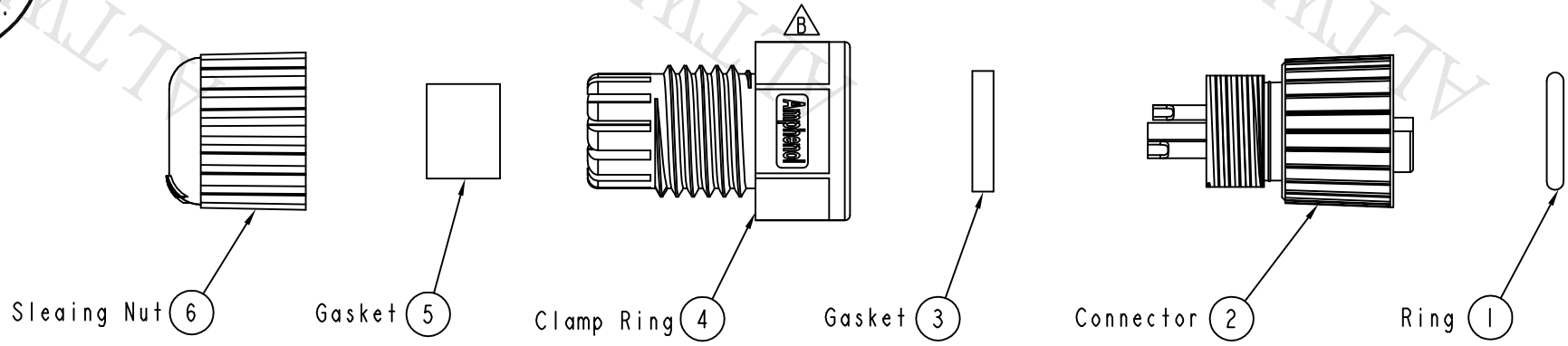
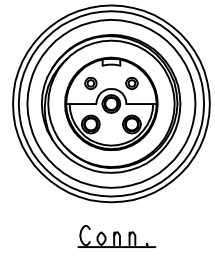
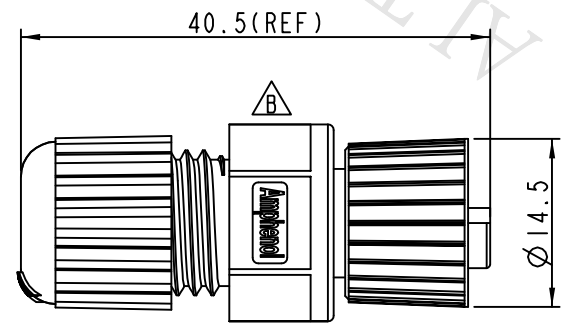
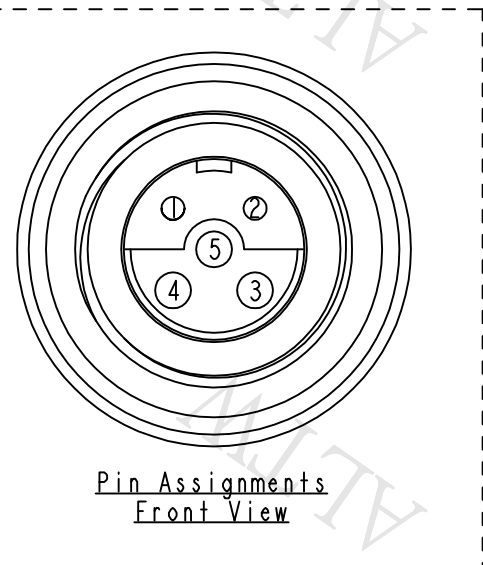


REV.	ECN NO.	DATE	SIGN	DESCRIPTION
B	LEN1480591	2014-08-11	Rita	Update Logo

ALTW  
CONFIDENTIAL  
2014-08-11  
R&D DEPT.



ALTW  
DCC DEPT.  
CONFIDENTIAL  
2014.09.01  
ISSUED



- Note:
- \*  $\varnothing$  Important Dimension.
  - \* Waterproof Rate: IP68
  - \* Housing: Black, Nylon+GF
  - \* Pin: Copper Alloy, Gold Plated
  - \* Nut: Zinc Alloy, Nickel Plated
  - \* Ring: Green, Viton
  - \* Gasket: Black, EPDM
  - \* Clamp Ring: Black, Nylon
  - \* Sealing Nut: Black, Nylon
  - \* Seal: Black, EPDM
  - \* Seal For Cable OD:  $\varnothing$ 4.5mm~ $\varnothing$ 6.5mm

UNIT: mm

TOLERANCE	
.X	±0.25
.XX	±0.1
.XXX	±0.05
ANGLES	±1°

TITLE M12 Conn, Assy Screw 5Pin F Conn. C Pin			
SCALE	SIZE	SHEET	OF
3:2	A4	1	1
REV.	WC-REV.	QC: Inspection item	
B	A.3		

**Amphenol LTW**  
安費諾亮泰企業股份有限公司

ITEM NO	12-05BFIA-SL8001	DRAWN BY	Rita	DATE	2014-08-11
DWG NO	12-05BFIA-SL8001	CHECKED BY	Kris	DATE	2014-08-11
CUSTOMER	ALTW	APPROVED BY	Wenmao	DATE	2014-08-11

THIS DOCUMENT IS SUBJECT TO CHANGE WITHOUT NOTICE. IT IS CONFIDENTIAL AND A PROPERTY OF Amphenol LTW. DISCLOSURE TO THIRD PARTY HAS TO BE AUTHORIZED BY Amphenol LTW.