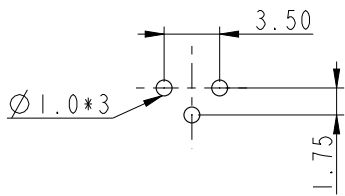
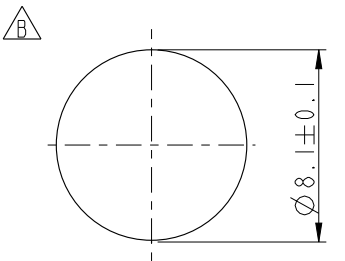


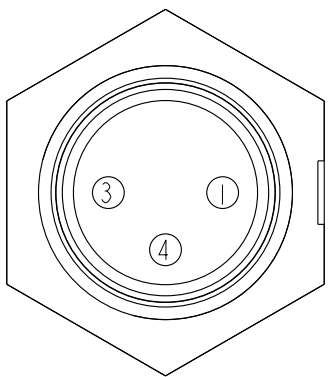
REV.	ECN NO.	DATE	SIGN	DESCRIPTION
B	LEN-910192	2009/01/07	Ivan Lin	Change rev. to ECN note
C	LEN-030191	2010/03/24	Li Xiu Zhi	Change View
D	C200518	2020/04/25	Peng	$\triangle$ D XI



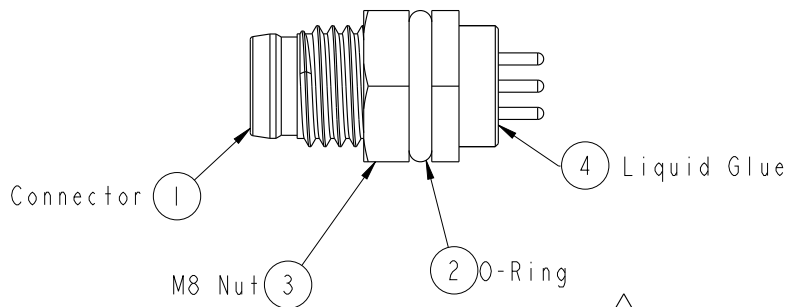
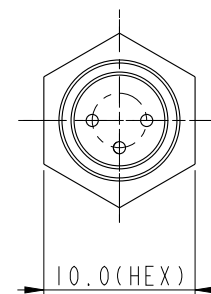
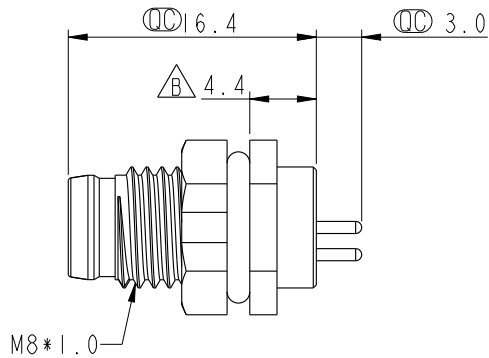
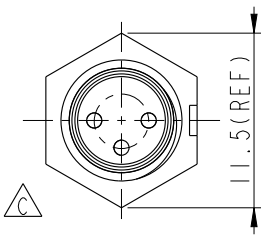
$\triangle$ B PCB Layout



Recommended Panel Cut-Out



Pin Assignments  
Front View



Note:  $\triangle$

- \*  $\text{QC}$  Important Dimension To Check.
- \* Waterproof Rate: IP67
- \* Housing: Nylon+GF, Black
- \* Male Pin: Copper Alloy, Gold Plated
- \* M8 Nut: Nylon+GF, Black
- \* O-Ring: EPDM, Black
- \* Panel Thickness For Snap-in Type Max 3.0mm
- \* Panel Thickness For Screw Type Max 1.9mm

UNIT:mm		
TOLERANCE	.X ±0.25	
.XX ±0.1		
.XXX ±0.05		
ANGLES	±1°	

TITLE $\triangle$ B M8 Conn Panel Screw 3P M Conn M Pin			
SCALE 2:1	SIZE A4	SHEET 1 OF 1	
REV. D	WC-REV. A.4	$\text{QC}$ : Inspection item	

**Amphenol LTW**  
安費諾亮泰企業股份有限公司

ITEM NO 8P-03PMMP-SF7001	DRAWN BY Li Xiu Zhi	DATE 2010-03-24
DWG NO 8P-03PMMP-SF7001	CHECKED BY Tina	DATE 2010-03-24
CUSTOMER ALTW	APPROVED BY Can	DATE 2010-03-24

THIS DOCUMENT IS SUBJECT TO CHANGE WITHOUT NOTICE. IT IS CONFIDENTIAL AND A PROPERTY OF Amphenol LTW. DISCLOSURE TO THIRD PARTY HAS TO BE AUTHORIZED BY Amphenol LTW.