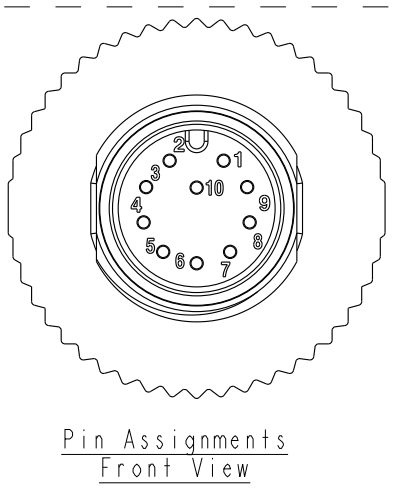
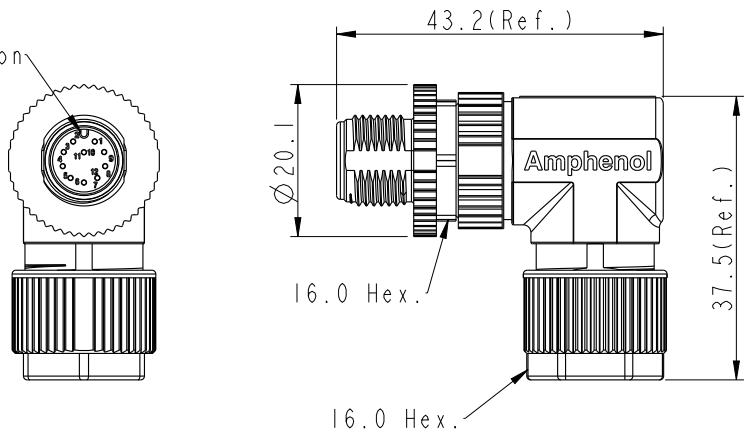
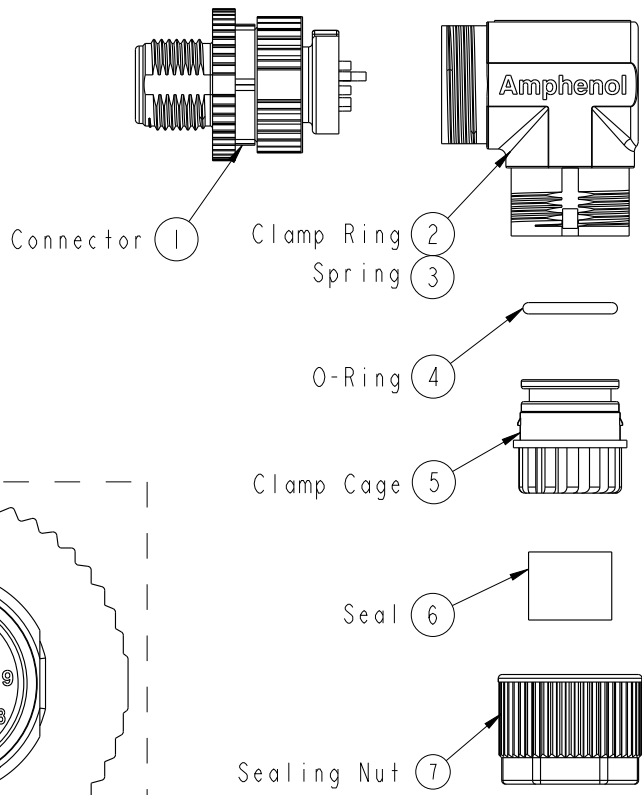


REV.	ECN NO.	DATE	SIGN	DESCRIPTION

ALTW
CONFIDENTIAL
2015-05-04
R&D DEPT.

ALTW
DCC. DEPT.
CONFIDENTIAL
2015.05.12
ISSUED

360° Adjustable Key Code Direction



- Note:
- * \varnothing Important Dimension To Check.
 - * Waterproof Rate: IP67
 - * Housing: Nylon, Black.
 - * Clamp Cage: Nylon, Black.
 - * Pin: Copper Alloy, Gold Plated.
 - * Nut: Zinc Alloy, Nickel Plated.
 - * O-Ring: Silicon, Grey.
 - * Clamp Ring: Zinc Alloy, Nickel Plated.
 - * Sealing Nut: Zinc Alloy, Nickel Plated.
 - * Seal: Silicon, Grey.
 - * Seal For Cable OD: \varnothing 4.0mm~ \varnothing 7.0mm
 - * Applicable Wire gauge (Stranded wire cross section) 26AWG ~24AWG
 - * Mating Recommended tightening torque:
3~4 kgf.cm / 0.29~0.39 N.m
 - * Sealing-Nut Recommended tightening torque:
4~6 kgf.cm / 0.39~0.59 N.m
 - * Detailed applicable wire specifications may vary depending on the actual wire construction.

UNIT:mm		TITLE M12A Shielded Assy 90° 10Pin M Conn. M Pin		<h1>Amphenol LTW</h1> 安費諾亮泰企業股份有限公司	ITEM NO MSAS-10BMMMA-SR7001	DRAWN BY Yulong_wang	DATE 2015-05-04
		TOLERANCE .X ±0.25 .XX ±0.1 .XXX ±0.05 ANGLES ±1°	SCALE 1:1		SIZE A4	SHEET 1 OF 1	DWG NO MSAS-10BMMMA-SR7001
		REV. A	WC-REV. A.2	Inspection item	CUSTOMER ALTW	APPROVED BY Jerry	DATE 2015-05-04

THIS DOCUMENT IS SUBJECT TO CHANGE WITHOUT NOTICE. IT IS CONFIDENTIAL AND A PROPERTY OF Amphenol LTW. DISCLOSURE TO THIRD PARTY HAS TO BE AUTHORIZED BY Amphenol LTW.