

High Frequency Ceramic Solutions

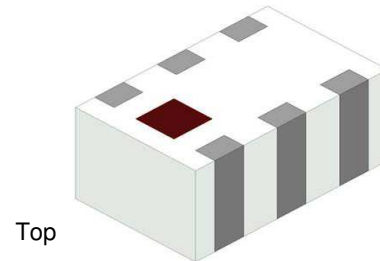
3.5 GHz EIA 0603 Low Pass Filter

P/N 3550LP14A300

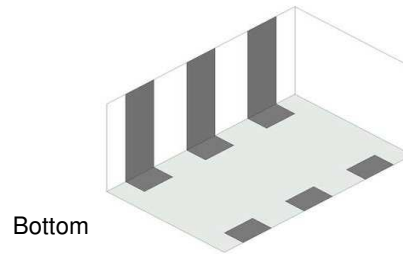
Detail Specification: 9/21/2021

Page 1 of 4

General Specifications	
Part Number	3550LP14A300
Frequency (MHz)	3400 - 3700
Insertion Loss (dB)	0.65 max.
Return Loss (dB)	14.0 min.
Attenuation (dB)	25 min. @ 2 x fo
	25 min. @ 3 x fo
Power Capacity (W)	2 max. (CW)
Operating Temp.	-40 to +85 °C
Recommended Storage Conditions and Period for Unused Product on T&R	+5°C to +35°C Humidity 45 - 75% RH 18 months max.
Reel Quantity (pcs./reel)	4,000



Top



Bottom

Part Number Explanation

P/N Suffix	Packing Style	Bulk (loose pcs.)	Suffix = S	E.g. 3550LP14A300S
		T & R	Suffix = T	E.g. 3550LP14A300T
	Termination Style	100% Tin	Suffix = None	E.g. 3550LP14A300(T or S)
	Evaluation Board	50Ω SMA	Suffix = EB-SMA	E.g. 3550LP14A300-EB-SMA

Would you like the layout file for component? Please send us as message at: <https://www.johansontechnology.com/ask-a-question>

Mechanical Dimensions

	In	mm
L	0.063 ± 0.004	1.60 ± 0.1
W	0.031 ± 0.004	0.80 ± 0.1
T	0.024 ± 0.004	0.60 ± 0.1
a	0.008 ± 0.004	0.20 ± 0.1
b	0.008 +.004/-0.006	0.20 +0.1/-0.15
c	0.006 ± 0.004	0.15 ± 0.1
g	0.012 ± 0.004	0.30 ± 0.1
p	0.020 ± 0.002	0.50 ± 0.05

Terminal Configuration

No.	Function	No.	Function
1	GND	4	GND
2	IN/OUT	5	IN/OUT
3	GND	6	GND

Johanson Technology, Inc. reserves the right to make design changes without notice.
All sales are subject to Johanson Technology, Inc. terms and conditions.



<https://www.johansontechnology.com>
4001 Calle Tecate • Camarillo, CA 93012 • TEL 805.389.1166 FAX 805.389.1821
Ver. 3.0

2021 Johanson Technology, Inc. All Rights Reserved

High Frequency Ceramic Solutions

3.5 GHz EIA 0603 Low Pass Filter

P/N 3550LP14A300

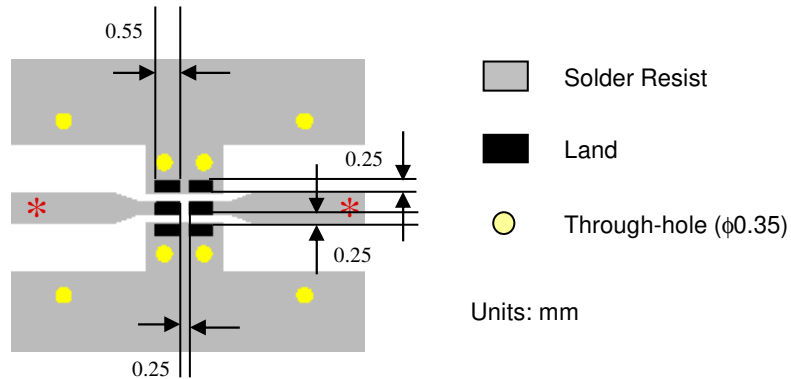
Detail Specification: 9/21/2021

Page 2 of 4

Mounting Considerations

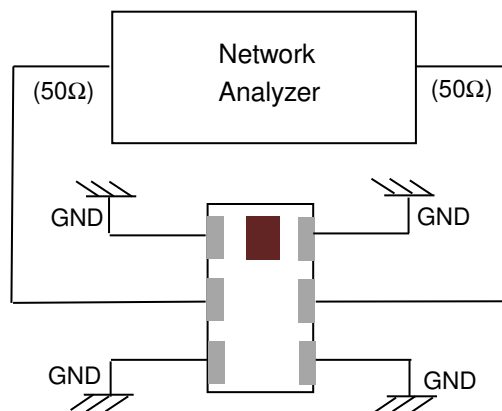
Mount these devices with brown mark facing up.

*Line width should be designed to provide 50Ω impedance matching characteristics.



Need help with the layout, s-parameters, simulation, or design validation?
Send us a message at: <https://www.johansontechnology.com/ask-a-question>

Measuring Diagram



Johanson Technology, Inc. reserves the right to make design changes without notice.
All sales are subject to Johanson Technology, Inc. terms and conditions.

High Frequency Ceramic Solutions

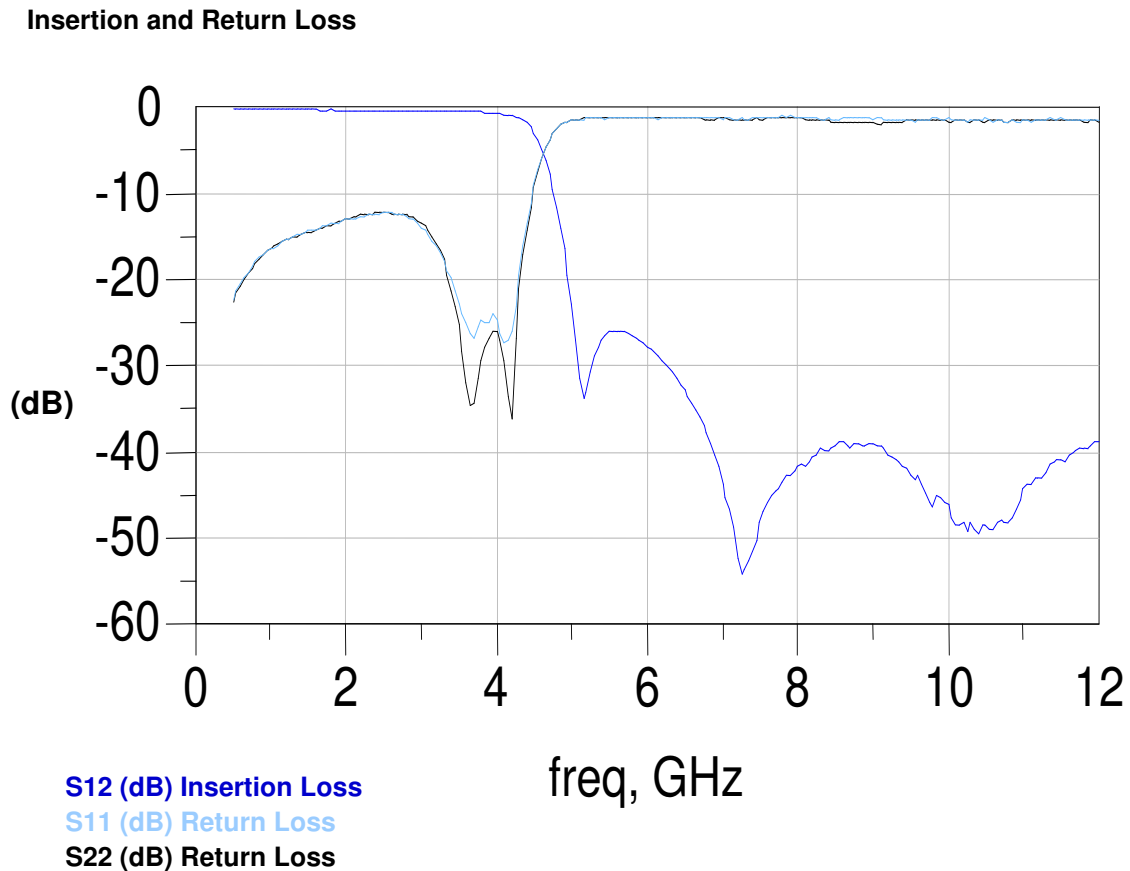
3.5 GHz EIA 0603 Low Pass Filter

P/N 3550LP14A300

Detail Specification: 9/21/2021

Page 3 of 4

Typical Electrical Performance (T=25°C)



Johanson Technology, Inc. reserves the right to make design changes without notice.
All sales are subject to Johanson Technology, Inc. terms and conditions.



High Frequency Ceramic Solutions

3.5 GHz EIA 0603 Low Pass Filter

P/N 3550LP14A300

Detail Specification: 9/21/2021

Page 4 of 4

Application Notes, Layout Files, and more

<https://www.johansontechnology.com/low-pass-filters>

Packaging information

<https://www.johansontechnology.com/tape-reel-packaging>

Soldering Information

<https://www.johansontechnology.com/ipcsoldering-profile>

MSL Info

<https://www.johansontechnology.com/msl-rating>

Recommended Storage Condition and Max Shelf Life

<https://www.johansontechnology.com/recommended-storage-conditions>

RoHS Compliance

<https://www.johansontechnology.com/technical-notes/rohs-compliance>

Layout review services

<https://www.johansontechnology.com/ask-a-question>

Antenna layout review, tuning, and characterization services

<https://www.johansontechnology.com/ipc-antenna-services>

Johanson Technology, Inc. reserves the right to make design changes without notice.
All sales are subject to Johanson Technology, Inc. terms and conditions.



<https://www.johansontechnology.com>
4001 Calle Tecate • Camarillo, CA 93012 • TEL 805.389.1166 FAX 805.389.1821
Ver. 3.0 2021 Johanson Technology, Inc. All Rights Reserved