

Ratings

Voltage: 300 V
 Temperature: 80° C
 Flammability: VW-1

Conductor

Conductor count: 2
 Gauge: 28 AWG, 0.089 mm²
 Material: bare copper strands
 Strand size: Ø 0.127 mm x 7

Insulator

Material: SR-PVC
 Color: red, white
 Diameter: 0.85 ± 0.1 mm
 Nominal thickness: 0.24 mm

Shield

Type: spiral & foil
 Material: bare copper strands & aluminum mylar
 Stranding: Ø0.127 x 45
 Coverage: 100% minimum

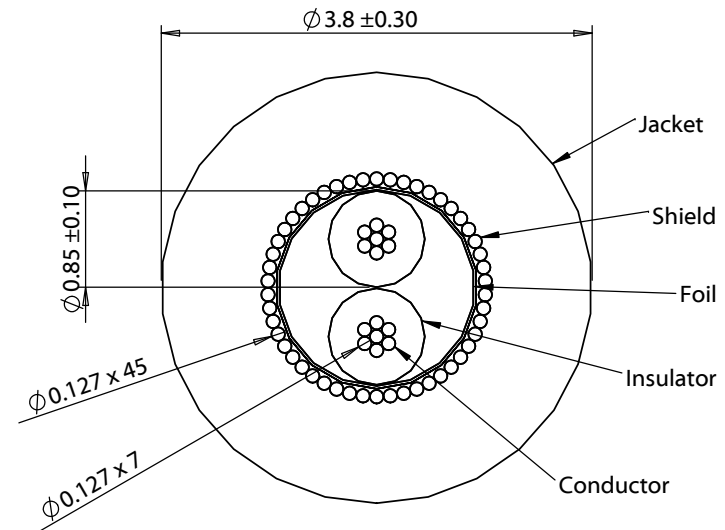
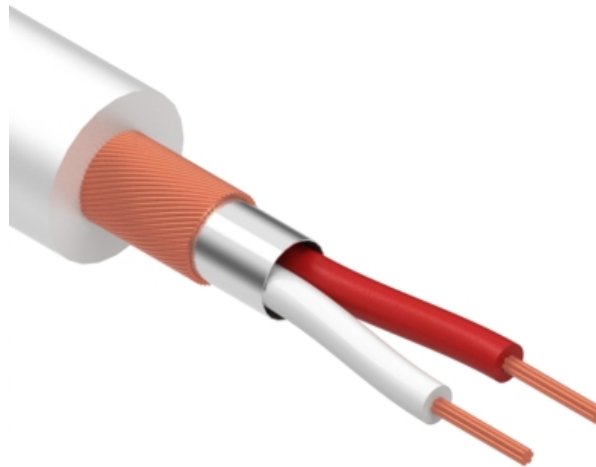
Outer jacket

Material: PVC
 Color: white
 Diameter: 3.8 ± 0.3 mm
 Nominal thickness: 0.9 mm

Tests

Spark test: 3.0 kV
 Max resistance at 20 °C: 240 ohm/km
 Insulation tensile strength: 2.11 kgf/mm²
 Jacket tensile strength: 1.05 kgf/mm²
 After aging at 113 ± 2 °C for 7 days:
 Minimum tensile strength 70 % original
 Minimum elongation 65 % original
 Heat shock: 121 ± 1 °C / 1 hour, no observed degradation
 Deformation: 121 ± 1 °C / 1 hour, ≤ 50 %
 Cold bend: -10 ± 1 °C / 1 hour, no observed cracking
 Dielectric test: 2000 Vac for 1 minute without breakdown

Use: Internal wiring or external interconnection of electronic equipment.



Revision:	Date:	Description:	Prepared:	Notes:	TENSILITY tel 1.541.323.3228 800 877.670.7118 fax 1.541.323.4202 web tensility.com		
A	3/28/2012	Initial release	Verified:	RoHS and REACH compliant Function test: no open, no short circuit, no intermittent			
A1	4/07/2014	Updated format	Dimensions are in millimeters. Tolerances: X: ± 0.5 mm X.X: ± 0.3 mm X.XX: ± 0.05 mm	Description: Wire, 2C BC, 28 AWG, 300V, 80C, 3.8 mm, foil + shield, PVC, white	Size:	Part number:	
A2	10/19/2015	Updated tolerances			A	30-00178	
A3	8/22/2016	Modified insulator material			Scale: 1:1		Sheet 1 of 1