



General Description

The SP3243E products (SP3243E, SP3243EB, SP3243EH, and SP3243EU) are 3 driver / 5 receiver RS-232 transceiver solutions intended for portable or hand-held applications such as notebook and palmtop computers. The SP3243E includes one complementary receiver that remains alert to monitor an external device's Ring Indicate signal while the device is shutdown. The SP3243E and EB devices feature slew-rate limited outputs for reduced crosstalk and EMI. The "EU" and "EH" series are optimized for high speed with data rates up to 1Mbps, easily meeting the demands of high speed RS-232 applications. The SP3243E series uses an internal high-efficiency charge-pump power supply that requires only 0.1 μ F capacitors in 3.3V operation. This charge pump and MaxLinear's driver architecture allow the SP3243E series to deliver compliant RS-232 performance from a single power supply ranging from +3.0V to +5.5V. The AUTO ON-LINE feature allows the device to automatically "wake-up" during a shutdown state when an RS-232 cable is connected and a connected peripheral is turned on. Otherwise, the device automatically shuts itself down, drawing less than 1 μ A.

Features

- Meets true EIA / TIA-232-F standards from a +3.0V to +5.5V power supply
- Interoperable with EIA / TIA-232 and adheres to EIA / TIA-562 down to a +2.7V power source
- AUTO ON-LINE[®] circuitry automatically wakes up from a 1 μ A shutdown
- Regulated Charge Pump yields stable RS-232 outputs regardless of V_{CC} variations
- Enhanced ESD specifications:
 - ± 15 kV Human Body Model
 - ± 15 kV IEC61000-4-2 Air Discharge
 - ± 8 kV IEC61000-4-2 Contact Discharge
- 250kbps minimum transmission rate (EB)
- 1000kbps minimum transmission rate (EU)
- Ideal for high speed RS-232 applications

Ordering Information - [page 23](#)

Selection Table

Table 1: SP3243E Selection Table

| Device | Power Supplies | RS-232 Drivers | RS-232 Receivers | External Components | Auto On-Line Circuitry | TTL 3-State | # of Pins | Data Rate (kbps) | ESD Rating |
|----------|----------------|----------------|------------------|---------------------|------------------------|-------------|-----------|------------------|------------|
| SP3243E | +3.0V to +5.5V | 3 | 5 | 4 capacitors | Yes | Yes | 28 | 120 | 15kV |
| SP3243EB | +3.0V to +5.5V | 3 | 5 | 4 capacitors | Yes | Yes | 28 | 250 | 15kV |
| SP3243EH | +3.0V to +5.5V | 3 | 5 | 4 capacitors | Yes | Yes | 28 | 460 | 15kV |
| SP3243EU | +3.0V to +5.5V | 3 | 5 | 4 capacitors | Yes | Yes | 28 | 1000 | 15kV |

Revision History

| Revision | Release Date | Change Description |
|----------|------------------|--------------------------------------------------------------------------------------------------------------------------------------------------------------------------------------------------------------------------------|
| -- | 02/05/06 | Legacy Sipex Datasheet |
| 1.0.0 | 7/23/09 | Convert to Exar Format, Update ordering information and change revision to 1.0.0. |
| 1.0.1 | 11/10/09 | Add missing (EH) model identification for Driver output Skew and Transition-Region Slew Rate specification and change revision to 1.0.1. |
| 1.0.2 | 06/06/11 | Remove obsolete devices per PDN 110510-01 and change ESD rating to IEC61000-4-2. |
| 1.0.3 | 05/24/19 | Convert to MaxLinear format. Update Ordering Information and remove obsolete devices. Move pinouts to Pin Information section. Add ESD rating table to Absolute Maximum section. Remove obsolete WSOIC28 package information. |
| 1.0.4 | December 1, 2021 | Updated: <ul style="list-style-type: none">■ In "Absolute Maximum Ratings" table, replaced "$V_{CC} + 6.0$" maximum value for the "TxIN, <u>ONLINE</u>, <u>SHUTDOWN</u>" parameter with "6.0". |

Table of Contents

| | |
|---------------------------------------------------|-----------|
| General Description | i |
| Features | i |
| Selection Table | i |
| Specifications | 1 |
| Absolute Maximum Ratings..... | 1 |
| ESD Ratings | 1 |
| Electrical Characteristics | 2 |
| Typical Performance Characteristics | 4 |
| Pin Information | 5 |
| Pin Configuration | 5 |
| Pin Descriptions | 6 |
| Typical Operating Circuit | 7 |
| Description | 8 |
| Theory of Operation | 9 |
| Drivers | 9 |
| Receivers | 10 |
| Charge Pump | 10 |
| Phase 1: V_{SS} Charge Storage..... | 10 |
| Phase 2: V_{SS} Transfer..... | 10 |
| Phase 3: V_{DD} Charge Storage | 11 |
| Phase 4: V_{DD} Transfer | 11 |
| AUTO ONLINE Circuitry..... | 11 |
| ESD Tolerance | 15 |
| Mechanical Dimensions | 17 |
| QFN32..... | 17 |
| Recommended Land Pattern and Stencil | 18 |
| QFN32..... | 18 |
| Mechanical Dimensions | 19 |
| SSOP28 | 19 |
| Recommended Land Pattern and Stencil | 20 |
| SSOP28 | 20 |
| Mechanical Dimensions | 21 |
| TSSOP28 | 21 |

Recommended Land Pattern and Stencil..... 22
 TSSOP2822
Ordering Information..... 23

List of Figures

| | |
|---------------------------------------------------------------------------------------|----|
| Figure 1: Transmitter Skew vs. Load Capacitance | 4 |
| Figure 2: Transmitter Output Voltage vs. Supply Voltage for the SP3243EU..... | 4 |
| Figure 3: Transmitter Output Voltage vs. Load Capacitance for the SP3243EU..... | 4 |
| Figure 4: Supply Current vs. Load Capacitance for the SP3243EU | 4 |
| Figure 5: Supply Current vs. Supply Voltage for the SP3243EU..... | 4 |
| Figure 6: Transmitter Output Voltage vs. Load Capacitance for the SP3243EB | 4 |
| Figure 7: Slew Rate vs. Load Capacitance..... | 5 |
| Figure 8: SP3243E Pinout (Top View) SSOP / TSSOP..... | 5 |
| Figure 9: SP3243E Pinout (Top View) QFN32 | 5 |
| Figure 10: SP3243E Typical Operating Circuit | 7 |
| Figure 11: Interface Circuitry Controlled by Microprocessor Supervisory Circuit | 8 |
| Figure 12: Loopback Test Circuit for RS-232 Driver Data Transmission Rates | 9 |
| Figure 13: Loopback Test Results at 1Mbps | 9 |
| Figure 14: Loopback Test Results at 250kbps | 9 |
| Figure 15: Charge Pump — Phase 1..... | 10 |
| Figure 16: Charge Pump — Phase 2..... | 10 |
| Figure 17: Charge Pump — Phase 3..... | 11 |
| Figure 18: Charge Pump — Phase 4..... | 11 |
| Figure 19: AUTO ON-LINE Timing Waveforms | 12 |
| Figure 20: SP3243E Driver Output Voltages vs. Load Current per Transmitter | 12 |
| Figure 21: Mouse Drive Application..... | 13 |
| Figure 22: Attaching SP3243E to a DB-9 Connector..... | 13 |
| Figure 23: Stage I of AUTO ON-LINE Circuitry | 14 |
| Figure 24: Stage II of AUTO ON-LINE Circuitry | 14 |
| Figure 25: ESD Test Circuit for Human Body Model | 16 |
| Figure 26: ESD Test Circuit for IEC61000-4-2 | 16 |
| Figure 27: ESD Test Waveform for IEC61000-4-2 | 16 |
| Figure 28: Mechanical Dimensions, QFN32 | 17 |
| Figure 29: Recommended Land Pattern and Stencil, QFN32 | 18 |
| Figure 30: Mechanical Dimensions, SSOP28..... | 19 |
| Figure 31: Recommended Land Pattern and Stencil, SSOP28..... | 20 |
| Figure 32: Mechanical Dimensions, TSSOP28 | 21 |
| Figure 33: Recommended Land Pattern and Stencil, TSSOP28..... | 22 |
| Figure 34: Part Nomenclature..... | 24 |

List of Tables

| | |
|----------------------------------------------------------------|----|
| Table 1: SP3243E Selection Table..... | i |
| Table 2: Absolute Maximum Ratings | 1 |
| Table 3: ESD Ratings | 1 |
| Table 4: Electrical Characteristics | 2 |
| Table 5: Device Pin Descriptions..... | 6 |
| Table 6: SP3243E SHUTDOWN Truth Table | 10 |
| Table 7: Minimum Recommended Charge Pump Capacitor Value | 11 |
| Table 8: AUTO ON-LINE Logic..... | 14 |
| Table 9: Transceiver ESD Tolerance Levels | 16 |
| Table 10: Ordering Information..... | 23 |

Specifications

Absolute Maximum Ratings

Important: These are stress ratings only and functional operation of the device at these ratings or any other above those indicated in the operation sections of the specifications below is not implied. Exposure to absolute maximum ratings conditions for extended periods of time may affect reliability and cause permanent damage to the device.

Table 2: Absolute Maximum Ratings

| Parameter | Minimum | Maximum | Units |
|--------------------------------------------------------------------------------|---------|----------------|--------------------|
| V_{CC} | -0.3 | 6.0 | V |
| $V_{+}^{(1)}$ | -0.3 | 7.0 | V |
| $V_{-}^{(1)}$ | +0.3 | -7.0 | V |
| $V_{+} + V_{-} ^{(1)}$ | | +13 | V |
| I_{CC} (DC V_{CC} or GND current) | | ± 100 | mA |
| Input Voltages | | | |
| TxIN, <u>ONLINE</u> , <u>SHUTDOWN</u> | -0.3 | 6.0 | V |
| RxIN | | ± 15 | V |
| Output Voltages | | | |
| TxOUT | | ± 13.2 | V |
| RxOUT, <u>STATUS</u> | -0.3 | $V_{CC} + 0.3$ | V |
| Short-Circuit Duration | | | |
| TxOUT | | Continuous | |
| Temperature | | | |
| Storage temperature | -65 | 150 | $^{\circ}\text{C}$ |
| Power Dissipation per Package | | | |
| 28-pin SSOP (derate 11.2mW/ $^{\circ}\text{C}$ above +70 $^{\circ}\text{C}$) | | 900 | mW |
| 28-pin TSSOP (derate 13.2mW/ $^{\circ}\text{C}$ above +70 $^{\circ}\text{C}$) | | 1059 | mW |
| 32-pin QFN (derate 29.4mW/ $^{\circ}\text{C}$ above +70 $^{\circ}\text{C}$) | | 2352 | mW |

1. V_{+} and V_{-} can have maximum magnitudes of 7V, but their absolute difference cannot exceed 13V.

ESD Ratings

Table 3: ESD Ratings

| Parameter | Level | Value | Units |
|---------------------------------------------------------------------|-------|----------|-------|
| HBM — Human Body Model (driver outputs and receiver inputs) | | ± 15 | kV |
| IEC61000-4-2 Air Discharge (driver outputs and receiver inputs) | 4 | ± 15 | kV |
| IEC61000-4-2 Contact Discharge (driver outputs and receiver inputs) | 4 | ± 8 | kV |

Electrical Characteristics

Unless otherwise noted, the following specifications apply for $V_{CC} = +3.0V$ to $+5.5V$ with $T_{AMB} = T_{MIN}$ to T_{MAX} , $C1 - C4 = 0.1\mu F$. Typical values apply at $V_{CC} = +3.3V$ or $+5.0V$ and $T_{AMB} = 25^{\circ}C$.

Table 4: Electrical Characteristics

| Parameter | Test Condition | Minimum | Typical | Maximum | Units |
|------------------------------------------|-----------------------------------------------------------------------------------------------------------------------------------------------------|-------------------------------------------------------------------------------------|----------------|-----------|------------|
| DC Characteristics | | | | | |
| Supply current, AUTO ON-LINE | All RxIN open, $\overline{ONLINE} = GND$, $\overline{SHUTDOWN} = V_{CC}$, $V_{CC} = 3.3V$, $T_{AMB} = 25^{\circ}C$, $T_{xIN} = GND$ or V_{CC} | | 1.0 | 10 | μA |
| Supply current, shutdown | $\overline{SHUTDOWN} = GND$, $V_{CC} = 3.3V$, $T_{AMB} = 25^{\circ}C$, $T_{xIN} = V_{CC}$ or GND | | 1.0 | 10 | μA |
| Supply current, AUTO ON-LINE disabled | $\overline{ONLINE} = \overline{SHUTDOWN} = V_{CC}$, no load, $V_{CC} = 3.3V$, $T_{AMB} = +25^{\circ}C$, $T_{xIN} = GND$ or V_{CC} | | 0.3 | 1.0 | mA |
| Logic Inputs and Receiver Outputs | | | | | |
| Input logic threshold | Low | $V_{CC} = 3.3V$ or $5.0V$, T_{xIN} , \overline{ONLINE} , $\overline{SHUTDOWN}$ | | 0.8 | V |
| | High | | 2.4 | | V |
| Input leakage current | T_{xIN} , \overline{ONLINE} , $\overline{SHUTDOWN}$, $T_{AMB} = +25^{\circ}C$, $V_{IN} = 0V$ to V_{CC} | | ± 0.01 | ± 1.0 | μA |
| Output leakage current | Receivers disabled, $V_{OUT} = 0V$ to V_{CC} | | ± 0.05 | ± 10 | μA |
| Output voltage Low | $I_{OUT} = 1.6mA$ | | | 0.4 | V |
| Output voltage High | $I_{OUT} = -1.0mA$ | $V_{CC} - 0.6$ | $V_{CC} - 0.1$ | | V |
| Driver Outputs | | | | | |
| Output voltage swing | All driver outputs loaded with $3k\Omega$ to GND, $T_{AMB} = +25^{\circ}C$ | ± 5.0 | ± 5.4 | | V |
| Output resistance | $V_{CC} = V+ = V- = 0V$, $V_{OUT} = \pm 2V$ | 300 | | | Ω |
| Output short-circuit current | $V_{OUT} = 0V$ | | ± 35 | ± 60 | mA |
| Output leakage current | $V_{CC} = 0V$ or $3.0V$ to $5.5V$, $V_{OUT} = \pm 12V$, drivers disabled | | | ± 25 | μA |
| Receiver Inputs | | | | | |
| Input voltage range | | -15 | | 15 | V |
| Input threshold Low | $V_{CC} = 3.3V$ | 0.6 | 1.2 | | V |
| | $V_{CC} = 5.0V$ | 0.8 | 1.5 | | V |
| Input threshold High | $V_{CC} = 3.3V$ | | 1.5 | 2.4 | V |
| | $V_{CC} = 5.0V$ | | 1.8 | 2.4 | V |
| Input hysteresis | | | 0.3 | | V |
| Input resistance | | 3 | 5 | 7 | k Ω |

Table 4: Electrical Characteristics

| Parameter | Test Condition | | Minimum | Typical | Maximum | Units |
|----------------------------------------------------------------------------------------------------------------------------------------|-------------------------------------|-------------------------------------------------------------------------------------------------------------------------------------------------------------------------|-----------------------|---------|---------|------------------|
| AUTO ON-LINE Circuitry Characteristics ($\overline{\text{ONLINE}} = \text{GND}$, $\overline{\text{SHUTDOWN}} = V_{\text{CC}}$) 25°C | | | | | | |
| STATUS output voltage Low | $I_{\text{OUT}} = 1.6\text{mA}$ | | | | 0.4 | V |
| STATUS output voltage High | $I_{\text{OUT}} = -1.0\text{mA}$ | | $V_{\text{CC}} - 0.6$ | | | V |
| Receiver threshold to drivers enabled (t_{ONLINE}) | Figure 19 | | | 350 | | μs |
| Receiver positive or negative threshold to STATUS High (t_{STSH}) | Figure 19 | | | 0.2 | | μs |
| Receiver positive or negative threshold to STATUS Low (t_{STSL}) | Figure 19 | | | 30 | | μs |
| Timing Characteristics | | | | | | |
| Maximum data rate | U | $R_{\text{L}} = 3\text{k}\Omega$, $C_{\text{L}} = 250\text{pF}$, one driver active | 1000 | | | kbps |
| | H | $R_{\text{L}} = 3\text{k}\Omega$, $C_{\text{L}} = 1000\text{pF}$, one driver active | 460 | | | kbps |
| | B | $R_{\text{L}} = 3\text{k}\Omega$, $C_{\text{L}} = 1000\text{pF}$, one driver active | 250 | | | kbps |
| | - | $R_{\text{L}} = 3\text{k}\Omega$, $C_{\text{L}} = 1000\text{pF}$, one driver active | 120 | | | kbps |
| Receiver propagation delay | t_{PHL} | Receiver input to receiver output, $C_{\text{L}} = 150\text{pF}$ | | 0.15 | | μs |
| | t_{PLH} | | | 0.15 | | μs |
| Receiver output enable time | Normal operation | | | 200 | | ns |
| Receiver output disable time | Normal operation | | | 200 | | ns |
| Driver skew | E, EB | $ t_{\text{PHL}} - t_{\text{PLH}} $ | | 100 | 500 | ns |
| | EH, EU | | | 50 | 100 | ns |
| Receiver skew | $ t_{\text{PHL}} - t_{\text{PLH}} $ | | | 50 | | ns |
| Transition-region slew rate | EH, EU | $V_{\text{CC}} = 3.3\text{V}$, $R_{\text{L}} = 3\text{k}\Omega$, $T_{\text{AMB}} = 25^\circ\text{C}$, measurements taken from -3.0V to +3.0V or +3.0V to -3.0V | | 90 | | V/ μs |
| | E, EB | | 6 | | 30 | V/ μs |

Typical Performance Characteristics

Unless otherwise noted, the following performance characteristics apply for $V_{CC} = +3.3V$, 1000kbps data rate, all drivers loaded with $3k\Omega$, $0.1\mu F$ charge pump capacitors, and $T_{AMB} = +25^{\circ}C$.

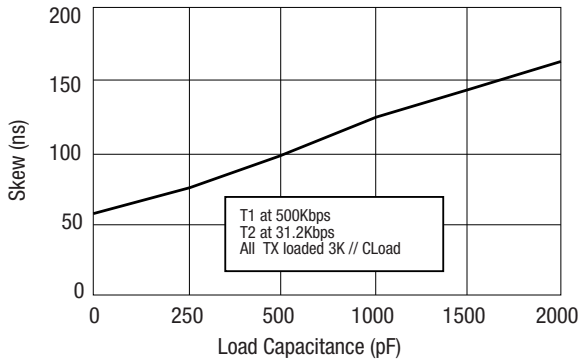


Figure 1: Transmitter Skew vs. Load Capacitance

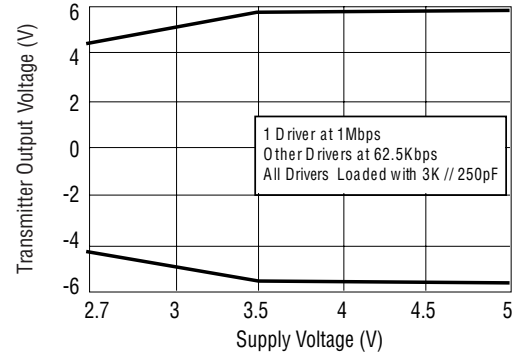


Figure 2: Transmitter Output Voltage vs. Supply Voltage for the SP3243EU

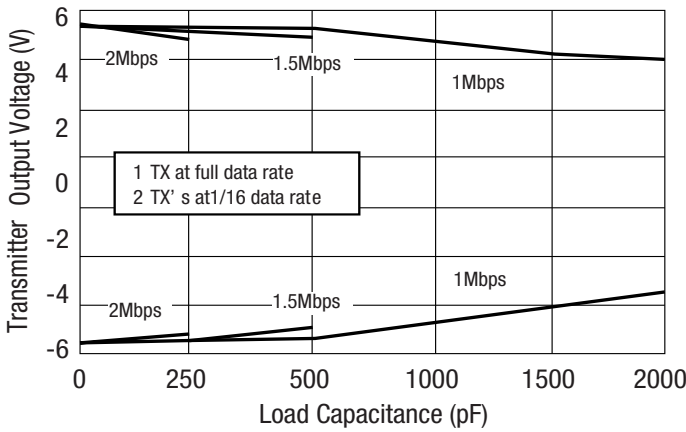


Figure 3: Transmitter Output Voltage vs. Load Capacitance for the SP3243EU

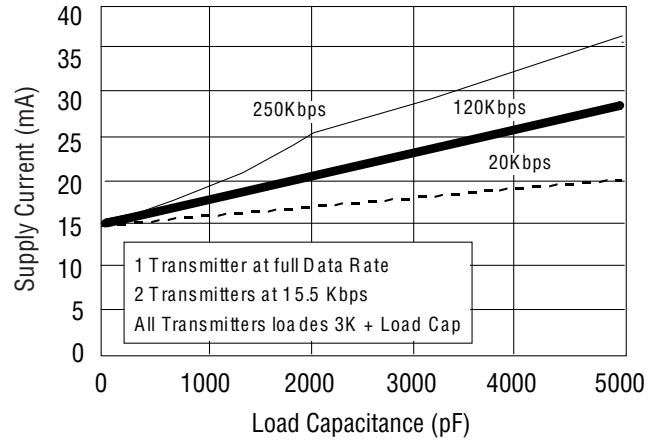


Figure 4: Supply Current vs. Load Capacitance for the SP3243EU

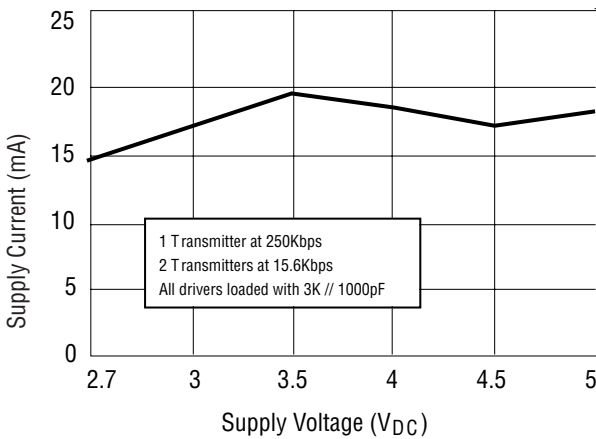


Figure 5: Supply Current vs. Supply Voltage for the SP3243EU

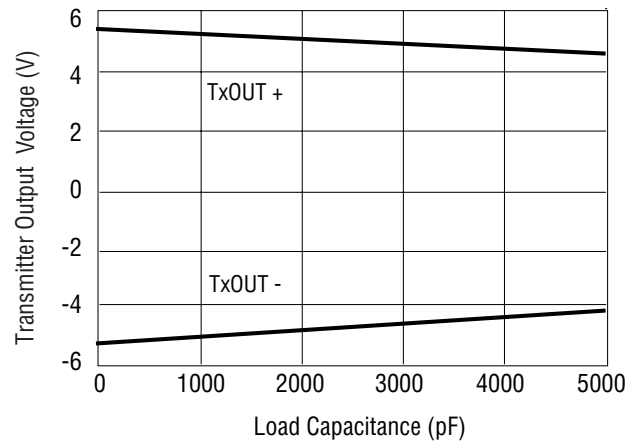


Figure 6: Transmitter Output Voltage vs. Load Capacitance for the SP3243EB

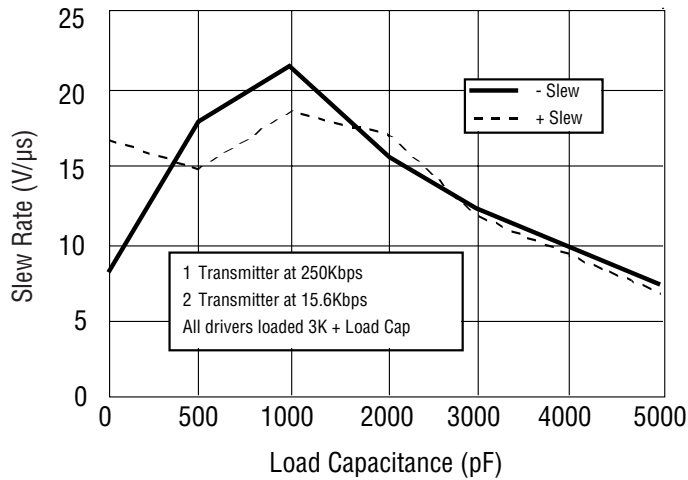


Figure 7: Slew Rate vs. Load Capacitance

Pin Information

Pin Configuration

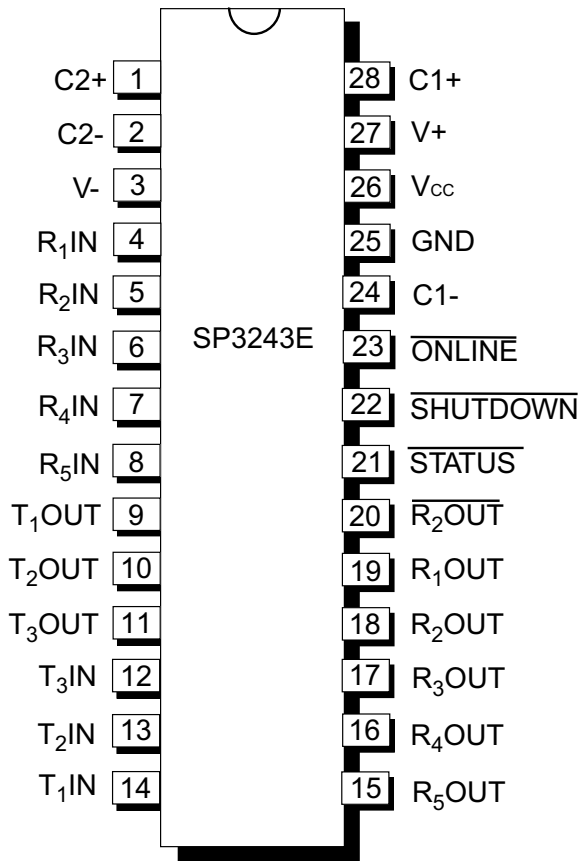


Figure 8: SP3243E Pinout (Top View) SSOP / TSSOP

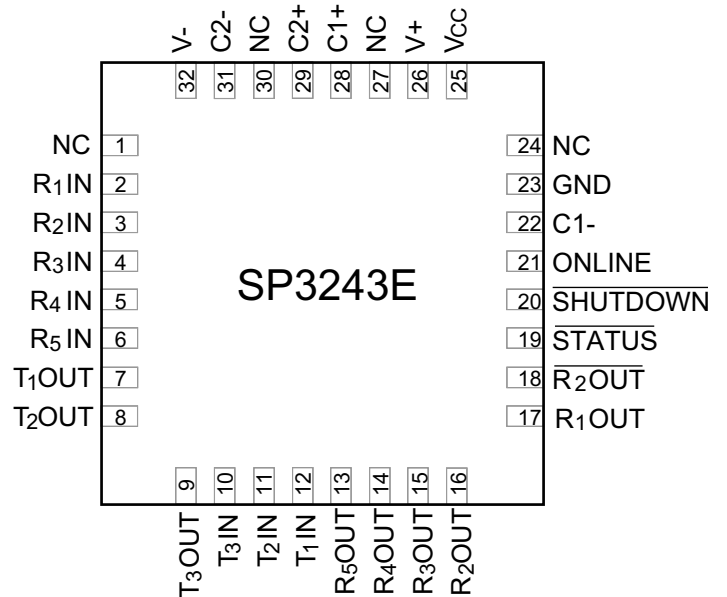


Figure 9: SP3243E Pinout (Top View) QFN32

Pin Descriptions

Table 5: Device Pin Descriptions

| Name | Function | Pin Number | |
|-----------------------|------------------------------------------------------------------------------------------------------------------------------------------------------------------------|------------------------|----------------|
| | | SP3243E SSOP and TSSOP | SP3243EUCR QFN |
| C1+ | Positive terminal of the voltage doubler charge-pump capacitor | 28 | 28 |
| V+ | Regulated +5.5V output generated by the charge pump | 27 | 26 |
| C1- | Negative terminal of the voltage doubler charge-pump capacitor | 24 | 22 |
| C2+ | Positive terminal of the inverting charge-pump capacitor | 1 | 29 |
| C2- | Negative terminal of the inverting charge-pump capacitor | 2 | 31 |
| V- | Regulated -5.5V output generated by the charge pump | 3 | 32 |
| R ₁ IN | RS-232 receiver input | 4 | 2 |
| R ₂ IN | RS-232 receiver input | 5 | 3 |
| R ₃ IN | RS-232 receiver input | 6 | 4 |
| R ₄ IN | RS-232 receiver input | 7 | 5 |
| R ₅ IN | RS-232 receiver input | 8 | 6 |
| R ₁ OUT | TTL / CMOS receiver output | 19 | 17 |
| R ₂ OUT | TTL / CMOS receiver output | 18 | 16 |
| $\overline{R_2}$ OUT | Non-inverting receiver-2 output, active in shutdown | 20 | 18 |
| R ₃ OUT | TTL / CMOS receiver output | 17 | 15 |
| R ₄ OUT | TTL / CMOS receiver output | 16 | 14 |
| R ₅ OUT | TTL / CMOS receiver output | 15 | 13 |
| \overline{STATUS} | TTL / CMOS output indicating online and shutdown status | 21 | 19 |
| T ₁ IN | TTL / CMOS driver input | 14 | 12 |
| T ₂ IN | TTL / CMOS driver input | 13 | 11 |
| T ₃ IN | TTL / CMOS driver input | 12 | 10 |
| \overline{ONLINE} | Apply logic HIGH to override AUTO ON-LINE circuitry keeping drivers active ($\overline{SHUTDOWN}$ must also be logic HIGH, refer to Table 6) | 23 | 21 |
| T ₁ OUT | RS-232 driver output | 9 | 7 |
| T ₂ OUT | RS-232 driver output | 10 | 8 |
| T ₃ OUT | RS-232 driver output | 11 | 9 |
| GND | Ground | 25 | 23 |
| V _{CC} | +3.0V to +5.5V supply voltage | 26 | 25 |
| $\overline{SHUTDOWN}$ | Apply logic LOW to $\overline{SHUTDOWN}$ driver and charge pump. This overrides all AUTO ON-LINE circuitry and \overline{ONLINE} (Refer to Table 6) | 22 | 20 |
| NC | No connection | - | 1, 24, 27, 30 |

Typical Operating Circuit

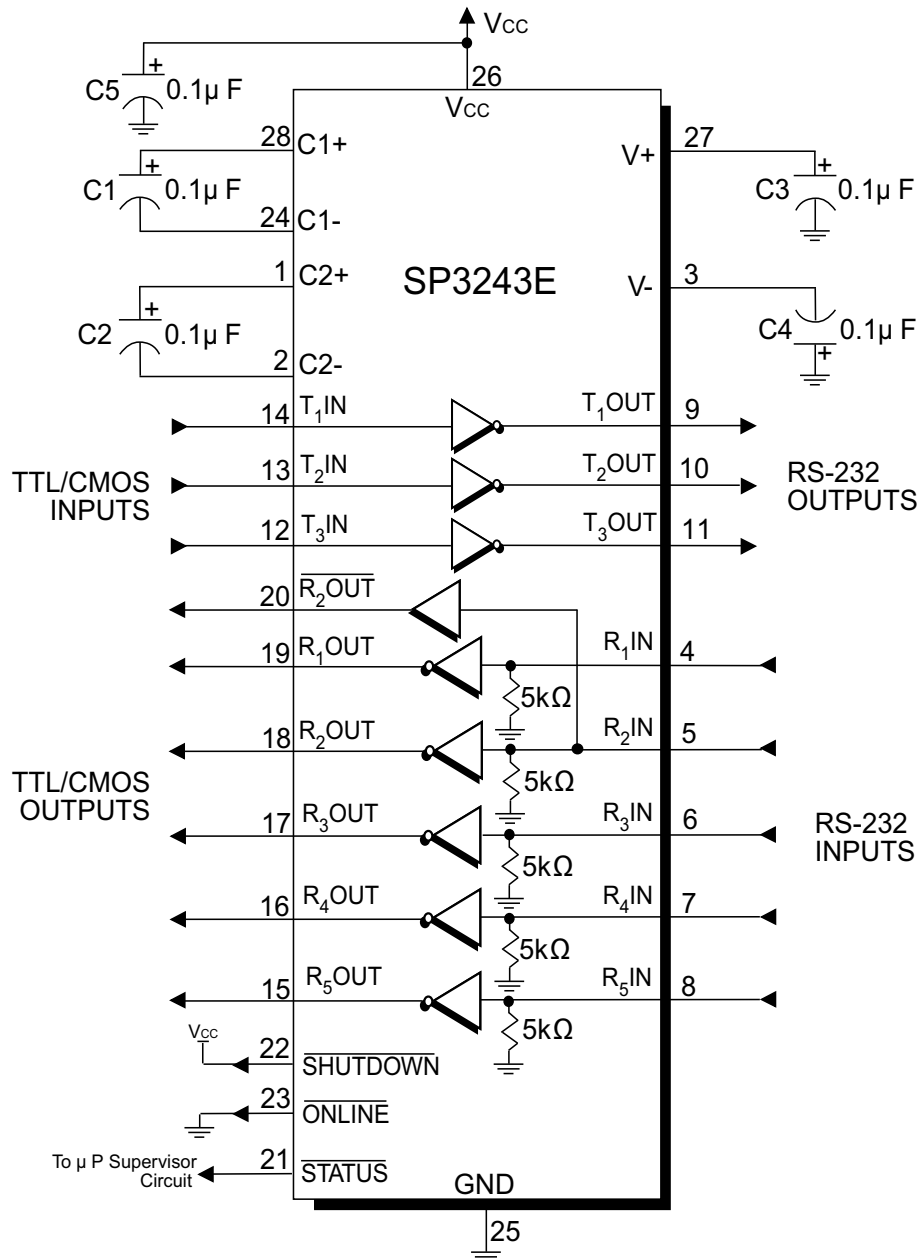


Figure 10: SP3243E Typical Operating Circuit

Description

The SP3243E transceivers meet the EIA / TIA-232 and ITU-T V.28 / V.24 communication protocols and can be implemented in battery-powered, portable or hand-held applications such as notebook or palmtop computers. The SP3243E devices feature MaxLinear's proprietary and patented (U.S. 5,306,954) on-board charge pump circuitry that generates $\pm 5.5V$ RS-232 voltage levels from a single +3.0V to +5.5V power supply. The SP3243EU device can operate at a data rate of 1000kbps fully loaded.

The SP3243E is a 3-driver / 5-receiver device, ideal for portable or hand-held applications. The SP3243E includes one complementary always-active receiver that can monitor an external device (such as a modem) in shutdown. This aids in protecting the UART or serial

controller IC by preventing forward biasing of the protection diodes where V_{CC} may be disconnected.

The SP3243E series is an ideal choice for power sensitive designs. The SP3243E devices feature AUTO ON-LINE circuitry which reduces the power supply drain to a $1\mu A$ supply current.

In many portable or hand-held applications, an RS-232 cable can be disconnected or a connected peripheral can be turned off. Under these conditions, the internal charge pump and the drivers will be shut down. Otherwise, the system automatically comes online. This feature allows design engineers to address power saving concerns without major design changes.

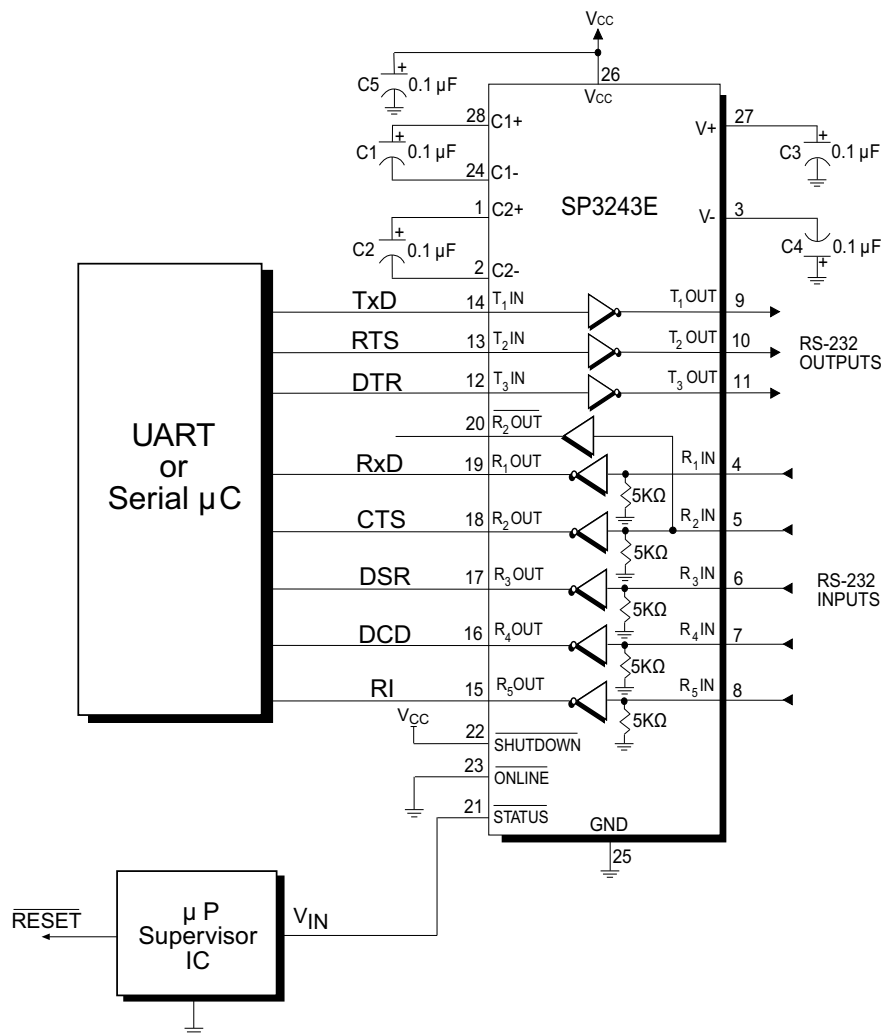


Figure 11: Interface Circuitry Controlled by Microprocessor Supervisory Circuit

Theory of Operation

The SP3243E series is made up of four basic circuit blocks:

1. Drivers
2. Receivers
3. The MaxLinear proprietary charge pump
4. AUTO ON-LINE circuitry

Drivers

The drivers are inverting level transmitters that convert TTL or CMOS logic levels to 5.0V EIA / TIA-232 levels with an inverted sense relative to the input logic levels. Typically, the RS-232 output voltage swing is $\pm 5.4V$ with no load and $\pm 5V$ minimum fully loaded. The driver outputs are protected against infinite short-circuits to ground without degradation in reliability. These drivers comply with the EIA-TIA-232-F and all previous RS-232 versions. Unused drivers inputs should be connected to GND or V_{CC} .

The drivers have a minimum data rate of 250kbps (EB) or 1000kbps (EU) fully loaded.

Figure 12 shows a loopback test circuit used to test the RS-232 Drivers. Figure 13 shows the test results where one driver was active at 1Mbps and all three drivers were loaded with an RS-232 receiver in parallel with a 250pF capacitor. Figure 14 shows the test results of the loopback circuit with all drivers active at 250kbps with typical RS-232 loads in parallel with 1000pF capacitors. A superior RS-232 data transmission rate of 1Mbps makes the SP3243EU an ideal match for high speed LAN and personal computer peripheral applications.

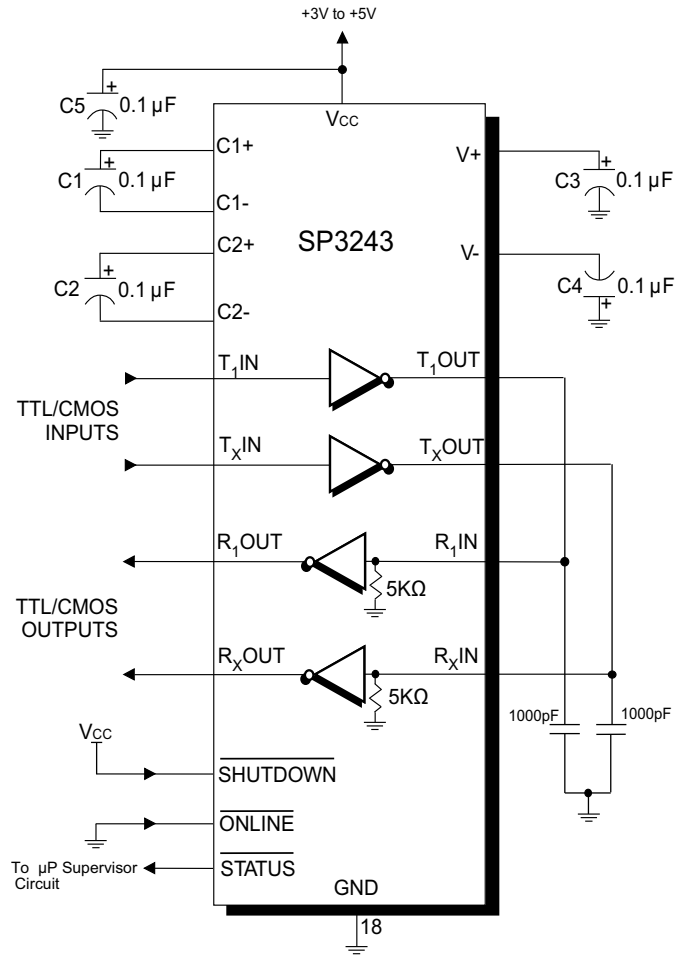


Figure 12: Loopback Test Circuit for RS-232 Driver Data Transmission Rates

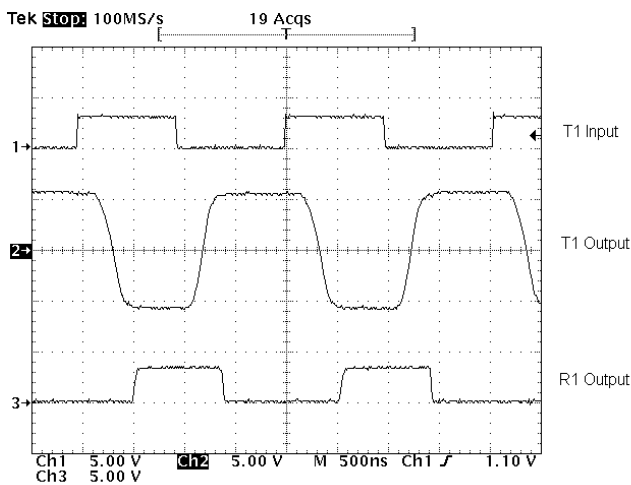


Figure 13: Loopback Test Results at 1Mbps

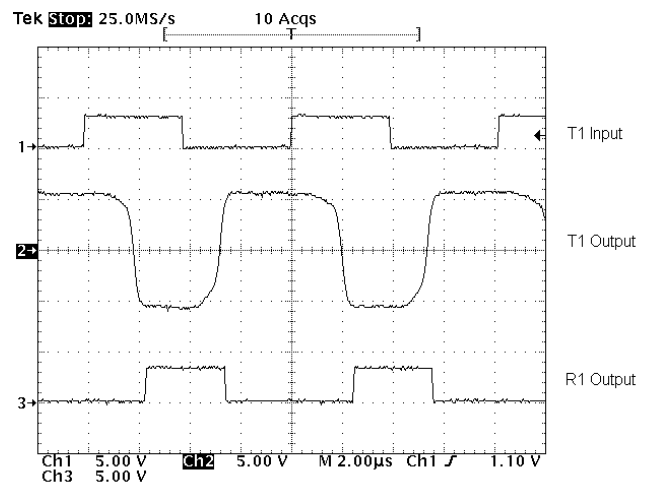


Figure 14: Loopback Test Results at 250kbps

Receivers

The receivers convert $\pm 5.0V$ EIA / TIA-232 levels to TTL or CMOS logic output levels. Receivers are High-Z when the AUTO ON-LINE circuitry is enabled or when in shutdown. The truth table logic of the SP3243 driver and receiver outputs can be found in [Table 6](#).

Table 6: SP3243E SHUTDOWN Truth Table

| SHUTDOWN | TxOUT | RxOUT | R2OUT |
|----------|--------|--------|--------|
| 0 | High-Z | High-Z | Active |
| 1 | Active | Active | Active |

1. In AUTO ON-LINE Mode where $\overline{\text{ONLINE}} = \text{GND}$ and $\overline{\text{SHUTDOWN}} = V_{CC}$, the device will shut down if there is no activity present at the receiver inputs.

The SP3243E includes an additional non-inverting receiver with an output $\overline{\text{R}}_2\text{OUT}$. $\overline{\text{R}}_2\text{OUT}$ is an extra output that remains active and monitors activity while the other receiver outputs are forced into high impedance. This allows a Ring Indicator (RI) signal from a peripheral to be monitored without forward biasing the TTL / CMOS inputs of the other devices connected to the receiver outputs.

Since receiver input is usually from a transmission line where long cable lengths and system interference can degrade the signal, the inputs have a typical hysteresis margin of 300mV. This ensures that the receiver is virtually immune to noisy transmission lines. Should an input be left unconnected, an internal 5k Ω pull-down resistor to ground will commit the output of the receiver to a HIGH state.

Charge Pump

The charge pump is a MaxLinear-patented design (U.S. 5,306,954) and uses a unique approach compared to older, less-efficient designs. The charge pump still requires four external capacitors, but uses a four-phase voltage shifting technique to attain symmetrical 5.5V power supplies. The internal power supply consists of a regulated dual charge pump that provides output voltages of 5.5V regardless of the input voltage (V_{CC}) over the +3.0V to +5.5V range. This is important to maintain compliant RS-232 levels regardless of power supply fluctuations.

The charge pump operates in a discontinuous mode using an internal oscillator. If the output voltages are less than a magnitude of 5.5V, the charge pump is enabled. If the output voltages exceed a magnitude of 5.5V, the charge

pump is disabled. This oscillator controls the four phases of the voltage shifting. A description of each phase follows.

Phase 1: V_{SS} Charge Storage

During this phase of the clock cycle, the positive side of capacitors C_1 and C_2 are initially charged to V_{CC} . C_1^+ is then switched to GND and the charge in C_1^- is transferred to C_2^- . Since C_2^+ is connected to V_{CC} , the voltage potential across capacitor C_2 is now 2 times V_{CC} .

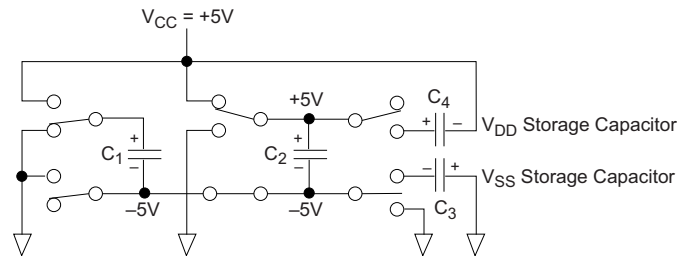


Figure 15: Charge Pump — Phase 1

Phase 2: V_{SS} Transfer

Phase two of the clock connects the negative terminal of C_2 to the V_{SS} storage capacitor and the positive terminal of C_2 to GND. This transfers a negative generated voltage to C_3 . This generated voltage is regulated to a minimum voltage of -5.5V. Simultaneous with the transfer of the voltage to C_3 , the positive side of capacitor C_1 is switched to V_{CC} and the negative side is connected to GND.

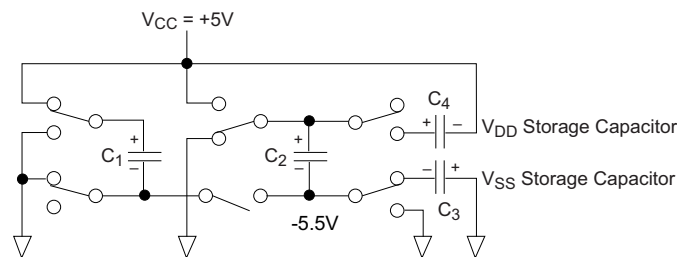


Figure 16: Charge Pump — Phase 2

Phase 3: V_{DD} Charge Storage

The third phase of the clock is identical to the first phase — the charge transferred in C_1 produces $-V_{CC}$ in the negative terminal of C_1 , which is applied to the negative side of capacitor C_2 . Since C_2^+ is at V_{CC} , the voltage potential across C_2 is 2 times V_{CC} .

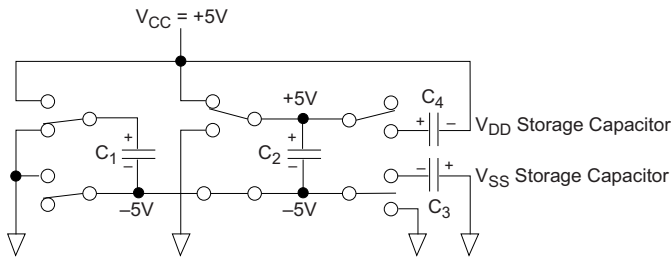


Figure 17: Charge Pump — Phase 3

Phase 4: V_{DD} Transfer

The fourth phase of the clock connects the negative terminal of C_2 to GND, and transfers this positive generated voltage across C_2 to C_4 , the V_{DD} storage capacitor. This voltage is regulated to +5.5V. At this voltage, the internal oscillator is disabled. Simultaneous with the transfer of the voltage to C_4 , the positive side of capacitor C_1 is switched to V_{CC} and the negative side is connected to GND, allowing the charge pump cycle to begin again. The charge pump cycle will continue as long as the operational conditions for the internal oscillator are present.

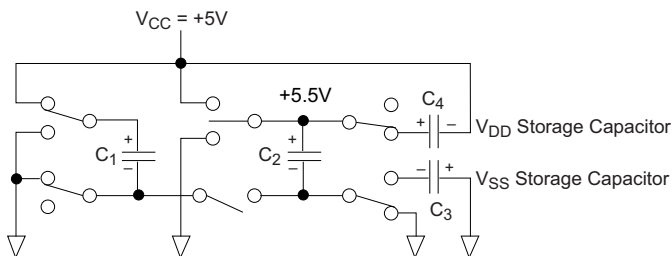


Figure 18: Charge Pump — Phase 4

Since both V^+ and V^- are separately generated from V_{CC} , in a no-load condition V^+ and V^- will be symmetrical. Older charge pump approaches that generate V^- from V^+ will show a decrease in the magnitude of V^- compared to V^+ due to the inherent inefficiencies in the design. The

clock rate for the charge pump typically operates at greater than 250kHz. The external capacitors can be as low as 0.1 μ F with a 16V breakdown voltage rating.

Table 7: Minimum Recommended Charge Pump Capacitor Value

| Input Voltage V_{CC} | Charge Pump Capacitor Value |
|------------------------|-------------------------------------------------------|
| 3.0V to 3.6V | $C_1 - C_4 = 0.1\mu\text{F}$ |
| 4.5V to 5.5V | $C_1 = 0.047\mu\text{F}, C_2 - C_4 = 0.33\mu\text{F}$ |
| 3.0V to 5.5V | $C_1 - C_4 = 0.22\mu\text{F}$ |

The MaxLinear-patented charge pumps are designed to operate reliably with a range of low cost capacitors. Either polarized or non polarized capacitors may be used. If polarized capacitors are used they should be oriented as shown in the Typical Operating Circuit. The V^+ capacitor may be connected to either ground or V_{CC} (polarity reversed.)

The charge pump operates with 0.1 μ F capacitors for 3.3V operation. For other supply voltages, see the table for required capacitor values. Do not use values smaller than those listed. Increasing the capacitor values (for example, by doubling in value) reduces ripple on the transmitter outputs and may slightly reduce power consumption. C_2 , C_3 , and C_4 can be increased without changing C_1 's value.

For best charge pump efficiency, locate the charge pump and bypass capacitors as close as possible to the IC. Surface mount capacitors are best for this purpose. Using capacitors with lower equivalent series resistance (ESR) and self-inductance, along with minimizing parasitic PCB trace inductance, will optimize charge pump operation. Designers are also advised to consider that capacitor values may shift over time and operating temperature.

AUTO ONLINE Circuitry

The SP3243E devices have a patent pending AUTO ON-LINE circuitry on board that saves power in applications such as laptop computers, palmtop (PDA) computers and other portable systems.

The SP3243E devices incorporate an AUTO ON-LINE circuit that automatically enables itself when the external transmitters are enabled and the cable is connected. Conversely, the AUTO ON-LINE circuit also disables most of the internal circuitry when the device is not being used and goes into a standby mode where the device typically draws 1 μ A. This function is externally controlled by the ONLINE pin. When this pin is tied to a logic LOW, the

AUTO ON-LINE function is active. Once active, the device is enabled until there is no activity on the receiver inputs. The receiver input typically sees at least $\pm 3V$, which is generated from the transmitters at the other end of the cable with a $\pm 5V$ minimum.

When the external transmitters are disabled or the cable is disconnected, the receiver inputs will be pulled down by their internal $5k\Omega$ resistors to ground. When this occurs over a period of time, the internal transmitters will be disabled and the device goes into a shutdown or standby mode. When ONLINE is HIGH, the AUTO ON-LINE mode is disabled.

The AUTO ON-LINE circuit has two stages:

1. Inactive Detection
2. Accumulated Delay

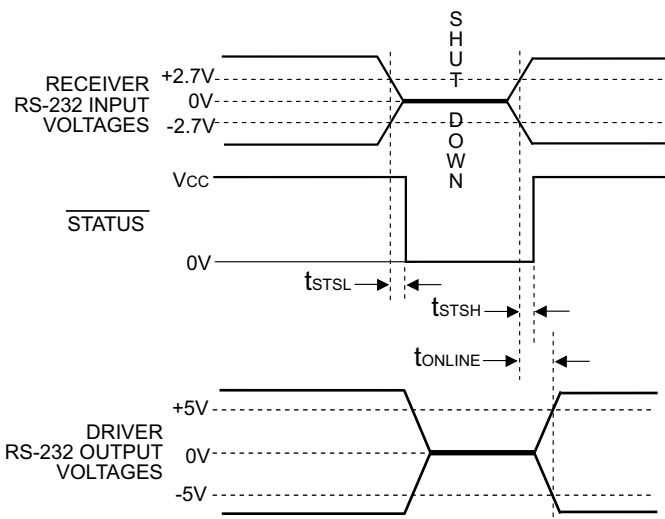


Figure 19: AUTO ON-LINE Timing Waveforms

The first stage, shown in Figure 23, detects an inactive input. A logic HIGH is asserted on R_XINACT if the cable is disconnected or the external transmitters are disabled. Otherwise, R_XINACT will be at a logic LOW. This circuit is duplicated for each of the other receivers.

The second stage of the AUTO ON-LINE circuitry, shown in Figure 24, processes all the receiver's R_XINACT signals with an accumulated delay that disables the device to a $1\mu A$ supply current.

The STATUS pin goes to a logic LOW when the cable is disconnected, the external transmitters are disabled, or the SHUTDOWN pin is invoked. The typical accumulated delay is around $20\mu s$.

When the SP3243E drivers or internal charge pump are

disabled, the supply current is reduced to $1\mu A$. This can commonly occur in hand-held or portable applications where the RS-232 cable is disconnected or the RS-232 drivers of the connected peripheral are turned off.

The AUTO ON-LINE mode can be disabled by the SHUTDOWN pin. If this pin is a logic LOW, the AUTO ON-LINE function will not operate regardless of the logic state of the ONLINE pin. Table 8 summarizes the logic of the AUTO ON-LINE operating modes. The truth table logic of the SP3243E driver and receiver outputs can be found in Table 6.

The STATUS pin outputs a logic LOW signal if the device is shutdown. This pin goes to a logic HIGH when the external transmitters are enabled and the cable is connected.

When the SP3243E devices are shut down, the charge pumps are turned off. V^+ charge pump output decays to V_{CC} , the V^- output decays to GND. The decay time will depend on the size of capacitors used for the charge pump. Once in shutdown, the time required to exit the shutdown state and have valid V^+ and V^- levels is typically $200\mu s$.

For easy programming, the STATUS can be used to indicate DSR or a Ring Indicator signal. Tying ONLINE and SHUTDOWN together will bypass the AUTO ON-LINE circuitry so this connection acts like a shutdown input pin.

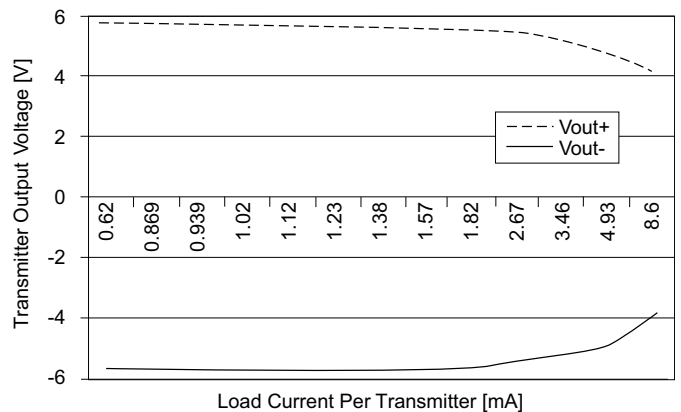


Figure 20: SP3243E Driver Output Voltages vs. Load Current per Transmitter

The SP3243E driver outputs are able to maintain voltage under loading of up to $2.5mA$ per driver, ensuring sufficient output for mouse-driving applications.

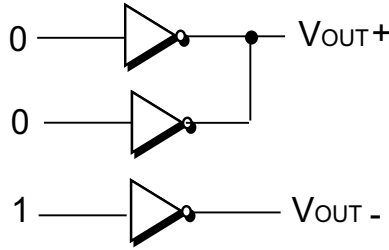


Figure 21: Mouse Drive Application

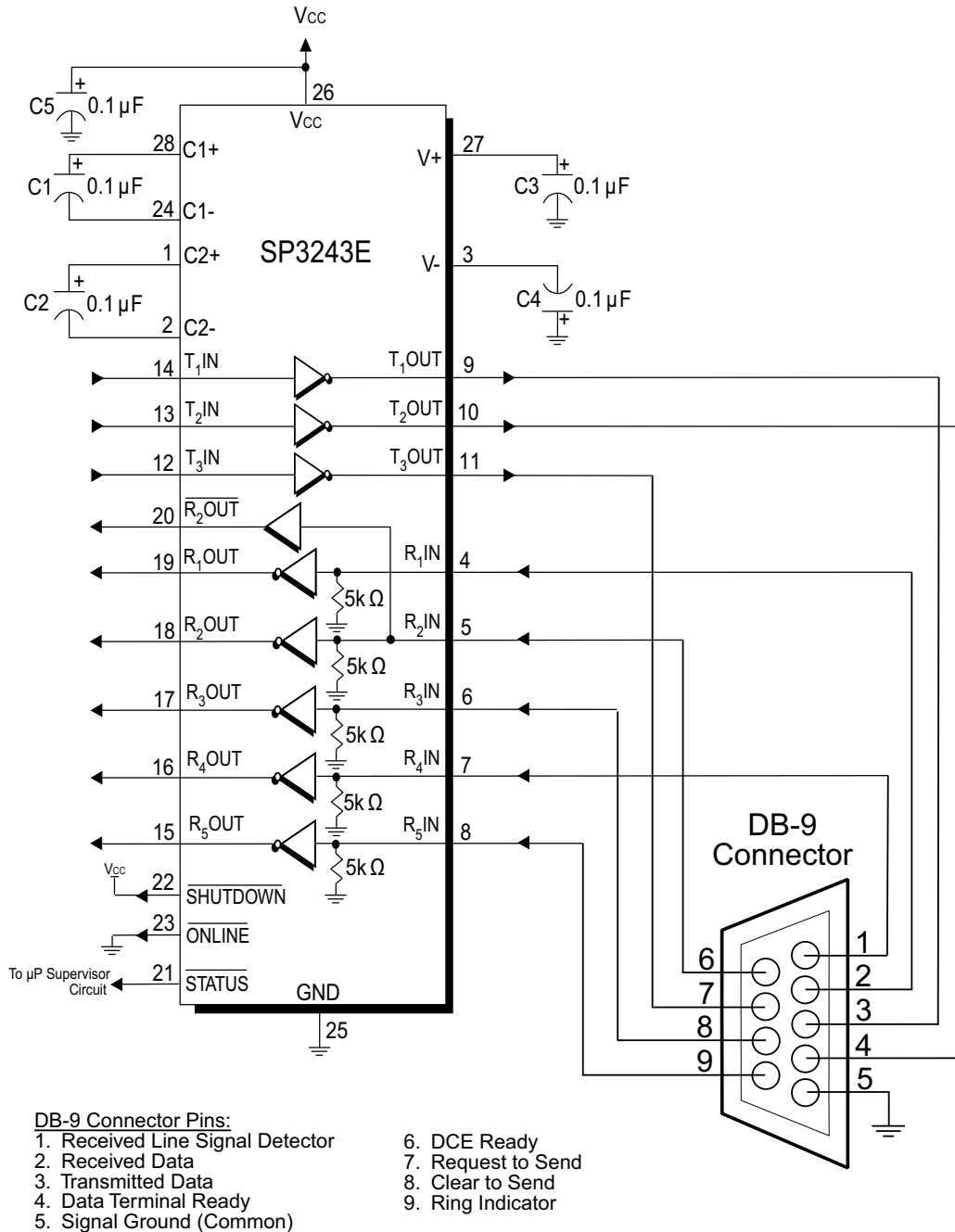


Figure 22: Attaching SP3243E to a DB-9 Connector

Table 8: AUTO ON-LINE Logic

| RS-232 Signal at Receiver Input | SHUTDOWN Input | ONLINE Input | STATUS Output | Transceiver Status |
|---------------------------------|----------------|--------------|---------------|------------------------------------------|
| Yes | High | Low | High | Normal operation <i>(Auto-Online)</i> |
| No | High | High | Low | Normal operation |
| No | High | Low | Low | Shutdown <i>(Auto-Online)</i> |
| Yes | Low | High / Low | High | Shutdown |
| No | Low | High / Low | Low | Shutdown |

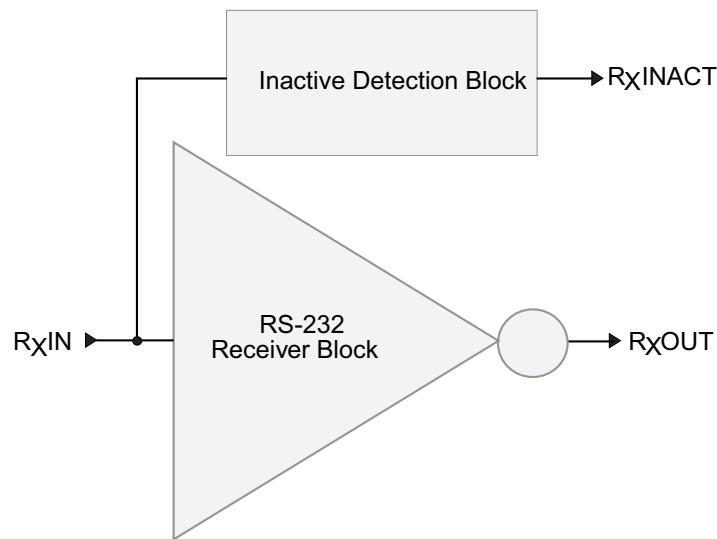


Figure 23: Stage I of AUTO ON-LINE Circuitry

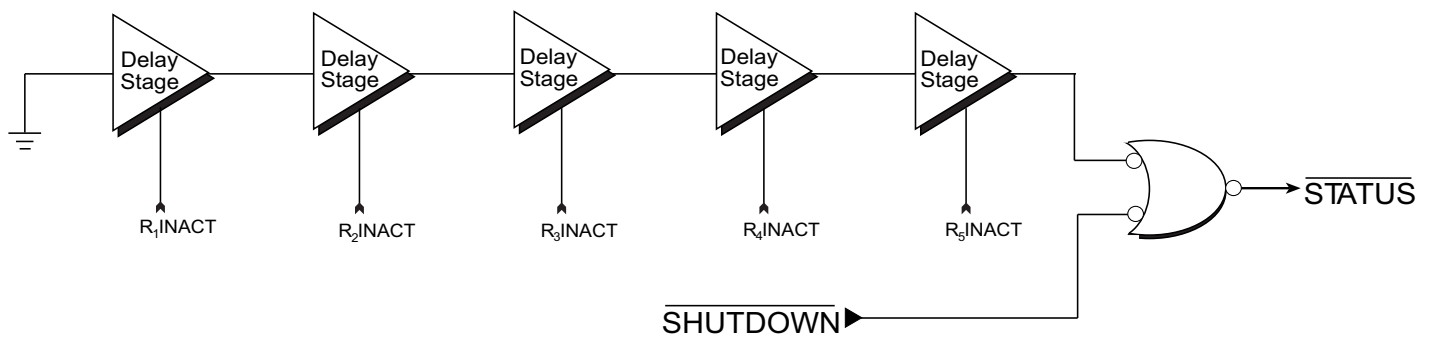


Figure 24: Stage II of AUTO ON-LINE Circuitry

ESD Tolerance

The SP3243E series incorporates ruggedized ESD cells on all driver output and receiver input pins. The ESD structure is improved over our previous family for more rugged applications and environments sensitive to electro-static discharges and associated transients. The improved ESD tolerance is at least $\pm 15\text{kV}$ without damage nor latch-up.

There are different methods of ESD testing applied:

- a. MIL-STD-883, Method 3015.7
- b. IEC61000-4-2 Air-Discharge
- c. IEC61000-4-2 Direct Contact

The Human Body Model has been the generally accepted ESD testing method for semiconductors. This method is also specified in MIL-STD-883, Method 3015.7 for ESD testing. The premise of this ESD test is to simulate the human body's potential to store electro-static energy and discharge it to an integrated circuit. The simulation is performed by using a test model as shown in [Figure 25](#). This method will test the IC's capability to withstand an ESD transient during normal handling such as in manufacturing areas where the ICs tend to be handled frequently.

The IEC-61000-4-2, formerly IEC801-2, is generally used for testing ESD on equipment and systems. For system manufacturers, they must guarantee a certain amount of ESD protection since the system itself is exposed to the outside environment and human presence. The premise with IEC61000-4-2 is that the system is required to withstand an amount of static electricity when ESD is applied to points and surfaces of the equipment that are accessible to personnel during normal usage. The transceiver IC receives most of the ESD current when the ESD source is applied to the connector pins. The test circuit for IEC61000-4-2 is shown on [Figure 26](#). There are two methods within IEC61000-4-2, the Air Discharge method and the Contact Discharge method.

With the Air Discharge Method, an ESD voltage is applied to the equipment under test (EUT) through air. This simulates an electrically charged person ready to connect a cable onto the rear of the system only to find an unpleasant zap just before the person touches the back panel. The high energy potential on the person discharges through an arcing path to the rear panel of the system before he or she even touches the system. This energy, whether discharged directly or through air, is predominantly a function of the discharge current rather than the discharge voltage. Variables with an air discharge such as approach speed of the object carrying the ESD potential to the system and

humidity will tend to change the discharge current. For example, the rise time of the discharge current varies with the approach speed.

The Contact Discharge Method applies the ESD current directly to the EUT. This method was devised to reduce the unpredictability of the ESD arc. The discharge current rise time is constant since the energy is directly transferred without the air-gap arc. In situations such as hand held systems, the ESD charge can be directly discharged to the equipment from a person already holding the equipment. The current is transferred on to the keypad or the serial port of the equipment directly and then travels through the PCB and finally to the IC.

The circuit models in [Figure 25](#) and [Figure 26](#) represent the typical ESD testing circuit used for all three methods. The C_S is initially charged with the DC power supply when the first switch (SW1) is on. Now that the capacitor is charged, the second switch (SW2) is on while SW1 switches off. The voltage stored in the capacitor is then applied through R_S , the current limiting resistor, onto the device under test (DUT). In ESD tests, the SW2 switch is pulsed so that the device under test receives a duration of voltage.

For the Human Body Model, the current limiting resistor (R_S) and the source capacitor (C_S) are $1.5\text{k}\Omega$ and 100pF , respectively. For IEC-61000-4-2, the current limiting resistor (R_S) and the source capacitor (C_S) are 330Ω and 150pF , respectively.

The higher C_S value and lower R_S value in the IEC61000-4-2 model are more stringent than the Human Body Model. The larger storage capacitor injects a higher voltage to the test point when SW2 is switched on. The lower current limiting resistor increases the current charge onto the test point.

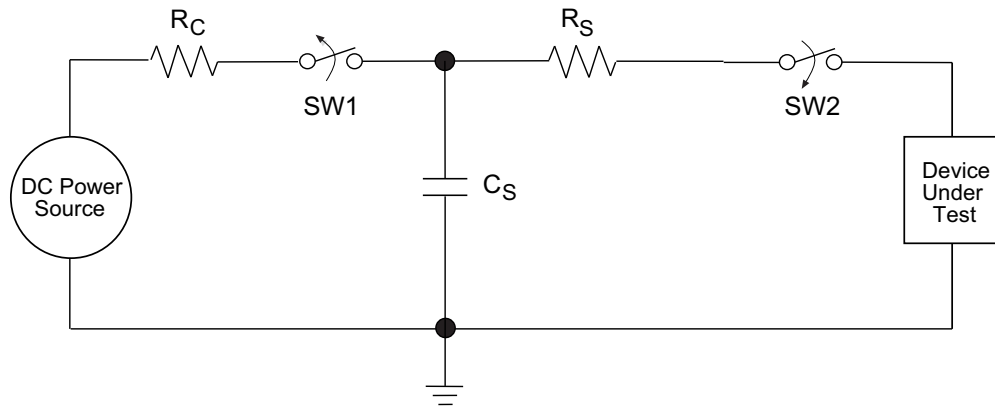


Figure 25: ESD Test Circuit for Human Body Model

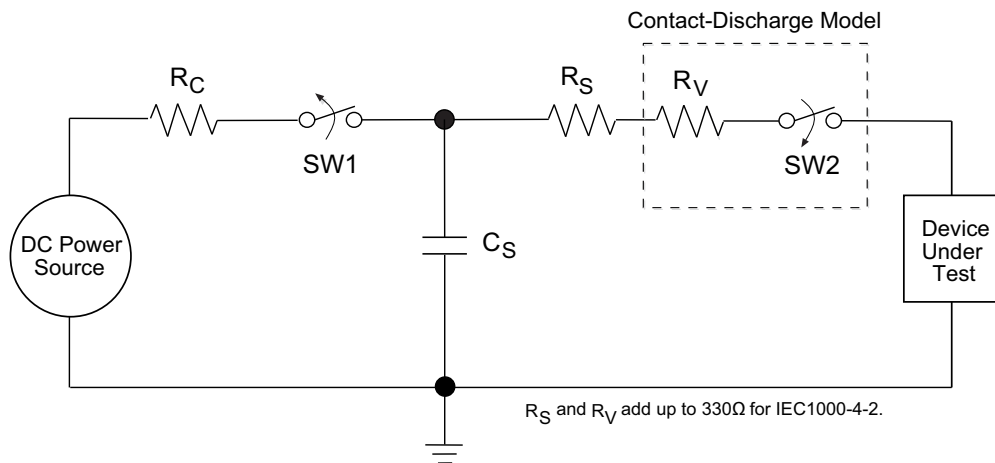


Figure 26: ESD Test Circuit for IEC61000-4-2

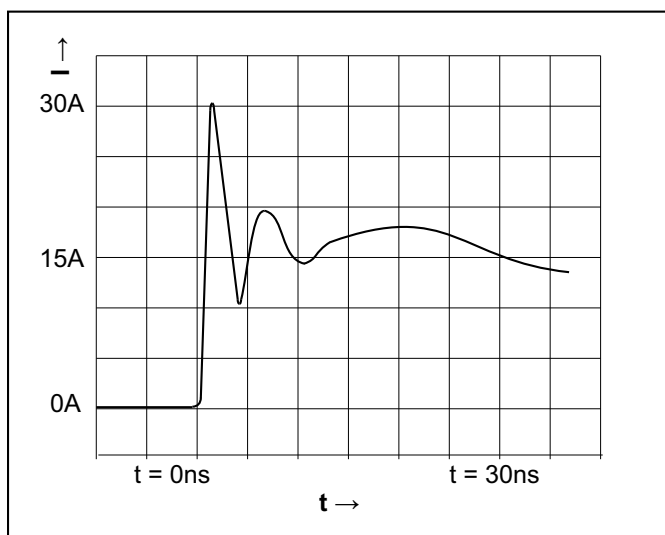


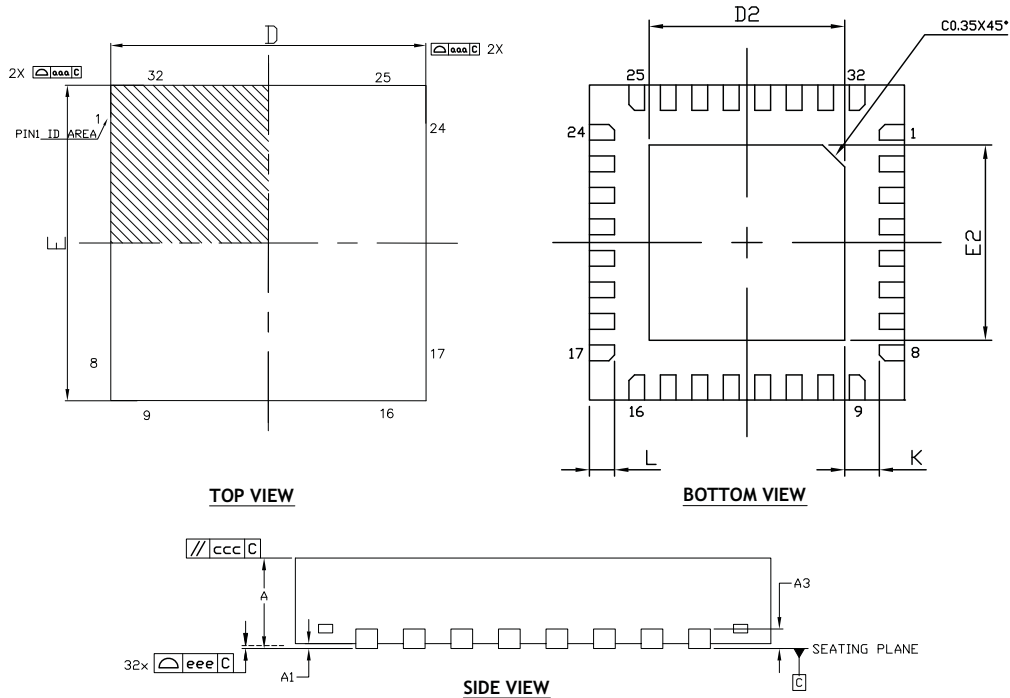
Figure 27: ESD Test Waveform for IEC61000-4-2

Table 9: Transceiver ESD Tolerance Levels

| Device Pin Tested | Human Body Model | IEC 61000-4-2 | | |
|-------------------|------------------|---------------|----------------|-------|
| | | Air Discharge | Direct Contact | Level |
| Driver outputs | ±15kV | ±15kV | ±8kV | 4 |
| Receiver inputs | ±15kV | ±15kV | ±8kV | 4 |

Mechanical Dimensions

QFN32



| DIM SYMBOL | MIN | NOM | MAX |
|------------|----------|---------|------|
| A | 0.80 | 0.90 | 1.00 |
| A1 | 0.00 | 0.02 | 0.05 |
| A3 | --- | 0.20Ref | --- |
| b | 0.18 | 0.25 | 0.30 |
| D | 5.00 BSC | | |
| E | 5.00 BSC | | |
| e | 0.50 BSC | | |
| D2 | 3.00 | 3.10 | 3.20 |
| E2 | 3.00 | 3.10 | 3.20 |
| L | 0.35 | 0.40 | 0.45 |
| K | 0.20 | - | - |
| aaa | | 0.15 | |
| bbb | | 0.10 | |
| ccc | | 0.10 | |
| ddd | | 0.05 | |
| eee | | 0.08 | |
| fff | | 0.10 | |
| N | | 32 | |

TERMINAL DETAILS

- ALL DIMENSIONS ARE IN MILLIMETERS, ANGLES ARE IN DEGREES.
- DIMENSIONS AND TOLERANCE PER JEDEC MO-220.

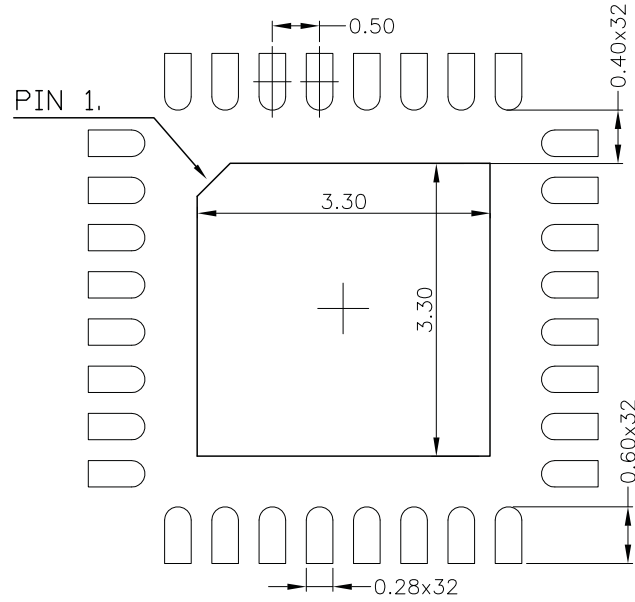
Drawing No.: POD-00000036

Revision: B

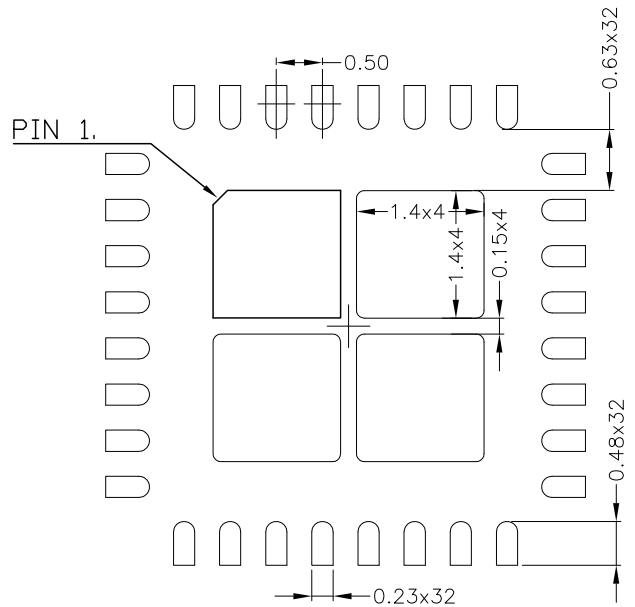
Figure 28: Mechanical Dimensions, QFN32

Recommended Land Pattern and Stencil

QFN32



TYPICAL RECOMMENDED LAND PATTERN



TYPICAL RECOMMENDED STENCIL

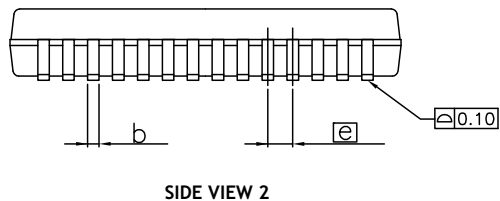
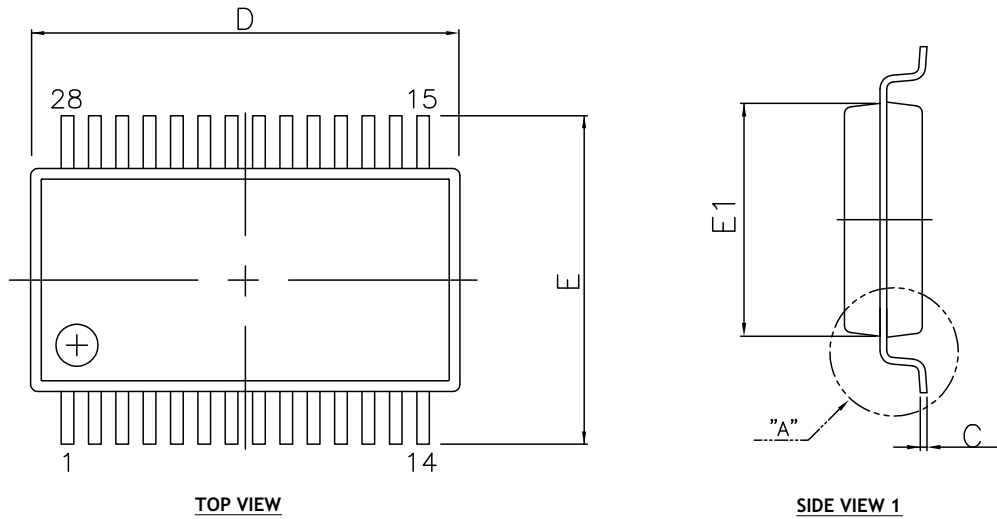
Drawing No.: POD-00000036

Revision: B

Figure 29: Recommended Land Pattern and Stencil, QFN32

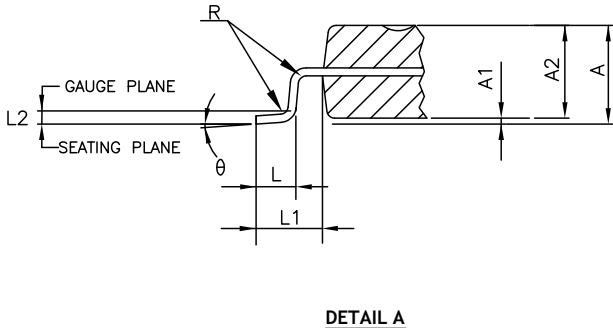
Mechanical Dimensions

SSOP28



| DIM SYMBOL | MIN | NOM | MAX |
|------------|----------|-------|-------|
| A | - | - | 2.00 |
| A1 | 0.05 | - | - |
| A2 | 1.65 | 1.75 | 1.85 |
| b | 0.22 | - | 0.38 |
| L1 | 1.25 REF | | |
| L2 | 0.25 BSC | | |
| e | 0.65 BSC | | |
| c | 0.09 | - | 0.25 |
| E | 7.40 | 7.80 | 8.20 |
| E1 | 5.00 | 5.30 | 5.60 |
| L | 0.55 | 0.75 | 0.95 |
| R | 0.09 | - | - |
| θ | 0 | 4 | 8 |
| D | 9.90 | 10.20 | 10.50 |
| N | 28 | | |

TERMINAL DETAILS



DETAIL A

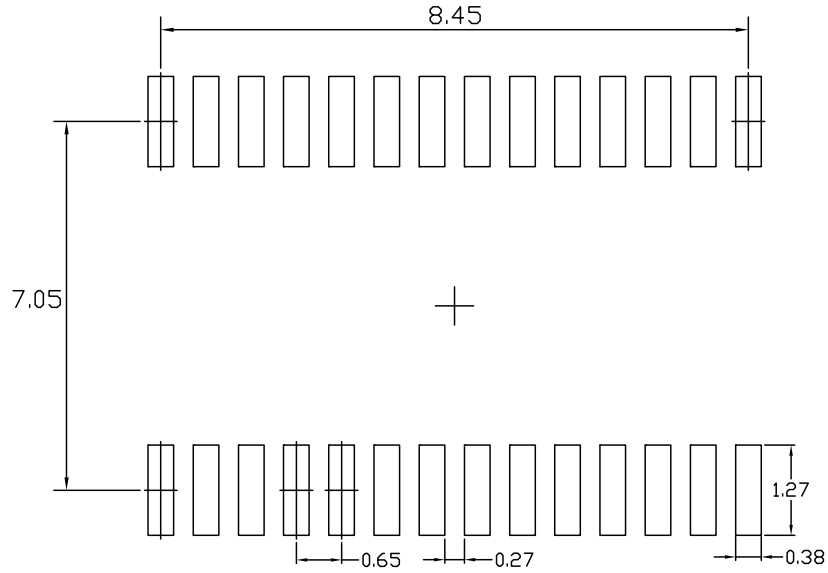
- ALL DIMENSIONS ARE IN MILLIMETERS, ANGLES ARE IN DEGREES.
- DIMENSIONS AND TOLERANCE PER JEDEC MD-150 AH.

Drawing No.: POD-000000 133

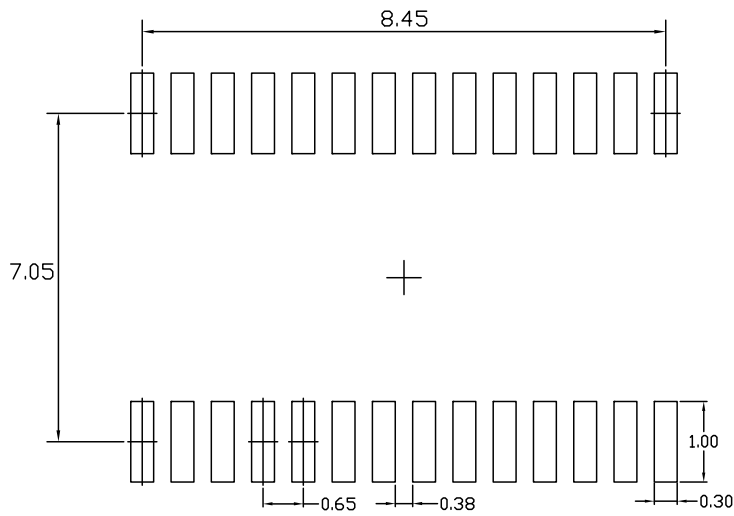
Figure 30: Mechanical Dimensions, SSOP28

Recommended Land Pattern and Stencil

SSOP28



TYPICAL RECOMMENDED LAND PATTERN



TYPICAL RECOMMENDED STENCIL

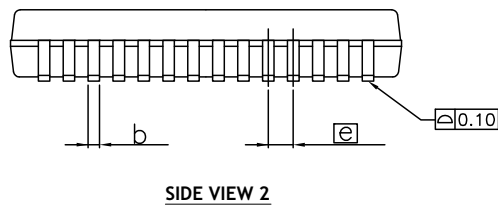
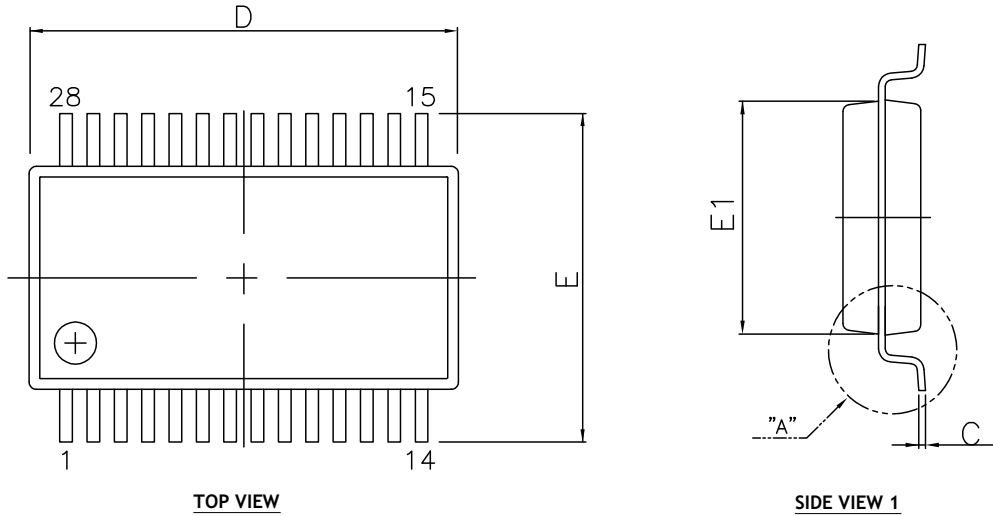
Drawing No.: POD-000000 133

Revision: A

Figure 31: Recommended Land Pattern and Stencil, SSOP28

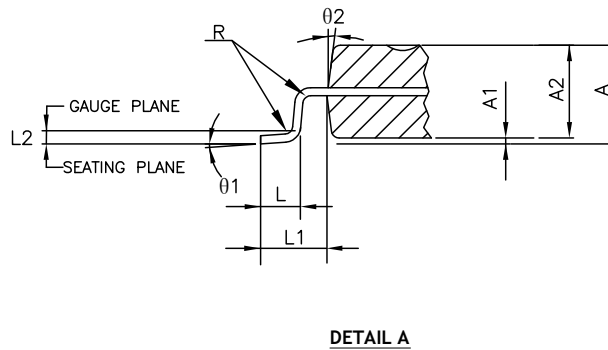
Mechanical Dimensions

TSSOP28



| DIM SYMBOL | MIN | NOM | MAX |
|------------|----------|------|------|
| A | - | - | 1.20 |
| A1 | 0.05 | - | 0.15 |
| A2 | 0.80 | 1.00 | 1.05 |
| b | 0.19 | - | 0.30 |
| L1 | 1.00 REF | | |
| L2 | 0.25 BSC | | |
| e | 0.65 BSC | | |
| c | 0.09 | - | 0.20 |
| E | 6.40 BSC | | |
| E1 | 4.30 | 4.40 | 4.50 |
| L | 0.45 | 0.60 | 0.75 |
| R | 0.09 | - | - |
| D | 9.60 | 9.70 | 9.80 |
| θ1 | 0 | 4 | 8 |
| θ2 | 12 REF | | |
| N | 28 | | |

TERMINAL DETAILS



- ALL DIMENSIONS ARE IN MILLIMETERS, ANGLES ARE IN DEGREES.
- DIMENSIONS AND TOLERANCE PER JEDEC MD-153.

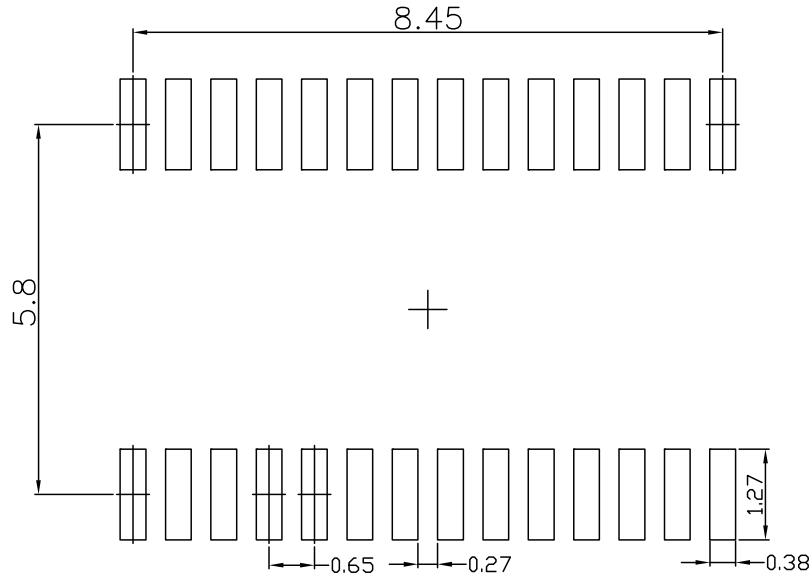
Drawing No.: POD-000000134

Revision: A

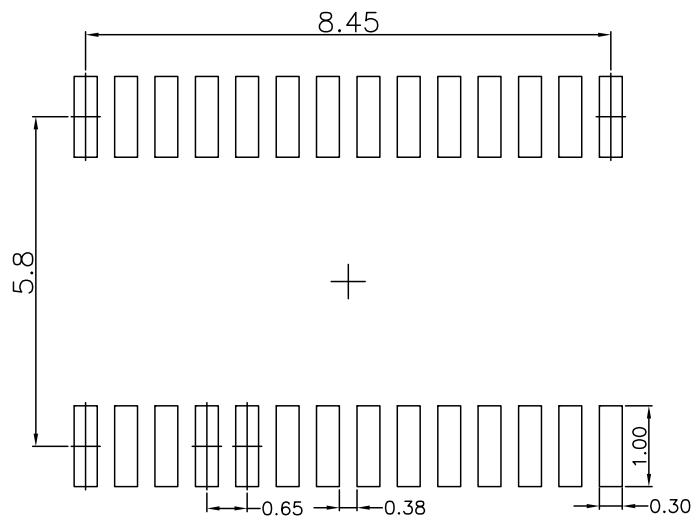
Figure 32: Mechanical Dimensions, TSSOP28

Recommended Land Pattern and Stencil

TSSOP28



TYPICAL RECOMMENDED LAND PATTERN



TYPICAL RECOMMENDED STENCIL

Drawing No.: POD-000000 134

Revision: A

Figure 33: Recommended Land Pattern and Stencil, TSSOP28

Ordering Information

Table 10: Ordering Information

| Ordering Part Number | Operating Temperature Range | Package | Packaging Method | Lead-Free |
|----------------------|-----------------------------|--------------|------------------|-----------|
| 120kbps Data Rate | | | | |
| SP3243ECA-L | 0°C to 70°C | 28-pin SSOP | Tube | Yes |
| SP3243ECA-L/TR | 0°C to 70°C | 28-pin SSOP | Reel | Yes |
| SP3243ECY-L/TR | 0°C to 70°C | 28-pin TSSOP | Reel | Yes |
| SP3243EEA-L | -40°C to 85°C | 28-pin SSOP | Tube | Yes |
| SP3243EEA-L/TR | -40°C to 85°C | 28-pin SSOP | Reel | Yes |
| SP3243EEY-L | -40°C to 85°C | 28-pin TSSOP | Tube | Yes |
| SP3243EEY-L/TR | -40°C to 85°C | 28-pin TSSOP | Reel | Yes |
| 250kbps Data Rate | | | | |
| SP3243EBCA-L/TR | 0°C to 70°C | 28-pin SSOP | Reel | Yes |
| SP3243EBCY-L/TR | 0°C to 70°C | 28-pin TSSOP | Reel | Yes |
| SP3243EBEA-L/TR | -40°C to 85°C | 28-pin SSOP | Reel | Yes |
| SP3243EBEY-L | -40°C to 85°C | 28-pin TSSOP | Tube | Yes |
| SP3243EBEY-L/TR | -40°C to 85°C | 28-pin TSSOP | Reel | Yes |
| 460kbps Data Rate | | | | |
| SP3243EHCA-L/TR | 0°C to 70°C | 28-pin SSOP | Reel | Yes |
| SP3243EHEA-L/TR | -40°C to 85°C | 28-pin SSOP | Reel | Yes |
| 1Mbps Data Rate | | | | |
| SP3243EUCA-L/TR | 0°C to 70°C | 28-pin SSOP | Reel | Yes |
| SP3243EUCY-L/TR | 0°C to 70°C | 28-pin TSSOP | Reel | Yes |
| SP3243EUEA-L/TR | -40°C to 85°C | 28-pin SSOP | Reel | Yes |
| SP3243EUEY-L/TR | -40°C to 85°C | 28-pin TSSOP | Reel | Yes |
| SP3243EUER-L/TR | -40°C to 85°C | 32-pin QFN | Reel | Yes |

Note: For the most up-to-date information and additional information on environment rating, go to www.maxlinear.com/SP3243E, www.maxlinear.com/SP3243EB, www.maxlinear.com/SP3243EH, and www.maxlinear.com/SP3243EU.

SP3243 E U EY-L/TR

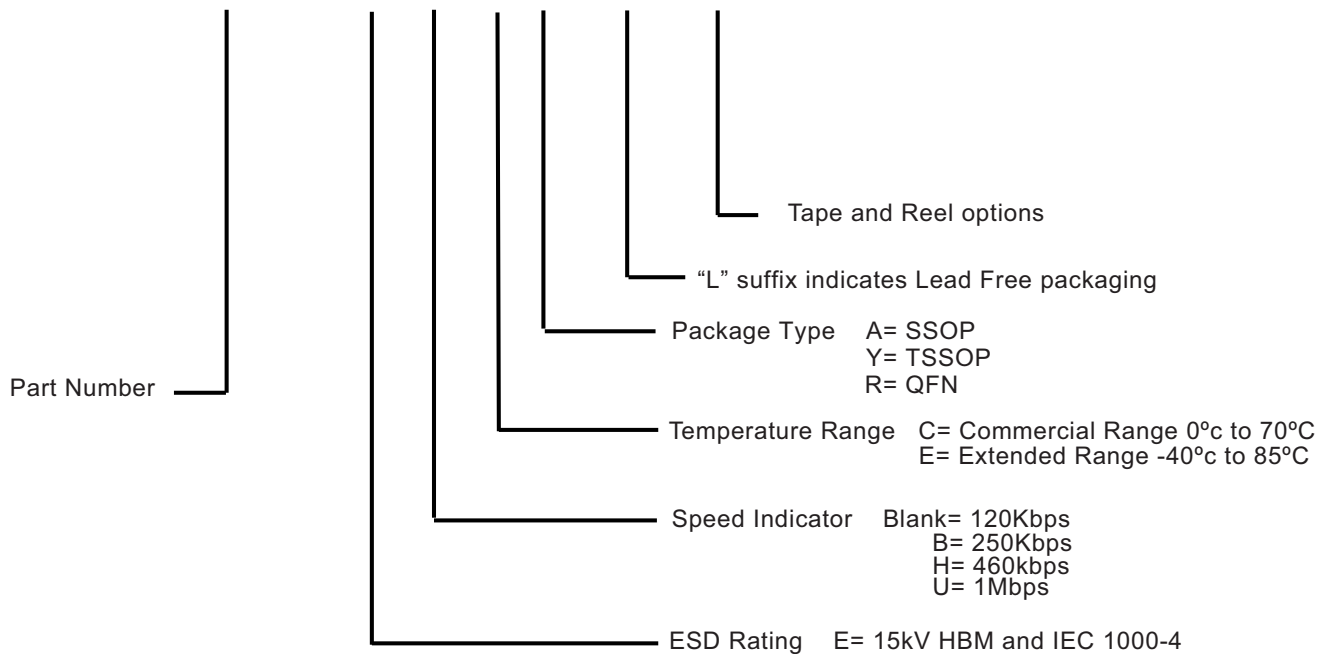


Figure 34: Part Nomenclature



Corporate Headquarters:
 5966 La Place Court, Suite 100
 Carlsbad, CA 92008
 Tel.: +1 (760) 692-0711
 Fax: +1 (760) 444-8598
www.maxlinear.com

The content of this document is furnished for informational use only, is subject to change without notice, and should not be construed as a commitment by MaxLinear, Inc. MaxLinear, Inc. assumes no responsibility or liability for any errors or inaccuracies that may appear in the informational content contained in this guide. Complying with all applicable copyright laws is the responsibility of the user. Without limiting the rights under copyright, no part of this document may be reproduced into, stored in, or introduced into a retrieval system, or transmitted in any form or by any means (electronic, mechanical, photocopying, recording, or otherwise), or for any purpose, without the express written permission of MaxLinear, Inc.

MaxLinear, Inc. does not recommend the use of any of its products in life support applications where the failure or malfunction of the product can reasonably be expected to cause failure of the life support system or to significantly affect its safety or effectiveness. Products are not authorized for use in such applications unless MaxLinear, Inc. receives, in writing, assurances to its satisfaction that: (a) the risk of injury or damage has been minimized; (b) the user assumes all such risks; (c) potential liability of MaxLinear, Inc. is adequately protected under the circumstances.

MaxLinear, Inc. may have patents, patent applications, trademarks, copyrights, or other intellectual property rights covering subject matter in this document. Except as expressly provided in any written license agreement from MaxLinear, Inc., the furnishing of this document does not give you any license to these patents, trademarks, copyrights, or other intellectual property.

MaxLinear, the MaxLinear logo, any MaxLinear trademarks (MxL, Full-Spectrum Capture, FSC, G.now, AirPHY, Puma, and AnyWAN), and the MaxLinear logo on the products sold are all property of MaxLinear, Inc. or one of MaxLinear's subsidiaries in the U.S.A. and other countries. All rights reserved. Other company trademarks and product names appearing herein are the property of their respective owners.