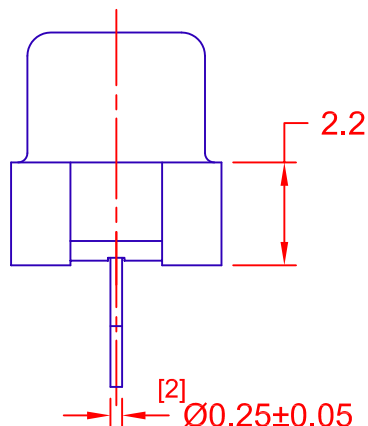
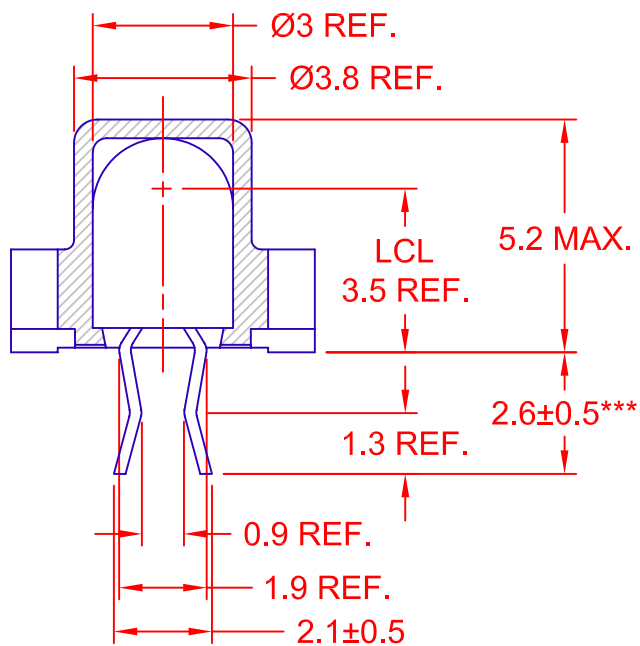
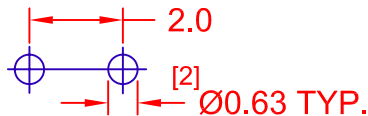
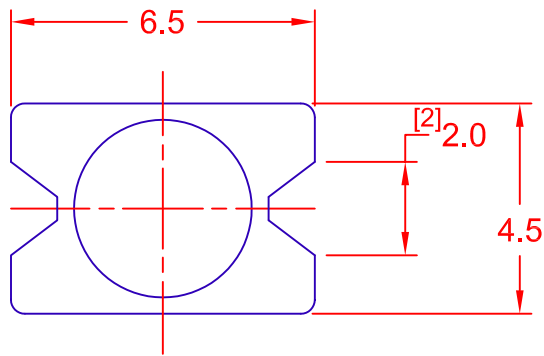


REV.	DESCRIPTION/ECO NO.	DATE
	RELEASE & CANCEL P-0407-16	7/28/04



**JKL PART NUMBER: CSD2-6832FL/39-25-5B**

**LAMP NUMBER: 6832\*\***

VOLTS RATED	AMPS ± 10%	*MSCP ± 25%	*LUMENS ± 25%	AVERAGE LIFE HRS.	FILAMENT TYPE
5.0	.060	.050	.630	20,000****	C-2R

\*LAMP RATING ONLY.

\*\*LAMP GLASS LEAD (Pb) FREE.

\*\*\*CONTROLLED DURING MANUFACTURING PROCESS ONLY.

\*\*\*\*DERIVED FROM ACCELERATED TESTING.

CONTACT JKL FOR LEAD (Pb) FREE LOT IDENTIFICATION.

**FILTER NUMBER: 39-25-5B**

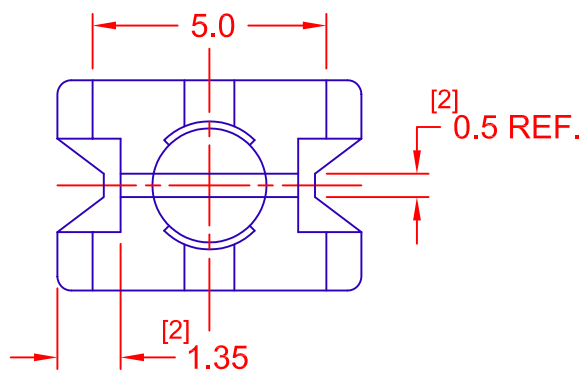
**COLOR COORDINATES**

x = .2549 ± .025

y = .4429 ± .025

**FILTER COLOR**

**TOYOTA  
BLUE/WHITE**



METRIC		DIMENSIONS ARE IN MILLIMETERS		JKL COMPONENTS CORPORATION			
 THIRD ANGLE PROJECTION		TOLERANCE UNLESS OTHERWISE SPECIFIED		TITLE			
		1 PL +/- 0.2 2 PL +/- 0.20 ANGLE +/- 0		T-1 RUBBER BODY LAMP			
DRAWN BY L. WENGSTROM	APPV'D BY J. KAHL	DATE 4/5/05	SIZE A	FSCM NO. 55335	DRAWING NO. CSD2-6832FL/39-25-5B		
- CAD DRAWING - MANUAL REVISIONS NOT PERMITTED			SCALE NONE	RELEASED DATE 4/5/05	REVISION DATE	REV. NO.	SHEET 1 OF 1