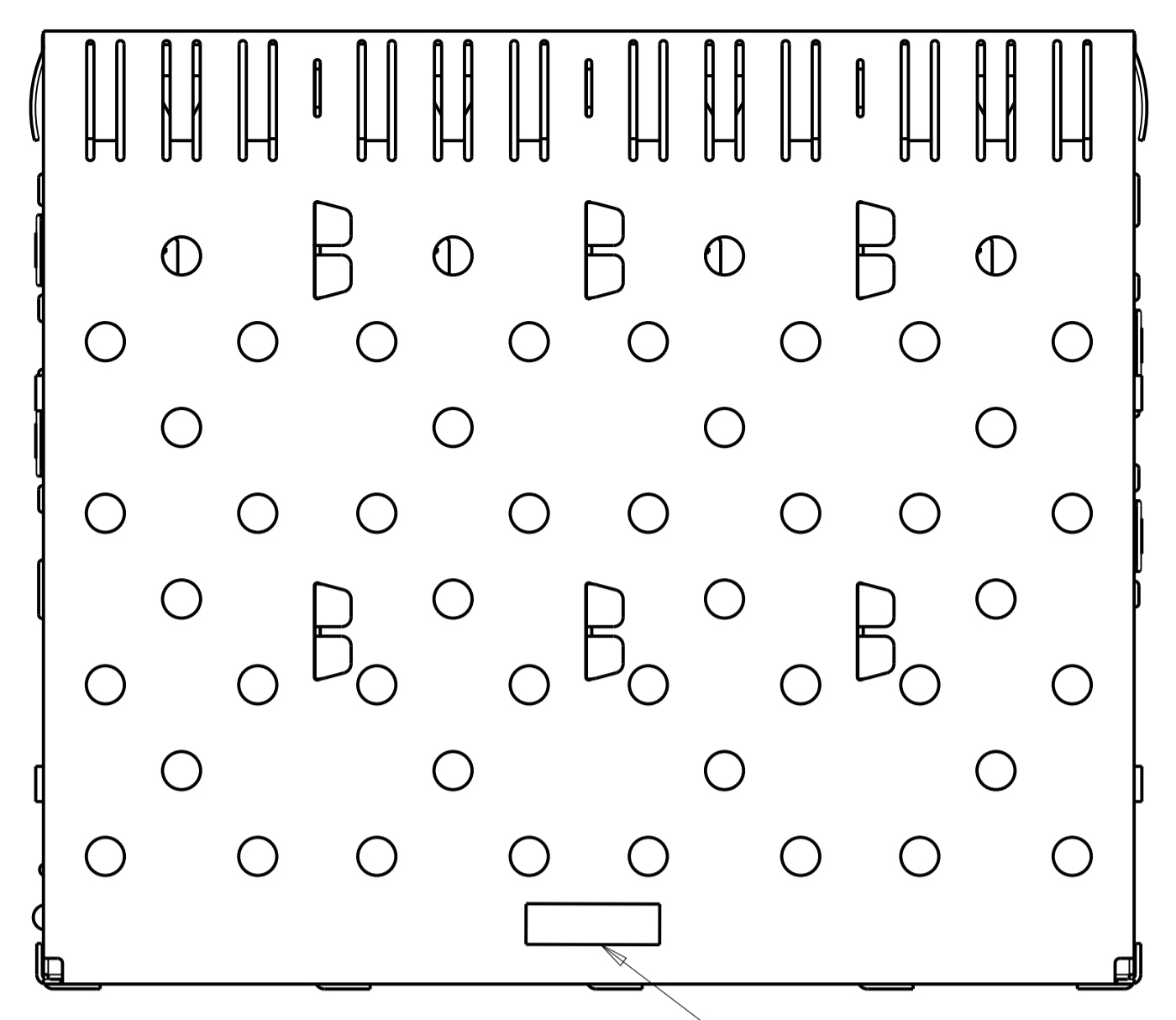
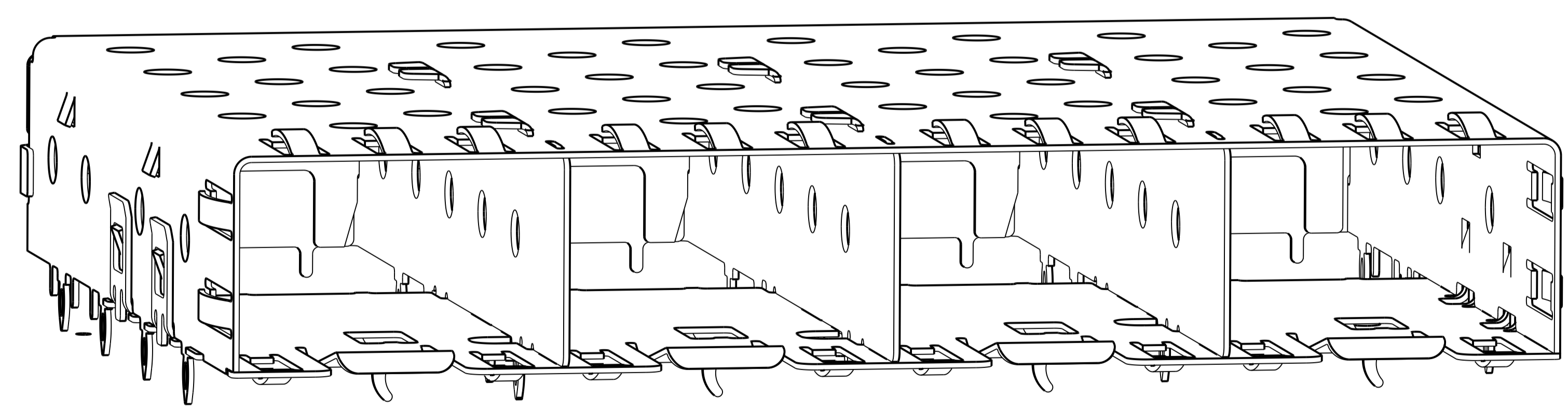
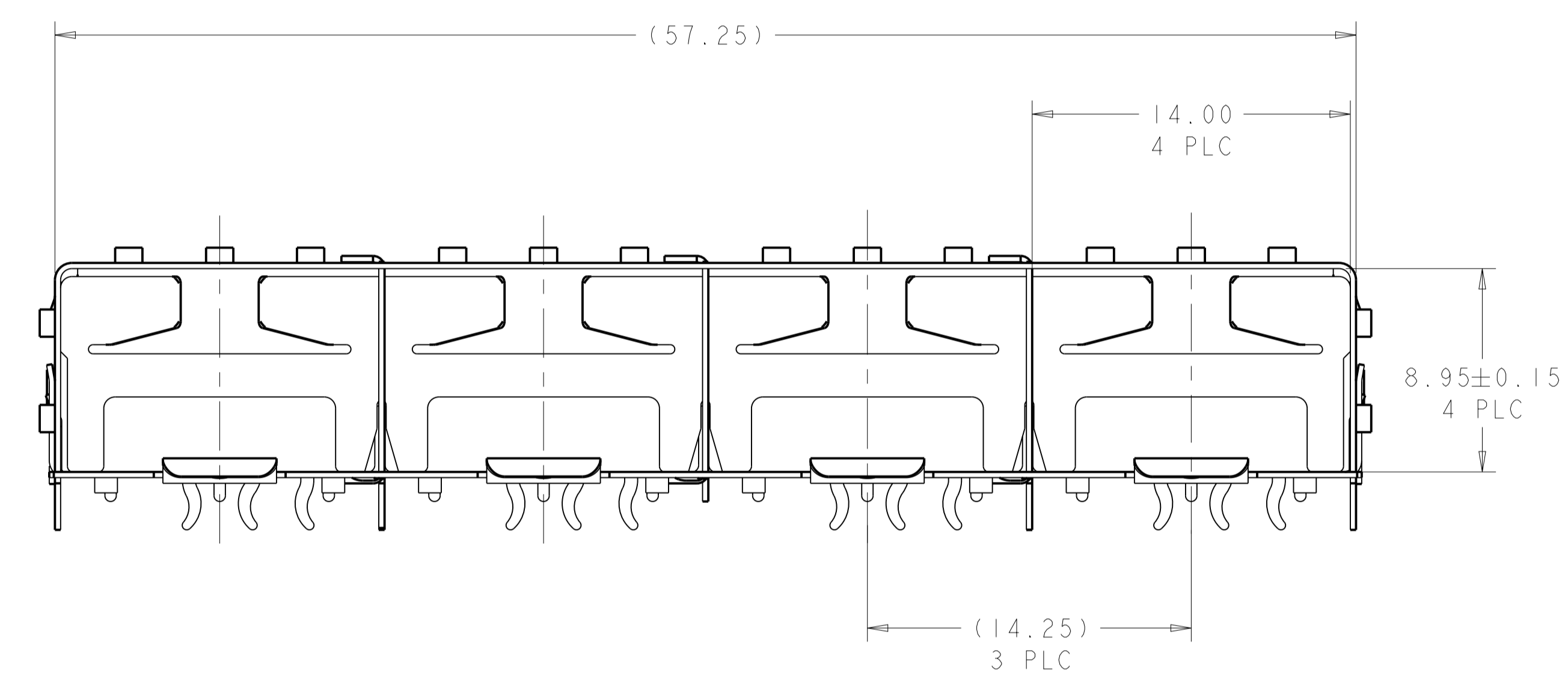
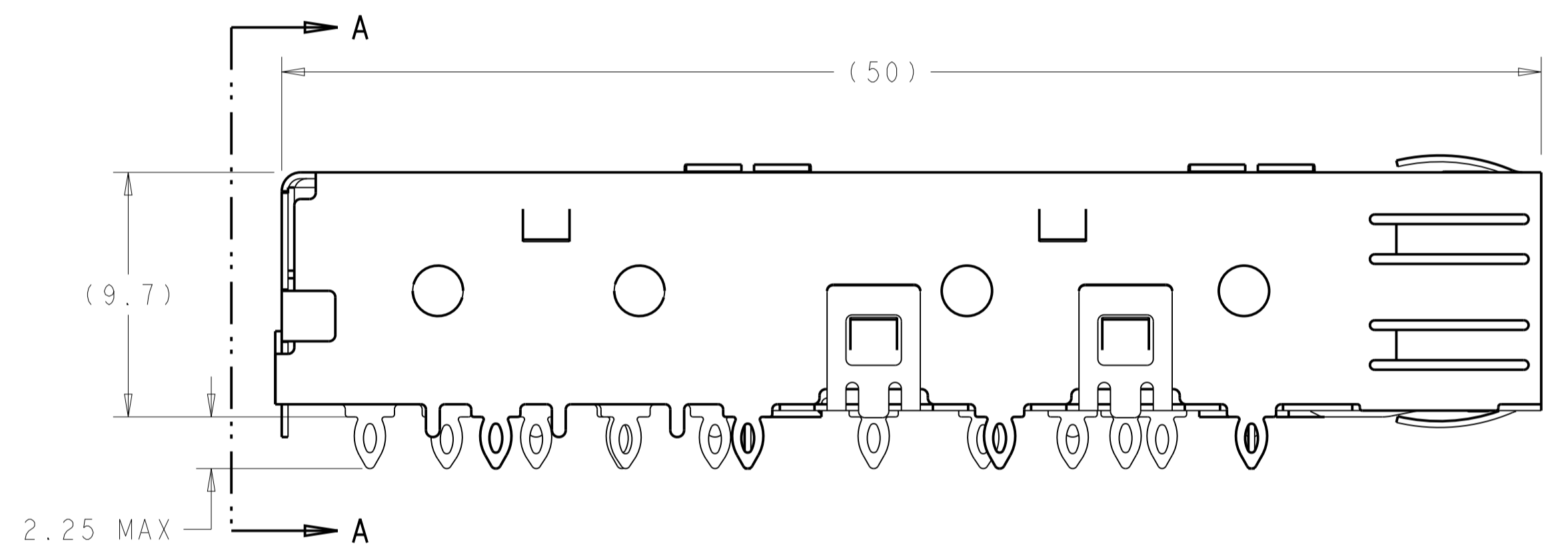


LOC	DIST	REV	DESCRIPTION	DATE	OWN	APVD
GP	00					
G1			REVISED PER ECO-11-003319	01APR2011	JY	CW
H			REVISED PER ECO-12-011010	13JUN2012	JY	AC
J			REVISED PER ECO-14-000886	20FEB2014	JW	SH
J1			REVISED PER ECO-14-010419	11JUL2014	JW	SH

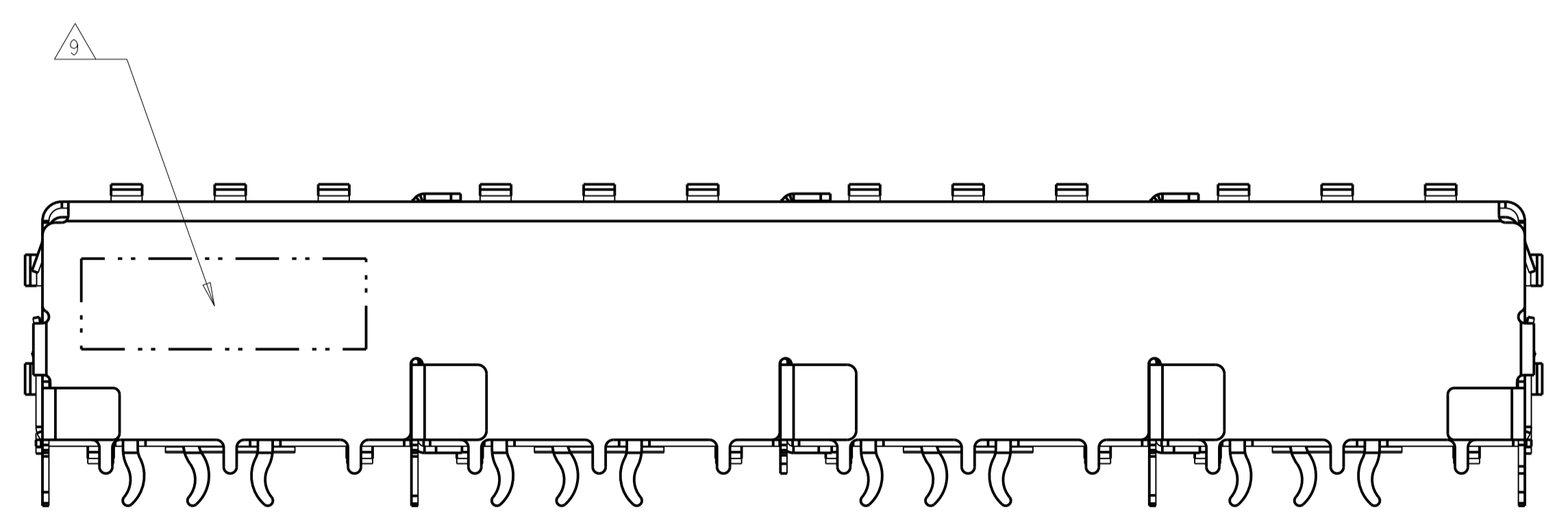


SCALE 3:1 7

- 1 MATERIAL: 0.25 THICK COPPER ALLOY.
- 2 FINISH: TIN PLATING PER ASTM B 545, 1.25um MINIMUM THICKNESS ALL OVER NICKEL FLASH PER QQ-N-290. NONPLATED EDGES PERMISSIBLE.
- 3 PADS AND VIAS CHASSIS GROUND.
- 4 DATUM AND BASIC DIMENSION ESTABLISHED BY CUSTOMER.
- 5 REFERENCE APPLICATION SPEC 114-13120, HOLE A, FOR RECOMMENDED DRILL HOLE DIAMETER AND PLATING THICKNESSES.
- 6 REFERENCE APPLICATION SPEC 114-13120, HOLE B, FOR RECOMMENDED DRILL HOLE DIAMETER AND PLATING THICKNESSES.
- 7 COMPANY LOGO IN APPROXIMATE AREA SHOWN
- 8 PATTERN REPEATS FOR EACH PORT. SPACING BETWEEN PORTS IS 14.25 mm.
- 9 DATE CODE AND PART NUMBER IN APPROXIMATE AREA SHOWN.
- 10 MATERIAL: 0.25 THICK NICKEL SILVER ALLOY(NO PLATING).



1658744-1&-3
 1X4 CAGE ASSEMBLY
 SCALE 6:1



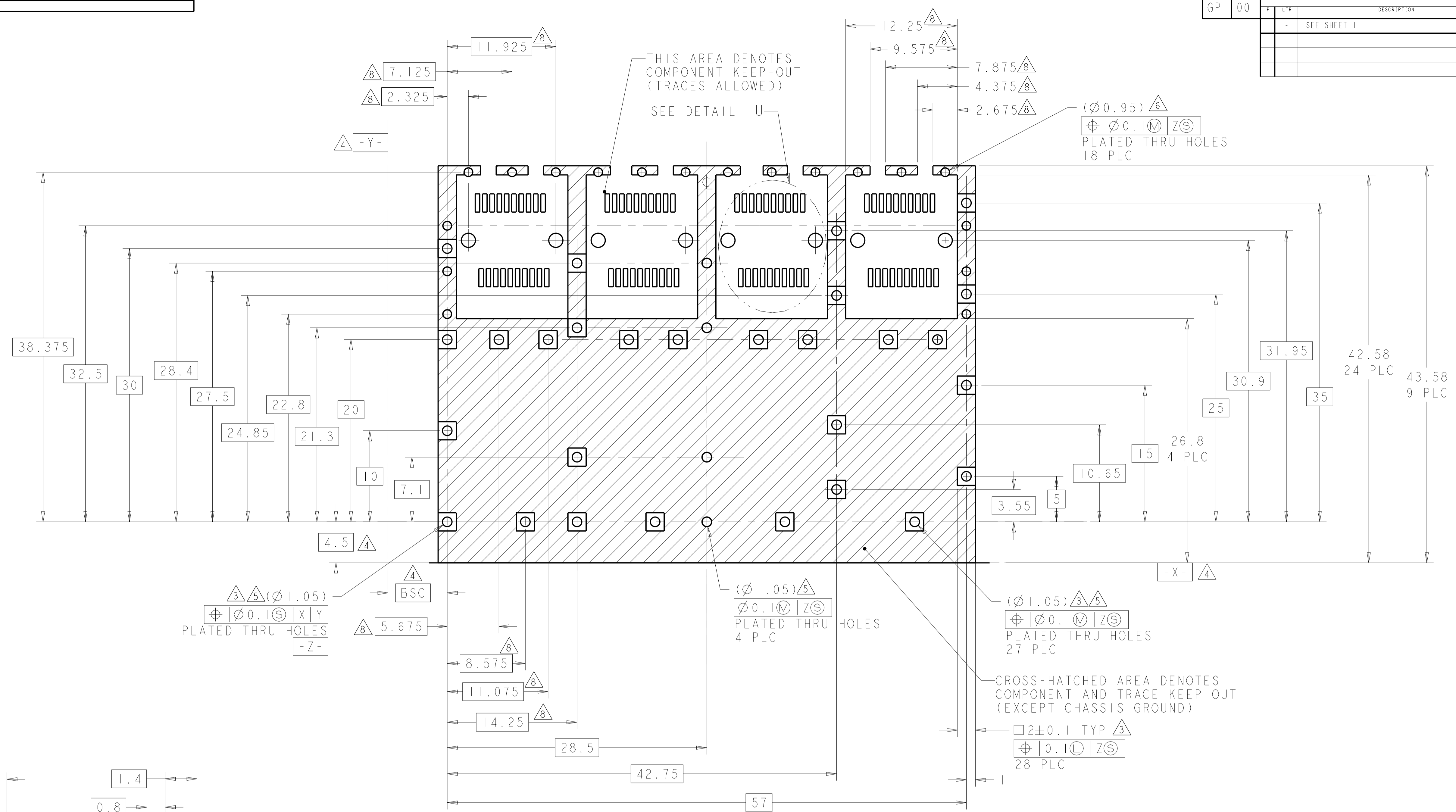
SECTION A-A

NO	10	1X4	1658744-3
2	1	1X4	1658744-1
FINISH	MATERIAL	POSITION	PART NUMBER

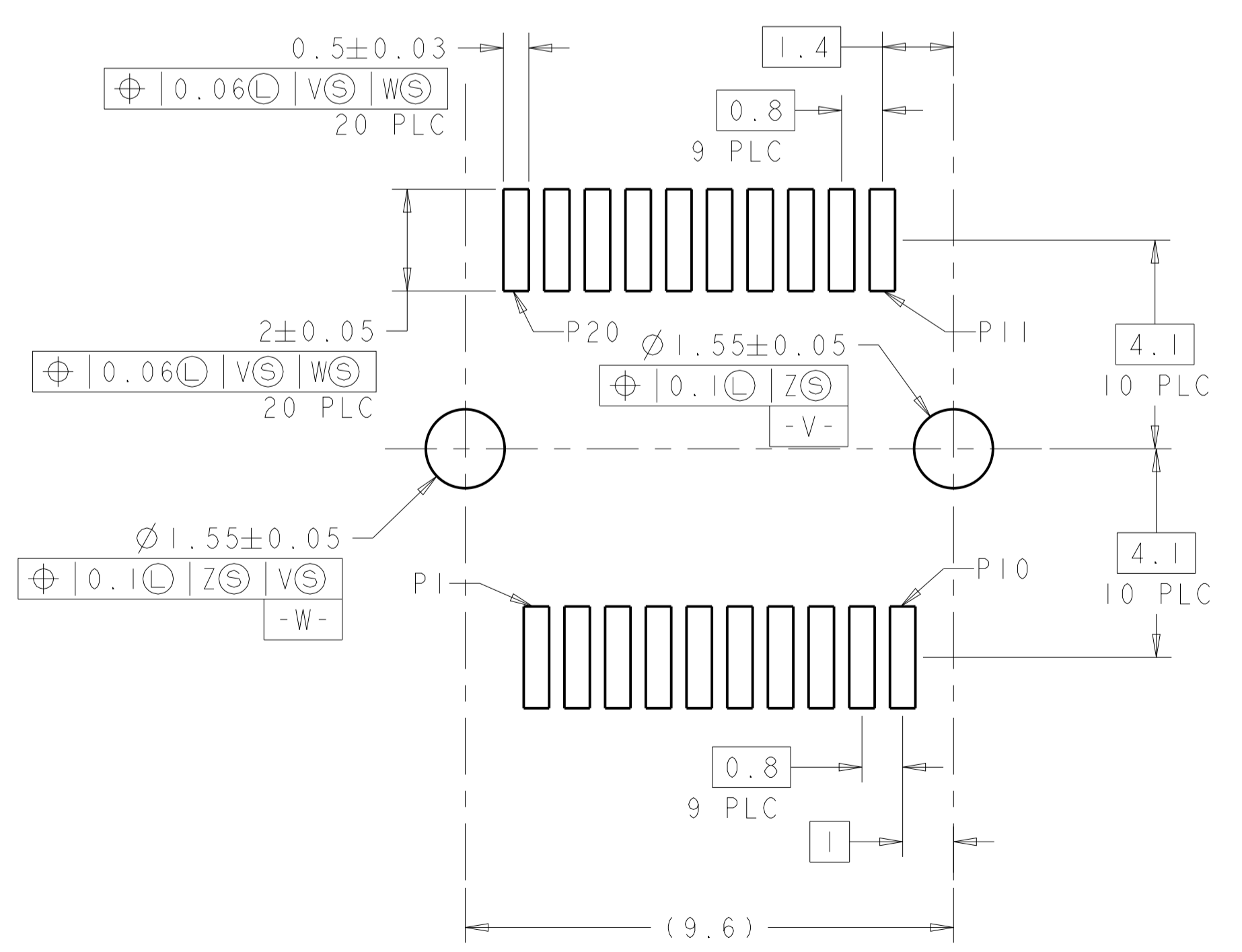
THIS DRAWING IS A CONTROLLED DOCUMENT.		OWN: M. SHIRK 04JUN03	STE TE Connectivity	
DIMENSIONS: mm		CHK: J. KOPPENHEFFER 06MAY04		
TOLERANCES UNLESS OTHERWISE SPECIFIED:		APVD: M. WALMSLEY 06MAY04	NAME: CAGE ASSEMBLY, 1X4 PRESS FIT, SFP	
0 PLC	±	PRODUCT SPEC	SIZE: CAGE CODE DRAWING NO	
1 PLC	±0.1	108-1950	RESTRICTED TO	
2 PLC	±	APPLICATION SPEC	A100779C=1658744	
3 PLC	±	114-13120	SCALE 5:1 SHEET 1 OF 2 REV J1	
4 PLC	±	WEIGHT		
ANGLES	±0°	CUSTOMER DRAWING		
FINISH	2			

LOC	DIST	REV	DATE	BY	APPV
GP	00				

REVISIONS					
REV	DATE	BY	APPV	DESCRIPTION	
-	-	-	-	SEE SHEET 1	



1658744-1
 RECOMMENDED PCB
 CONFIGURATION
 SCALE 4:1



DETAIL U
 RECOMMENDED PT CONNECTOR LAYOUT
 4X INDIVIDUALLY
 SCALE 10:1

THIS DRAWING IS A CONTROLLED DOCUMENT.		OWN: M. SHIRK 04JUN03	TE Connectivity
DIMENSIONS: mm		CHK: J. KOPPENHEFFER 06MAY04	
TOLERANCES UNLESS OTHERWISE SPECIFIED:		APV: M. WALMSLEY 06MAY04	NAME: CAGE ASSEMBLY, 1X4 PRESS FIT, SFP
0 PLC ±	1 PLC ±0.1	PRODUCT SPEC: 108-1950	SIZE: A100779
2 PLC ±	3 PLC ±	APPLICATION SPEC: 114-13120	SCALE: 1:1
4 PLC ±	ANGLES ±	WEIGHT: -	SHEET 2 OF 2
MATERIAL: -	FINISH: -	CUSTOMER DRAWING	REV: J1