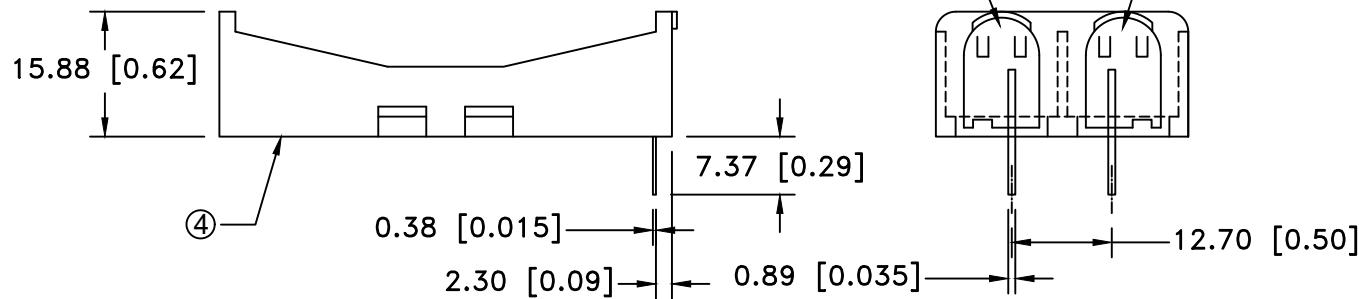
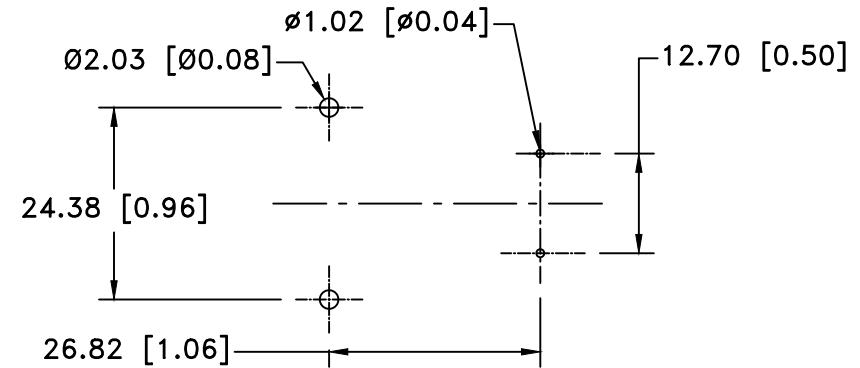
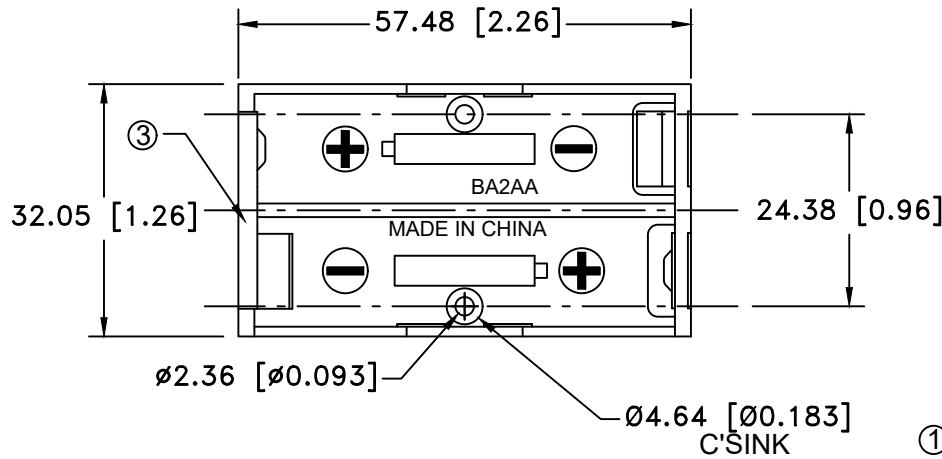



**SPECIFICATION:**

- HOUSING : BLACK POLYPROPYLENE  
 FLAMMABILITY RATING -UL94-HB, UL FILE NO. E216959  
 TEMPERATURE RANGE: -10°C to +100°C  
 CONTACTS: NICKEL PLATED STAINLESS STEEL  
 CONTACT RESISTANCE: UNDER 50mΩ FOR +/- CONTACTS PER EIA-540J000  
 ROHS COMPLIANT

Date	SYM	REVISION RECORD	AUTH	DR.	CK.
07/01/16	E	Changed contact material to 301 Stainless Steel	T.B.	B.S.	
05/11/18	F	Dim. 2.03 was 2.36 Dim. 4.64 was 4.57	T.B.	B.S.	
02/27/19	G	Updated note to "ROHS COMPLIANT"	T.B.	B.S.	



ITEM NO.	PART NO.	MATL. SPECIFICATION	QTY.
1	ABG-194	POSITIVE CONTACT, 301 STAINLESS STEEL, NICKEL PLTD.	1
2	ABG-195	NEGATIVE CONTACT, 301 STAINLESS STEEL, NICKEL PLTD.	1
3	ABG-196-1	RIGHT NEG./POS. CONTACT, 301 STAINLESS STEEL, NICKEL PLTD.	1
4	ABG-197	BLACK POLYPROPYLENE HOLDER, UL94-HB	1

Tolerance (Except as noted)	 Memory Protection Devices, Inc 200 Broad Hollow Road, Farmingdale, New York 11735	
	decimal	Scale
$\pm .5$ (.020)		Drawn By B.S.
Fractional $\pm .8$ (.030)	Approved By T.B.	
Angular $\pm 3^\circ$	Title TWO "AA" CELL SPRINGLESS HOLDER	
	Date 02/27/19	Drawing Number BA2AAPC

**MOUNTING INSTRUCTION:**  
 USE 2-56 MACHINE SCREWS OR EYELETS 0.089" OD BY 0.15" FLANGE STIMPSON GS-3 SERIES OR EQUIVALENT. ALSO ADHESIVES AND DOUBLE SIDED TAPES WORK WELL.