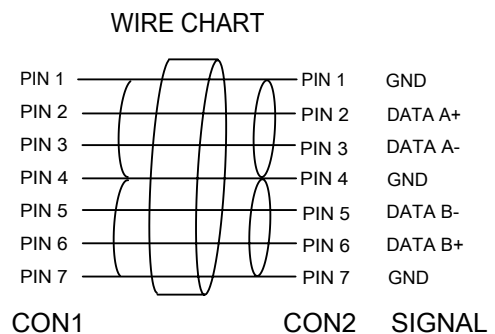
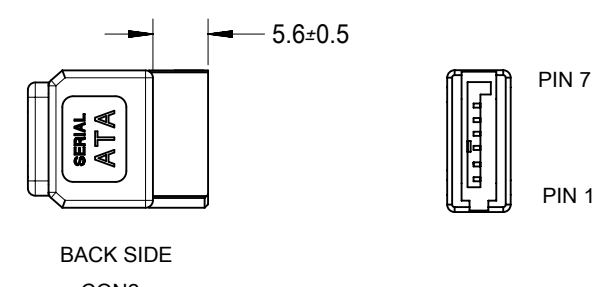
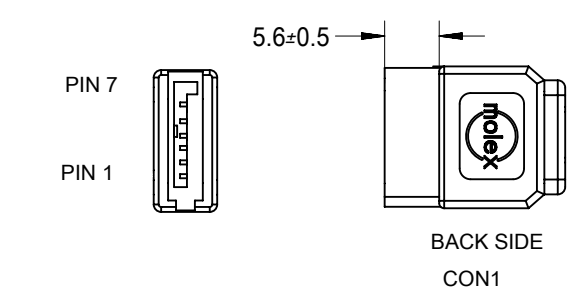
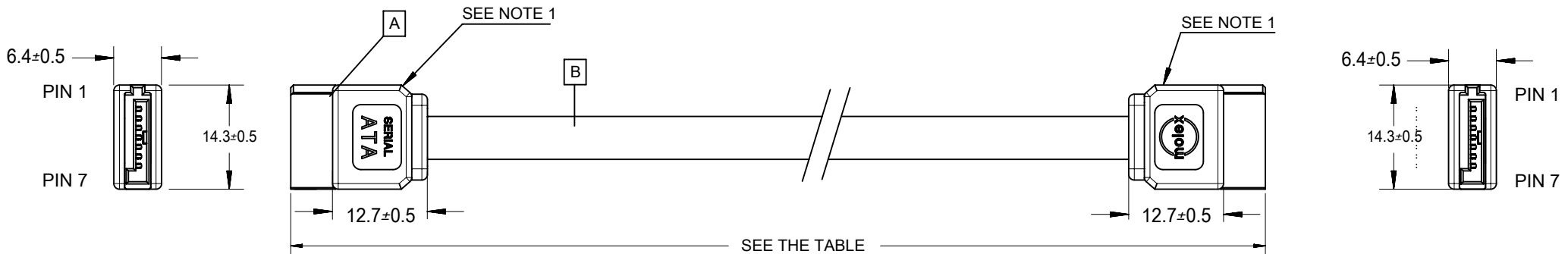


REVISIONS				
EC NO	DATE	REV	DESCRIPTION	CHANGER
TBD	2018/05/31	D	OBSOLETE PART NUMBER 887505310	VLOKESHA



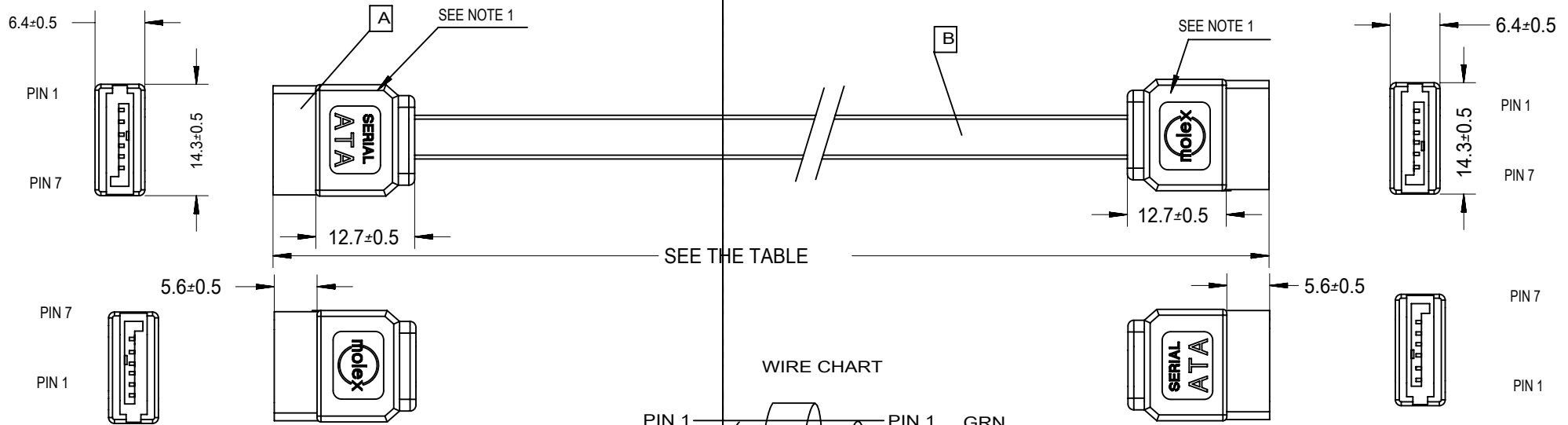
887505318	500±10	SERIAL ATA SIGNAL CABLE 0.5M RED
MOLEX P/N	Length (mm)	Description

B	S-ATA DATA CABLE (SEE THE TABLE)	N/A	1
A	CONNECTOR GOLD PLATING		2
ITEM	DESCRIPTION	L(MM)	QTY

- NOTES:**
- OUTER MOLD WITH BLACK PVC RESIN
INNER MOLD WITH PE RESIN
 - ELECTRICAL PERFORMANCE:
ALL TEST DUABILITY: 0.01 SEC.
 - DIELECTRONIC STRENGTH: 500V DC
 - INSULATION RESISTANCE: 100M OHMS MIN.
 - CONDUCTIVE RESISTOR: 2 OHMS MAX.

THIS DRAWING CONTAINS INFORMATION THAT IS PROPRIETARY TO MOLEX ELECTRONIC TECHNOLOGIES, LLC AND SHOULD NOT BE USED WITHOUT WRITTEN PERMISSION

DIMENSION UNITS	SCALE	CURRENT REV DESC: OBSOLETE PART NUMBER		
mm	1:1	<p style="text-align: center;">molex</p> <p style="text-align: center;">S-ATA 0.5M CABLE ASS'Y</p> <p style="text-align: center;">PRODUCT CUSTOMER DRAWING</p>		
GENERAL TOLERANCES (UNLESS SPECIFIED)				
ANGULAR TOL	± °			
4 PLACES	±			
3 PLACES	±	EC NO: 638770	2018/05/31	
2 PLACES	±	DRWN: MFAN08	2020/07/21	
1 PLACE	±	CHK'D: GGA	2020/07/21	
0 PLACES	±	APPR: GGA	2020/07/21	
DRAFT WHERE APPLICABLE MUST REMAIN WITHIN DIMENSIONS		INITIAL REVISION:		DOCUMENT NUMBER
THIRD ANGLE PROJECTION		DRWN: JLIU13	2005/03/31	SD-88750-5310
DRAWING		APPR: BORON	2005/03/24	DOC TYPE
SERIES		MATERIAL NUMBER		DOC PART
A4-SIZE		SEE TABLE		PSD
88750		CUSTOMER		001
		GENERAL MARKET		D
		SHEET NUMBER		1 OF 2



WIRE CHART

PIN 1	PIN 1	GRN
PIN 2	PIN 2	DATA A+
PIN 3	PIN 3	DATA A-
PIN 4	PIN 4	GND
PIN 5	PIN 5	DATA B-
PIN 6	PIN 6	DATA B+
PIN 7	PIN 7	GND
CON1	CON2	SIGNAL

887505310	500+-10	887808051	SATA SIGNAL CABLE, 0.5m GRAY
887505300	500+-10	887808404	SATA SIGNAL CABLE, 0.5m RED
887505318	500+-10	887808052	SATA SIGNAL CABLE, 0.5m RED
Molex P/N	Length (mm)	Raw Cable P/N	Description

B	S-ATA DATA CABLE (SEE THE TABLE)	N/A	1
A	CONNECTOR GOLD PLATING 674898002		2
ITEM	DESCRIPTION	L(MM)	QTY

NOTE:

- OUTER MOLD WITH BLACK PVC RESIN 887800019
INNER MOLD WITH PE RESIN 887800008
- ELECTRICAL PERFORMANCE:
ALL TEST DUABILITY:0.01 SEC).
 - DIELECTRONIC STRENGTH:500V DC
 - INSULATION RESISTANCE:100M OHMS MIN.
 - CONDUCTIVE RESISTOR: 2 OHMS MAX.

ENTER DESCRIPTION
EC NO: DG2005-0120
DRWN: JLIU13
CHKD: TEDDY
APPR: TKAN

20050330
20050330

QUALITY SYMBOLS
▽=0
△=0

GENERAL TOLERANCES (UNLESS SPECIFIED)

	mm	INCH
4 PLACES	+ ---	+ ---
3 PLACES	+ ---	+ ---
2 PLACES	+ ---	+ ---
1 PLACE	+ ---	+ ---
ANGULAR	+ ---	

DRAFT WHERE APPLICABLE
MUST REMAIN
WITHIN DIMENSIONS

DIMENSION STYLE
MM ONLY

SCALE
10:1

DESIGN UNITS
METRIC

THIRD ANGLE PROJECTION

DRAWN BY DATE
JLIU13 2005/03/31

CHECKED BY DATE
TEDDY 2005/03/31

APPROVED BY DATE
BORON 2005/03/31

MATERIAL NO.
887505310

SIZE
A4

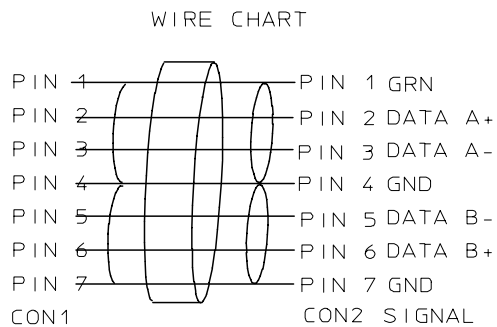
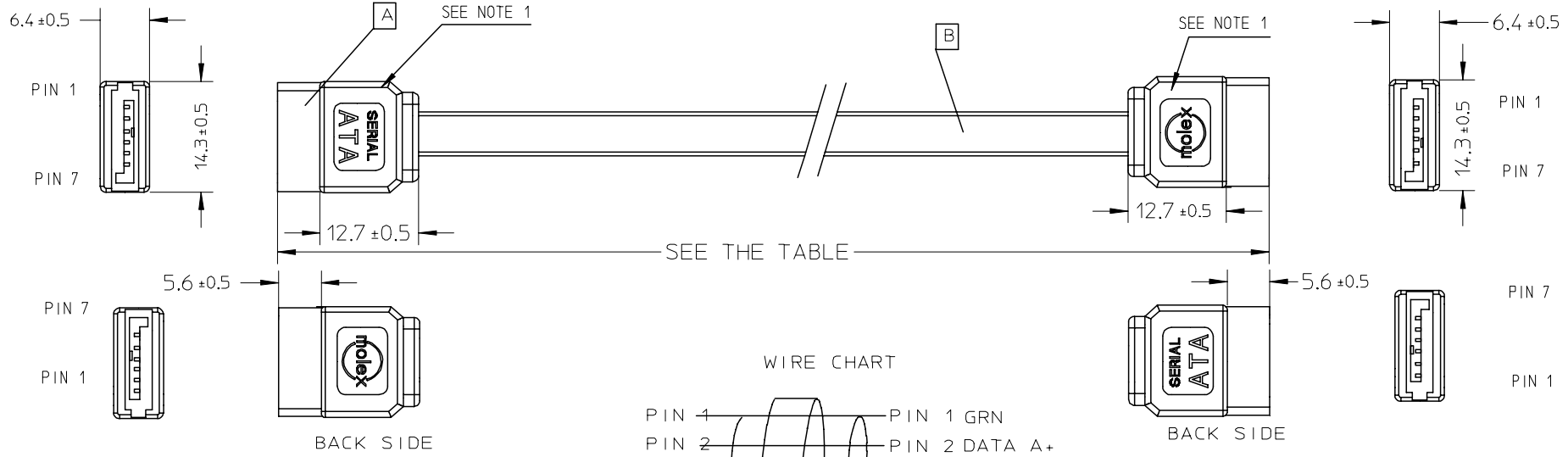
TITLE
S-ATA GRAY 0.5M
CABLE ASS'Y

Molex MOLEX INCORPORATED

DOCUMENT NO.
SD-88750-5310

SHEET NO.
1 OF 1

THIS DRAWING CONTAINS INFORMATION THAT IS PROPRIETARY TO MOLEX INCORPORATED AND SHOULD NOT BE USED WITHOUT WRITTEN PERMISSION



887505310	500+/-10	887808051	SATA SIGNAL CABLE, 0.5m GREY
887505300	500+/-10	887808404	SATA SIGNAL CABLE, 0.5m RED
887505318	500+/-10	887808052	SATA SIGNAL CABLE, 0.5m RED
Molex P/N	Length (mm)	Raw Cable P/N	Description

B	S-ATA DATA CABLE (SEE THE TABLE)	N/A	1
A	CONNECTOR GOLD PLATING 674898002		2
ITEM	DESCRIPTION	L (MM)	QTY

NOTE:
 1. OUTER MOLD WITH BLACK PVC RESIN 887800019
 INNER MOLD WITH PE RESIN 887800008
 2. ELECTRICAL PERFORMANCE:
 ALL TEST DUABILITY: 0.01 SEC).
 2.1. DIELECTRIC STRENGTH: 500V DC
 2.2. INSULATION RESISTANCE: 100M OHMS MIN.
 2.3. CONDUCTIVE RESISTOR: 2 OHMS MAX.

ENTER DESCRIPTION	2005/03/31	QUALITY SYMBOLS
EC NO: DG2005-0120	2005/03/31	▽=0
DRWN: JLIU13	2005/03/31	∇=0
CHKD: TEDDY	2005/03/31	
APPR: TKAN	2005/04/01	
DESCRIPTION		
REV		

GENERAL TOLERANCES (UNLESS SPECIFIED)	
	mm
4 PLACES	± ---
3 PLACES	± ---
2 PLACES	± ---
1 PLACE	± ---
ANGULAR ± ---°	
DRAFT WHERE APPLICABLE MUST REMAIN WITHIN DIMENSIONS	

DIMENSION STYLE MM ONLY	
DRAWN BY	DATE
JLIU13	2005/03/31
CHECKED BY	DATE
TEDDY	2005/03/31
APPROVED BY	DATE
BORON	2005/03/31
MATERIAL NO.	
887505318	
SIZE	
A/4	

SCALE	DESIGN UNITS	THIRD ANGLE PROJECTION
---	METRIC	
TITLE		
S-ATA RED 0.5M CABLE ASS'Y		
MOLEX INCORPORATED		
MATERIAL NO.	DOCUMENT NO.	SHEET NO.
887505318	SD-88750-5318	1 OF 1
THIS DRAWING CONTAINS INFORMATION THAT IS PROPRIETARY TO MOLEX INCORPORATED AND SHOULD NOT BE USED WITHOUT WRITTEN PERMISSION		