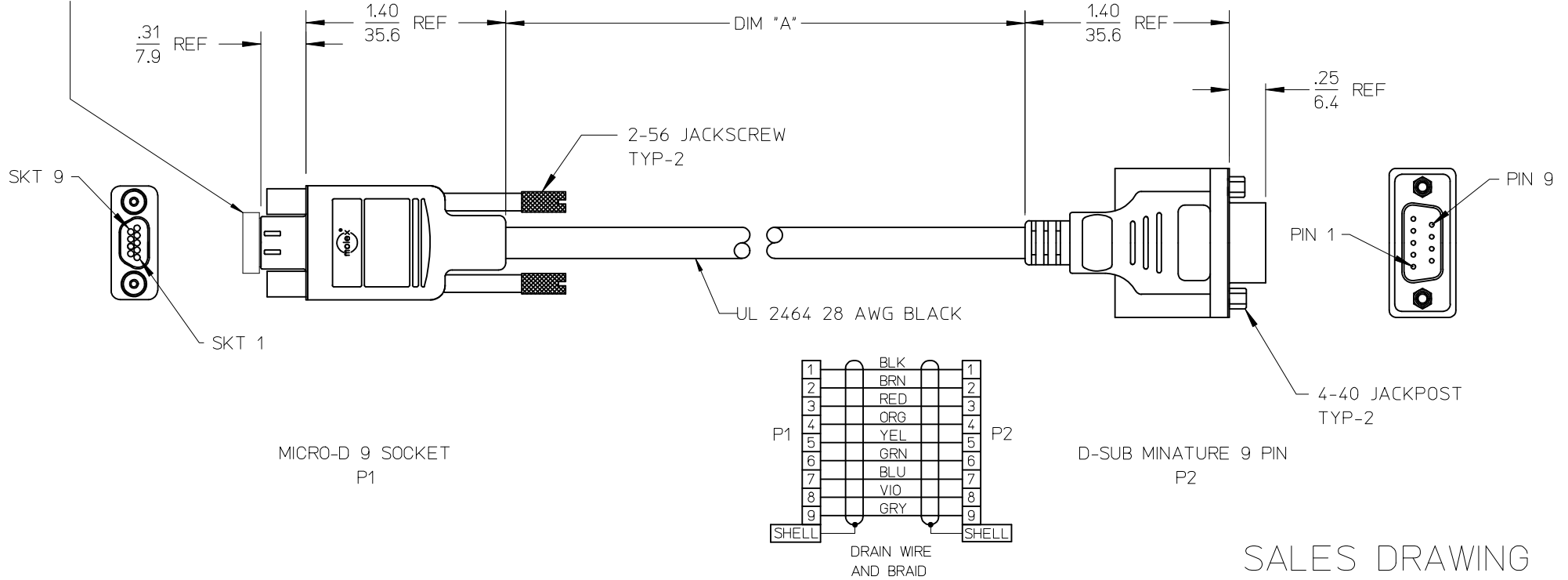


MATERIAL NO.	ENGINEERING NO.	DIM "A" INCH	DIM "A" (mm)
834219207	83421-9207	18.00 +.50 / -0.0	457.2 +12.7 / -0.0
834219208	83421-9208	36.00 +.50 / -0.0	914.4 +12.7 / -0.0
834219209	83421-9209	72.00 +.50 / -0.0	1828.8 +12.7 / -0.0

SHIPPING PLUG
DISCARD PRIOR TO CONNECTION
(NOT SHOWN IN SIDE VIEW)



SALES DRAWING

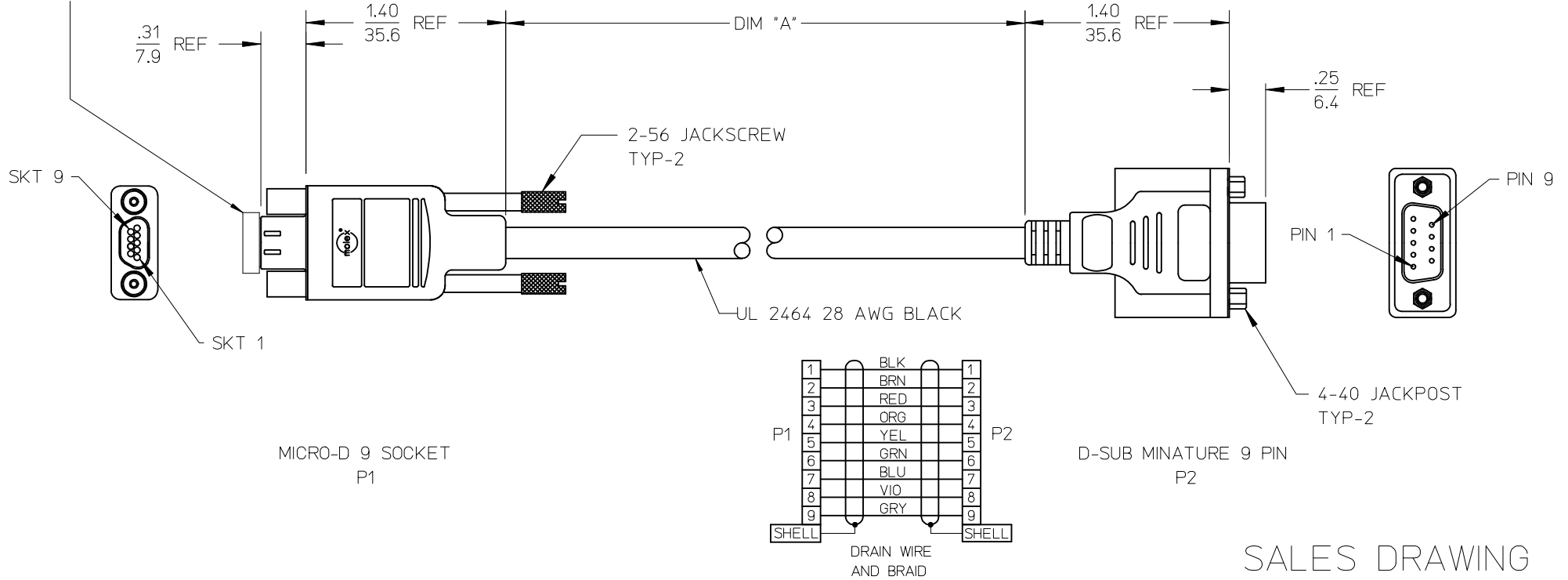
NOTES:

- 1) REFER TO PS-83421-001 FOR PRODUCT SPEC.
- 2) RoHS COMPLIANT

UPDATED DOC EC NO: IPG2015-1021 DRAWN: GUSTAFSON 2014/11/26 CHKD: BRUPERT 2015/01/21 APPR: BWOODMAN 2015/01/07	QUALITY SYMBOLS	GENERAL TOLERANCES (UNLESS SPECIFIED)	DIMENSION STYLE	SCALE	DESIGN UNITS	THIRD ANGLE PROJECTION	
	▼=0 ▽=0	mm INCH 4 PLACES ± --- ± --- 3 PLACES ± --- ± --- 2 PLACES ± --- ± --- 1 PLACE ± --- ± --- ANGULAR ± ---°	IN/MM	TODD B 9-12-06	INCH	9 SKT COMM MICRO-D TO 9 PIN D-SUB W/JACKPOST CABLE ASSEMBLY	Molex MOLEX INCORPORATED
	DRAFT WHERE APPLICABLE MUST REMAIN WITHIN DIMENSIONS	SEE CHART	DRAWN BY DATE J. MACNEIL 9-12-06 CHECKED BY DATE J. MACNEIL 9-12-06 APPROVED BY DATE J. MACNEIL 9-12-06	MATERIAL NO. SIZE B	DOCUMENT NO. SD-83421-015	SHEET NO. 1 OF 1	THIS DRAWING CONTAINS INFORMATION THAT IS PROPRIETARY TO MOLEX INCORPORATED AND SHOULD NOT BE USED WITHOUT WRITTEN PERMISSION

MATERIAL NO.	ENGINEERING NO.	DIM "A" INCH	DIM "A" (mm)
834219207	83421-9207	18.00 +.50 / -0.0	457.2 +12.7 / -0.0
834219208	83421-9208	36.00 +.50 / -0.0	914.4 +12.7 / -0.0
834219209	83421-9209	72.00 +.50 / -0.0	1828.8 +12.7 / -0.0

SHIPPING PLUG
DISCARD PRIOR TO CONNECTION
(NOT SHOWN IN SIDE VIEW)



SALES DRAWING

NOTES:

- 1) REFER TO PS-83421-001 FOR PRODUCT SPEC.
- 2) RoHS COMPLIANT

UPDATED DOC EC NO: IPG2015-1021 DRAWN: GUSTAFSON 2014/11/26 CHKD: BRUPERT 2015/01/21 APPR: BWOODMAN 2015/01/07	QUALITY SYMBOLS	GENERAL TOLERANCES (UNLESS SPECIFIED)	DIMENSION STYLE	SCALE	DESIGN UNITS	THIRD ANGLE PROJECTION	
	▼=0 ▽=0	mm INCH 4 PLACES ± --- ± --- 3 PLACES ± --- ± --- 2 PLACES ± --- ± --- 1 PLACE ± --- ± --- ANGULAR ± ---°	IN/MM	DRAWN BY TODD B DATE 9-12-06 CHECKED BY J. MACNEIL DATE 9-12-06 APPROVED BY J. MACNEIL DATE 9-12-06	INCH	INCH	TITLE 9 SKT COMM MICRO-D TO 9 PIN D-SUB W/JACKPOST CABLE ASSEMBLY
	DRAFT WHERE APPLICABLE MUST REMAIN WITHIN DIMENSIONS	SEE CHART	MATERIAL NO.	DOCUMENT NO.	MOLEX INCORPORATED SD-83421-015		SHEET NO. 1 OF 1
		SIZE B	THIS DRAWING CONTAINS INFORMATION THAT IS PROPRIETARY TO MOLEX INCORPORATED AND SHOULD NOT BE USED WITHOUT WRITTEN PERMISSION				