

M12 transf. 10/100BASE-T d STR with PoE



Image is for illustration purposes only. Please refer to product description.

| | |
|--------------------|---|
| Part number | 21 03 381 2411 |
| Specification | M12 transf. 10/100BASE-T d STR with PoE |
| HARTING eCatalogue | https://b2b.harting.com/21033812411 |

Identification

| | |
|----------------|---|
| Category | Connectors |
| Series | Circular connectors M12 |
| Identification | Magnetics |
| Element | PCB adapter |
| Specification | with integrated transformer Straight Power over Ethernet (PoE+) |

Version

| | |
|--------------------|------------------------------------|
| Termination method | Reflow soldering termination (SMT) |
| Gender | Female |
| Shielding | Shielded |
| Number of contacts | 4 |
| Coding | D-coding |
| Details | Order housings separately |
| Pack contents | 60 pieces in a tray |

Technical characteristics

| | |
|------------------------------|------------------------------|
| Rated current | 3 A |
| Rated voltage | 57 V |
| Rated impulse voltage | 1.5 kV |
| Pollution degree | 3 |
| Transmission characteristics | Cat. 5 Class D up to 100 MHz |



Pushing Performance

Technical characteristics

| | |
|--|--|
| Data rate | 10 Mbit/s 100 Mbit/s |
| Insulation resistance | $>10^8 \Omega$ |
| Contact resistance | $\leq 10 \text{ m}\Omega$ |
| Ambient temperature | -40 ... +85 °C +245 °C for reflow soldering |
| Insertion force | 10 N |
| Withdrawal force | 15 N |
| Mating cycles | ≥ 100 |
| Degree of protection acc. to IEC 60529 | IP65 / IP67 mated condition |
| Isolation group | IIIa ($175 \leq \text{CTI} < 400$) |
| Process Sensitivity Level (PSL) | R7 acc. to ECA/IPC/JEDEC J-STD-075 |

Material properties

| | |
|---|--|
| Material (insert) | Liquid crystal polymer (LCP) |
| Colour (insert) | Black |
| Material (contacts) | Brass |
| Surface (contacts) | Au over Ni Mating side |
| Material flammability class acc. to UL 94 | V-0 |
| RoHS | compliant with exemption |
| RoHS exemptions | 6(c): Copper alloy containing up to 4 % lead by weight |
| ELV status | compliant with exemption |
| China RoHS | 50 |
| REACH Annex XVII substances | No |
| REACH ANNEX XIV substances | No |
| REACH SVHC substances | Yes |
| REACH SVHC substances | Lead |
| ECHA SCIP number | 0d7d3693-d625-47ab-934a-d241bf72c86e |
| California Proposition 65 substances | Yes |
| California Proposition 65 substances | Nickel Lead Naphthalene |

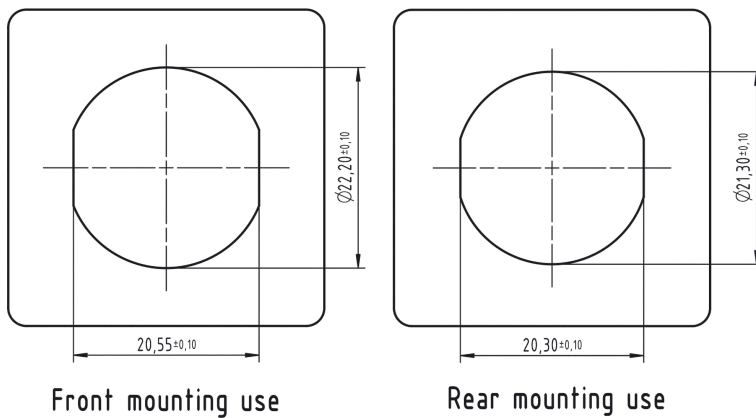
Specifications and approvals

| | |
|----------------|-----------------|
| Specifications | IEC 61076-2-101 |
|----------------|-----------------|

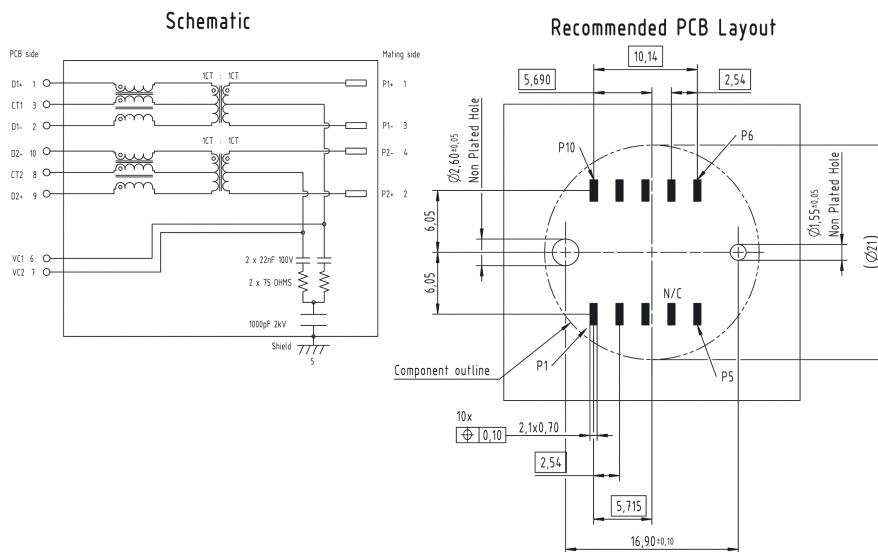
Commercial data

| | |
|--------------------------------|--|
| Packaging size | 60 |
| Net weight | 0.1 g |
| Country of origin | China |
| European customs tariff number | 85366990 |
| eCl@ss | 27460201 PCB connector (board connector) |

Panel cut out



General information



Electrical Characteristics @+25°C unless otherwise noted
 Meets IEEE802.3 specification
 RoHS compliant

| Parameter | Specification/ Limit Values |
|------------------------------------|--|
| Operating Temperature | -40°C - +85°C |
| Turn Ratio (+/- 2%) | 1CT : 1CT |
| Current Capacity Pins 1-B/ VC1-VC4 | 750mA DC |
| OCL | min 350µH @ 100KHz , 100mV with 8mA bias current |
| Isolation (Input- Output) | 2.25kV VDC , for 60sec. min f ≤ 100MHz |
| Insertion Loss | 1.3 dB |
| Return Loss | 9 dB |
| Crosstalk | 30 dB |
| CMRR | 30 dB |
| CDMR | 30 dB |

NOTE: 1. f is the frequency in Mhz
 2. The Product has been tested for DC isolation. HARTING assumes no liability or obligation for AC isolation testing.

Tape layout & packaging

