

NOTES:

1. MATERIALS AND FINISHES:

BODY - BRASS, GOLD PLATING
 CONTACT - BRASS, GOLD PLATING
 INSULATOR - PTFE, NATURAL

2. ELECTRICAL:

A. IMPEDANCE: 50 OHM, NOMINAL
 B. FREQUENCY RANGE: 0-12.4 GHZ
 C. D.W.V: 1000 VRMS, MIN.

3. MECHANICAL:

A. DURABILITY: 500 CYCLES MIN.
 B. TEMPERATURE RANGE: -65°C to +165°C

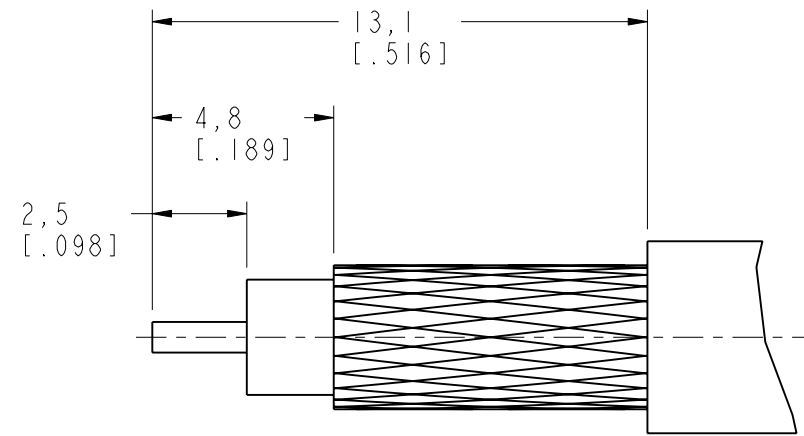
4. CRIMPED FERRULE HEX CRIMP SIZE .213"

5. CRIMPED CONTACT PIN HEX CRIMP SIZE .052"

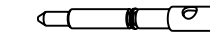
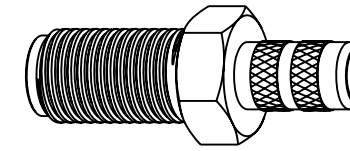
THIRD ANGLE PROJ.

REVISIONS

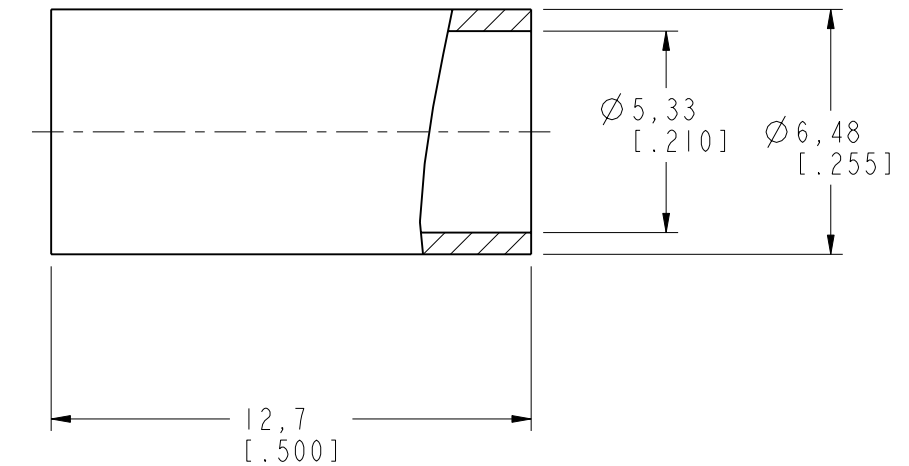
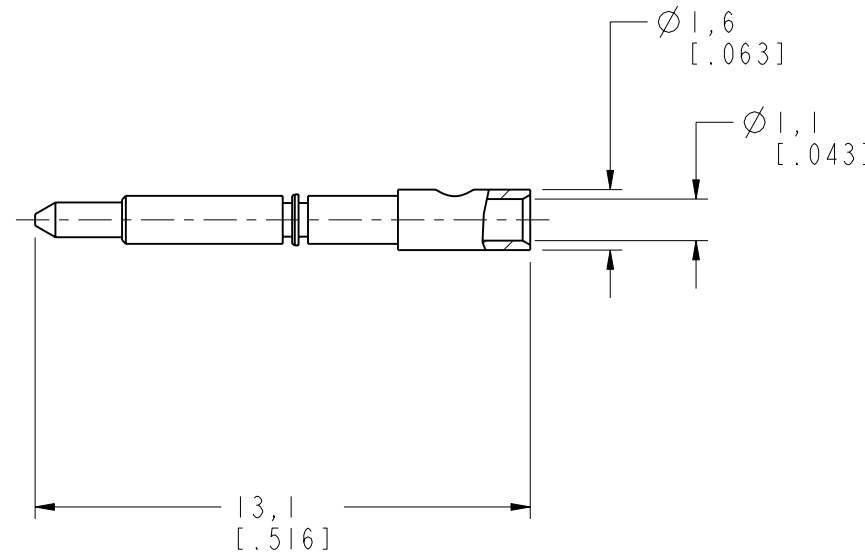
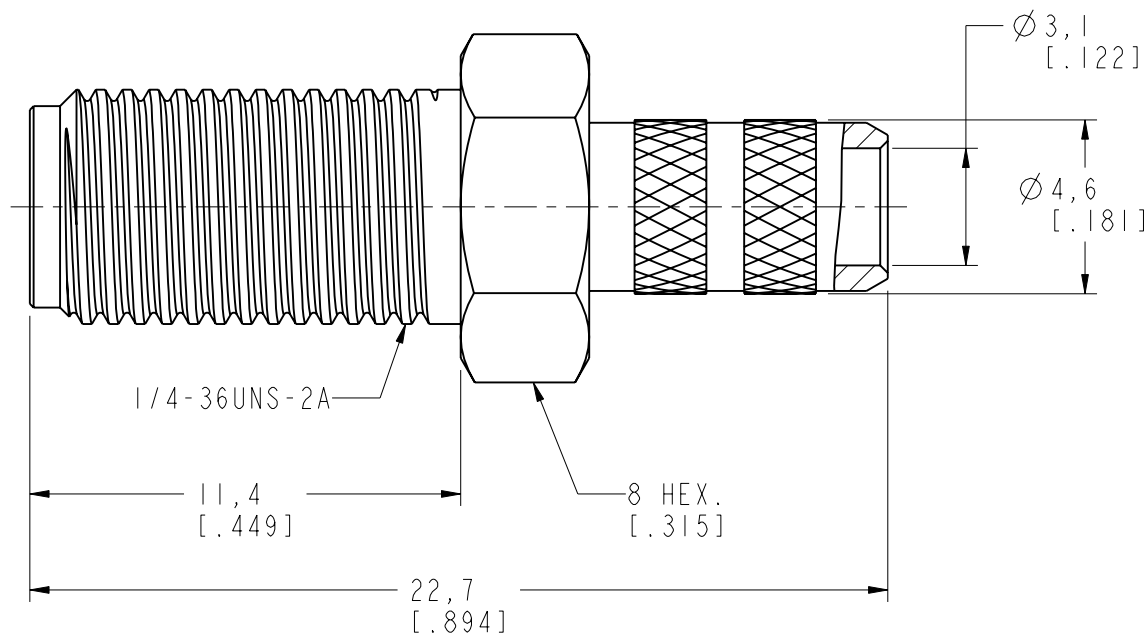
REV	DESCRIPTION	DATE	ECO	APPR
NC	INITIAL RELEASE	10-Oct-07	-----	GRS
A	THE ARFA CROSS WAS CHANGED TO RSMA6111A1-3GT5GP-58CU-50, UPDATE DRAWING FORMAT	22-Sep-14	2808	MZ



RECOMMENDED
CABLE STRIPPING DIM'S



SCALE 2.000



CUSTOMER OUTLINE DRAWING
 ALL OTHER SHEETS ARE FOR INTERNAL USE ONLY

UNLESS OTHERWISE SPECIFIED, DIMENSIONS ARE IN METRIC AND TOLERANCES ARE:
 <0.5mm ±0.05mm 0.5 - 6mm ±0.1mm 6 - 30mm ±0.2mm 30 - 120mm ±0.3mm ANGLES ±1°

NOTICE - These drawings, specifications, or other data (1) are, and remain the property of Amphenol corp. (2) must be returned upon request; and (3) are confidential and not to be disclosed to any person other than those to whom they are given by Amphenol Corp. the furnishing of these drawings, specifications, or other data by Amphenol Corp., or to any other person to anyone for any purpose is not to be regarded by implication or otherwise in any manner licensing, granting rights to permitting such holder or any other person to manufacture, use or sell any product, process or design, patented or otherwise, that may in any way be related to or disclosed by said drawings, specifications, or other data.

MATERIAL	DRAWN M. ZHANG	DATE 22-Sep-14	TITLE SMA CRIMP JACK (FOR RG-58C/U, 58/U CABLE)	Amphenol Connex
REFERENCE RSMA6111A1-3GT5GP-58CU-50	ENGINEER S. DUAN	DATE 22-Sep-14		
CONFIGURATION LEVEL: <input type="checkbox"/> <input type="checkbox"/> <input type="checkbox"/>	APPROVED S. HSIEH	DATE 22-Sep-14	SCALE: 5.0:1.0 SHEET 3 OF 3	DRAWING NO.
FINISH	CAD FILE		DWG SIZE B	REV A
				ITEM NO.
				PART NO. 132116RP