

NOTES:

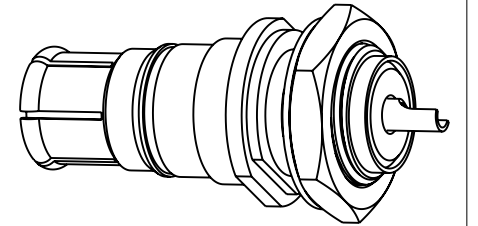
- MATERIALS AND FINISHES:  
 BODY & HEX NUT - BRASS, NICKEL PLATING  
 CONTACT - BRASS, GOLD PLATING  
 INSULATOR - PTFE, NATURAL  
 LOCK WASHER - PHOSPHOR BRONZE, NICKEL PLATING
- ELECTRICAL:  
 A. IMPEDANCE: 50 OHM  
 B. FREQUENCY RANGE: DC - 4 GHz

- MECHANICAL:  
 A. DURABILITY: 500 CYCLES MIN.  
 B. TEMPERATURE RANGE: -65° C TO +165° C
- PACKAGING:  
 A. QUANTITY: SINGLE PACK  
 B. MARKING: BAG TO BE MARKED  
 "AMPHENOL RF, 31-5189-1000 , DATE CODE"

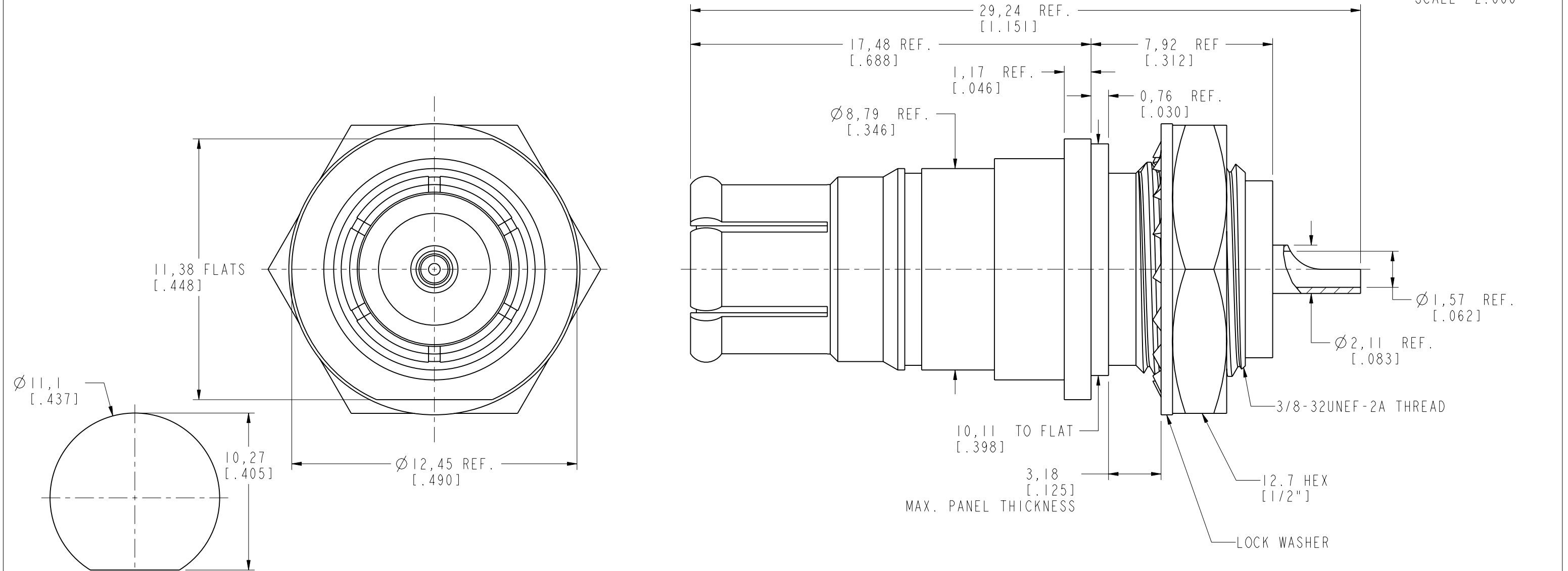
THIRD ANGLE PROJ.

REVISIONS

REV	DESCRIPTION	DATE	ECO	APPR
A	RELEASE TO MFG.	3/28/90	37152	--
B	SEE SHEET 1	4/12/10	48058	CPM
C	RELEASE TO MFG.	16-Apr-18	07941	MW



SCALE 2.000



**RECOMMENDED MOUNTING HOLE DIMENSIONS**

**CUSTOMER OUTLINE DRAWING**  
 ALL OTHER SHEETS ARE FOR INTERNAL USE ONLY

UNLESS OTHERWISE SPECIFIED, DIMENSIONS ARE IN METRIC AND TOLERANCES ARE: <0.5mm ± 0.05mm    0.5 - 6mm ± 0.1mm    6 - 30mm ± 0.2mm    30 - 120mm ± 0.3mm    ANGLES ± 1°	MATERIAL	DRAWN	DATE	TITLE BNC STR BHD PLUG FRONT MOUNT RECEPTACLE (NO COUPLING NUT)	Amphenol RF www.amphenolrf.com
	-	M.WEI	03-May-18		
	REFERENCE	ENGINEER	DATE	SCALE: 9.0:1.0    SHEET 2 OF 2	DRAWING NO. 31-5189-1000 ITEM NO. 31-5189-1000 PART NO. 31-5189-1000
	EAR #    AND    --	FIGO	03-May-18		
NOTICE - These drawings, specifications, or other data (1) are, and remain the property of Amphenol corp. (2) must be returned upon request; and (3) are confidential and not to be disclosed to any person other than those to whom they are given by Amphenol Corp. the furnishing of these drawings, specifications, or other data by Amphenol Corp., or to any other person to anyone for any purpose is not to be regarded by implication or otherwise in any manner licensing, granting rights to permitting such holder or any other person to manufacture, use or sell any product, process or design, patented or otherwise, that may in any way be related to or disclosed by said drawings, specifications, or other data.	CONFIGURATION LEVEL: In Work	APPROVED	DATE	DWG SIZE	REV
		SCOTT	03-May-18	B	C
	FINISH	CAD FILE			