

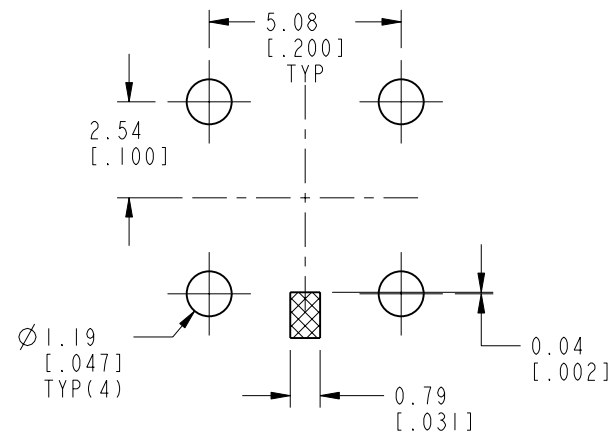
NOTES:

1. MATERIALS AND FINISHES:
 BODY & CONTACT - BRASS, GOLD PLATING
 INSULATOR - LCP
2. ELECTRICAL:
 A. IMPEDANCE: 50 OHM
 B. FREQUENCY RANGE: DC - 18 GHz
 C. VSWR (RETURN LOSS): 1.10 (26.4 dB) MAX DC-6 GHz
 1.15 (23.1 dB) MAX 6-10 GHz
 1.30 (17.7 dB) MAX 10-18 GHz
 D. DIELECTRIC WITHSTANDING VOLTAGE: 500 VRMS, MIN.
3. MECHANICAL:
 A. DURABILITY: 500 CYCLES MIN.
 B. TEMPERATURE RANGE: -65° C TO +165° C
4. PACKAGING:
 A. PACKAGING: TAPE AND REEL
 B. QUANTITY: 800 PCS
 C. MARKING: BAG TO BE MARKED
 "AMPHENOL RF, SMP-MSCM-PCS-10, AND DATE CODE"

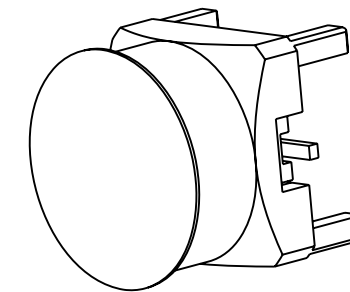
THIRD ANGLE PROJ.

REVISIONS

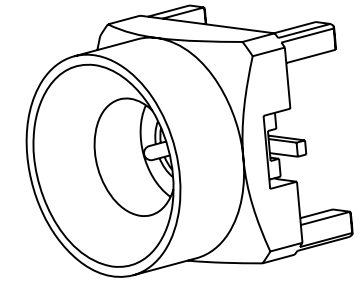
REV	DESCRIPTION	DATE	ECO	APPR
A	RELEASE TO MFG.	06-Jul-15	50634	MM
B	ADDED KAPTON FILM \RD-DMI509170IS2	24-Sep-15	50774	JTS



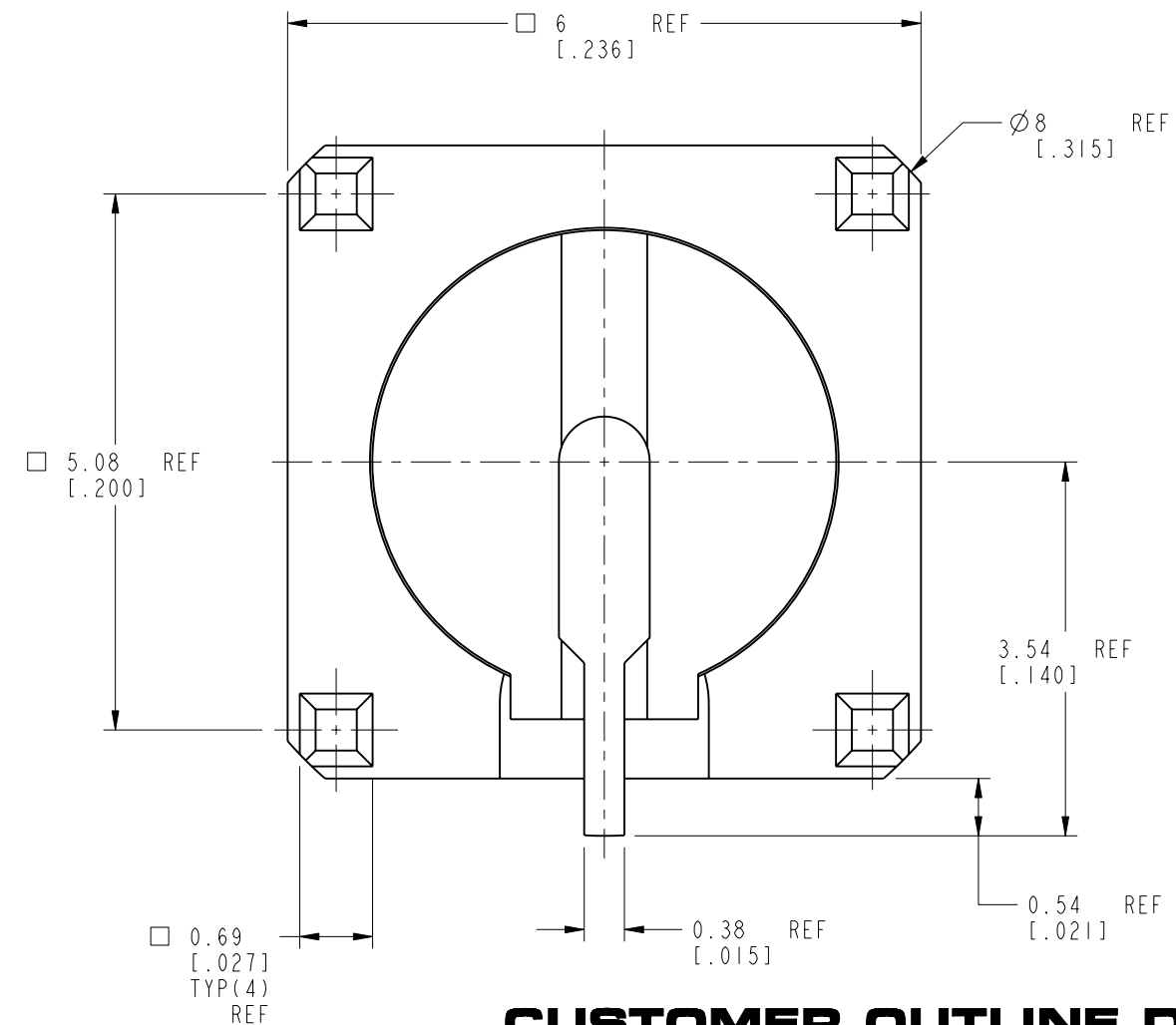
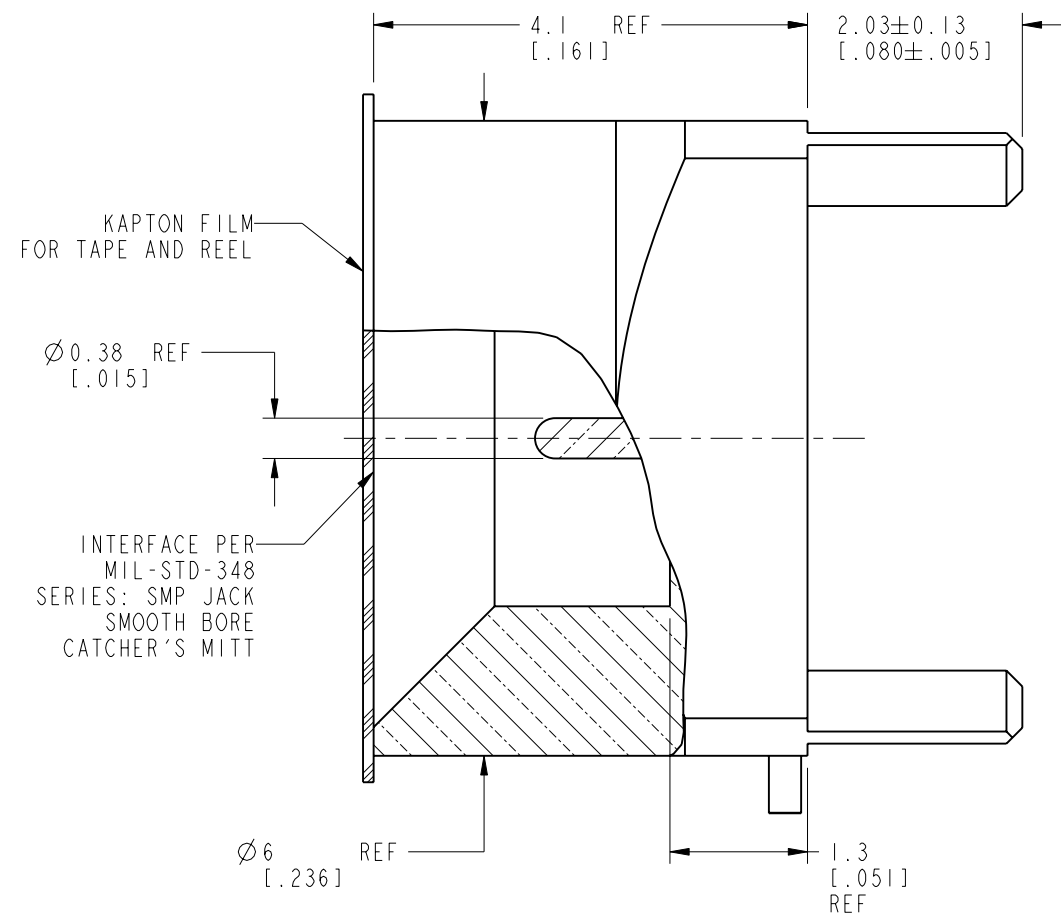
**RECOMMENDED
PCB LAYOUT**



SHOWN WITH
KAPTON FILM



SHOWN WITHOUT
KAPTON FILM



CUSTOMER OUTLINE DRAWING

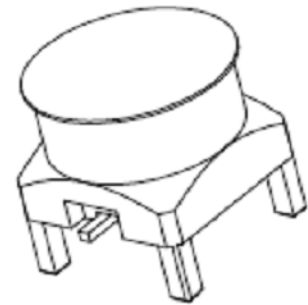
ALL OTHER SHEETS ARE FOR INTERNAL USE ONLY

UNLESS OTHERWISE SPECIFIED, DIMENSIONS ARE IN METRIC AND TOLERANCES ARE: <0.5mm ±0.05mm 0.5 - 6mm ±0.1mm 6 - 30mm ±0.2mm 30 - 120mm ±0.3mm ANGLES ±1°	MATERIAL	DRAWN	DATE	TITLE SMP STR JACK SMOOTH BORE CATCHER'S MITT PCB THRU HOLE		Amphenol RF www.amphenolrf.com	
	SEE NOTES	M. DONG	24-Sep-15				
NOTICE - These drawings, specifications, or other data (1) are, and remain the property of Amphenol corp. (2) must be returned upon request; and (3) are confidential and not to be disclosed to any person other than those to whom they are given by Amphenol Corp. the furnishing of these drawings, specifications, or other data by Amphenol Corp., or to any other person to anyone for any purpose is not to be regarded by implication or otherwise in any manner licensing, granting rights to permitting such holder or any other person to manufacture, use or sell any product, process or design, patented or otherwise, that may in any way be related to or disclosed by said drawings, specifications, or other data.	REFERENCE	ENGINEER	DATE	SCALE: 16.0:1.0 SHEET 2 OF 3		DRAWING NO. SMP-MSCM-PCS-10 ITEM NO. SMP-MSCM-PCS-10 PART NO. SMP-MSCM-PCS-10	
	EAR # 6004	MICHAEL MURTHA	04-Jun-15				
	CONFIGURATION LEVEL: In Work	APPROVED	S. HSIEH	24-Sep-15	DWG SIZE	REV	
FINISH				B	B		

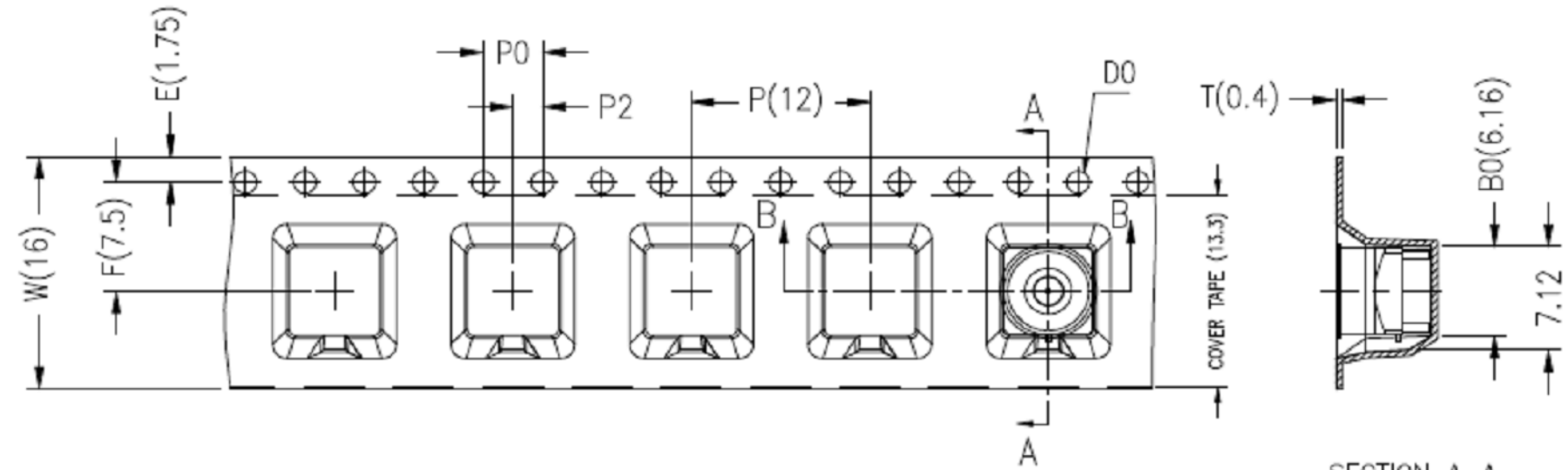
THIRD ANGLE PROJ.

REVISIONS

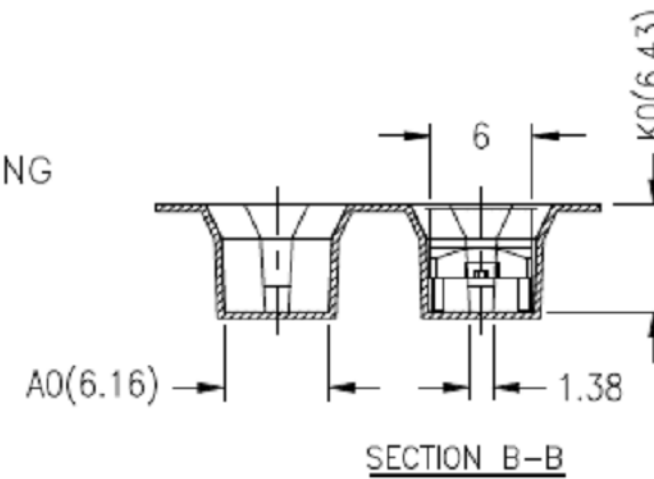
REV	DESCRIPTION	DATE	ECO	APPR
A	PROTOTYPE RELEASE	06-Jul-15	50634	MM
B	SEE SHEET 2 \RD-DMI5091701S2	24-Sep-15	50774	JTS



SMP-MSCM-PCS-10



➔
載帶卷料方向
USER DIRECTION OF FEEDING



1. 10 sprocket hole pitch cumulative tolerance ± 0.20 mm.
2. Carrier camber not to exceed 1 mm in 250 mm.
3. A_0 and B_0 measured on a plane 0.3 mm above the bottom of the pocket.
4. K_0 measured from a plane on the inside bottom of the pocket to the top surface of the carrier.
5. All dimensions meet EIA-481-D requirements.
6. Material: Black PS (RoHS Compliant)
7. Thickness: 0.40 ± 0.05 mm.
8. Packing length per 13" reel: 10.5 Meters.
9. Component loader per 13" reel: 800 PCS.

注:未注公差為 ± 0.10

NOTE: ALL TOLERANCES ARE: ± 0.10 , EXCEPT WHERE NOTED

ITEM	W	A_0	B_0	K_0	K_1	P	F	E	D_0	D_1	P_0	P_2	T
DIM	16 ± 0.3	6.16 ± 0.1	6.16 ± 0.1	6.43 ± 0.1	/	12 ± 0.1	7.5 ± 0.1	1.75 ± 0.1	1.5 ± 0.05	/	4.0 ± 0.1	2.0 ± 0.1	0.40 ± 0.05

UNLESS OTHERWISE SPECIFIED, DIMENSIONS ARE IN METRIC AND TOLERANCES ARE:
 < 0.5mm ± 0.05 mm 0.5 - 6mm ± 0.1 mm 6 - 30mm ± 0.2 mm 30 - 120mm ± 0.3 mm ANGLES $\pm 1^\circ$

NOTICE - These drawings, specifications, or other data (1) are, and remain the property of Amphenol corp. (2) must be returned upon request; and (3) are confidential and not to be disclosed to any person other than those to whom they are given by Amphenol Corp. the furnishing of these drawings, specifications, or other data by Amphenol Corp., or to any other person to anyone for any purpose is not to be regarded by implication or otherwise in any manner licensing, granting rights to permitting such holder or any other person to manufacture, use or sell any product, process or design, patented or otherwise, that may in any way be related to or disclosed by said drawings, specifications, or other data.

MATERIAL BLOCK PS	DRAWN STRONG	DATE 24-Sep-15
REFERENCE EAR # 6004 AND	ENGINEER MICHAEL MURTHA	DATE 09-Jul-15
CONFIGURATION LEVEL: In Work	APPROVED S. HSIEH	DATE 24-Sep-15
FINISH	CAD FILE	

TITLE TAPE & REEL
SCALE: 20.0:1.0 SHEET 3 OF 3
DWG SIZE B
REV B

Amphenol RF
www.amphenolrf.com
DRAWING NO. SMP-MSCM-PCS-10
ITEM NO. SMP-MSCM-PCS-10
PART NO. SMP-MSCM-PCS-10