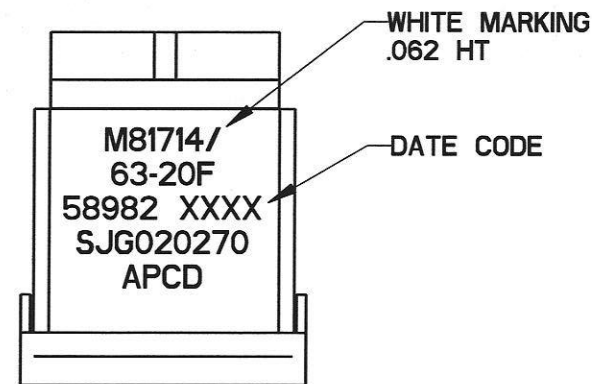
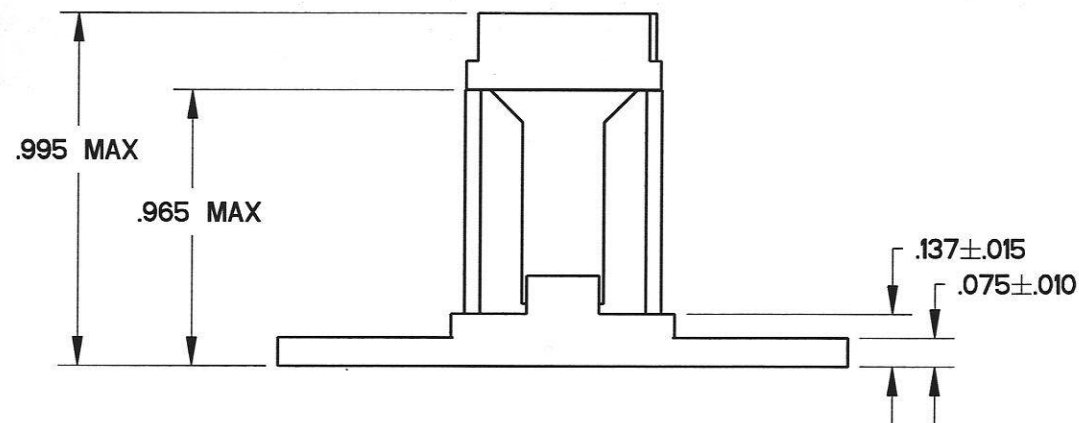
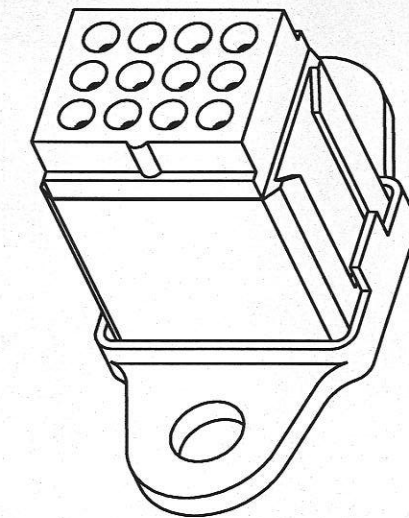
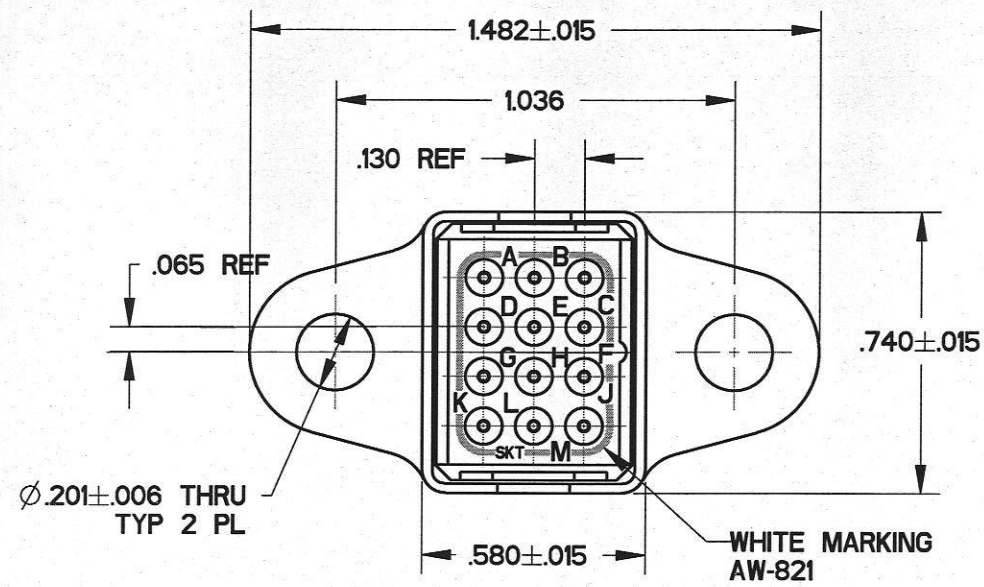


REV	ECN	APP'D
B	6024	4-12-07



- NOTES:
- PART MEETS ALL REQUIREMENTS OF MIL-T-81714/63
  - MATERIALS:  
 GROMMET - SILICONE RUBBER PER A-A-59588  
 BODY - POLYETHERIMIDE PER ASTM-D-5205  
 SHELL/STUD - COPPER ALLOY, GOLD PLATED PER SAE-AMS-2422  
 CONTACT RETAINER CLIPS - STAINLESS STEEL PER ASTM-A666
  - PART ACCEPTS M39029/22-192 SOCKET CONTACTS. SEE TABLE

APCD P/N	SUPPLIED		MARKING
	SKTS	PLUGS	APCD PART NO.
SJG020270	13	2	SJG020270
SJG020271	-	-	

<b>DIMENSIONS</b> ANSI Y14.5M UNITS: INCHES Pro/E FILE	<b>TOLERANCES</b> .XX ±0.01 .XXX ±0.005 ANGLES ±2.0°	<b>PROJECTION</b> 	<b>Amphenol Pcd</b> SPECIFICATION DRAWING			<b>TITLE</b> SJG, SIZE 20 GROUNDING MODULE GOLD PLATED		
			DRWN R. SWAINE 02/15/07	ENGR 4/12/07	APPD 4-12-07	SIZE <b>B</b>	DWG NO. <b>SJG020270</b>	REV <b>B</b>



THIS DOCUMENT CONTAINS PROPRIETARY INFORMATION WHICH IS THE CONFIDENTIAL PROPERTY OF AMPHENOL PCD INC., PEABODY, MA

SJG020270

SJG020270