

NOTES:

1. MATERIALS AND FINISHES:

BODY - BRASS - GOLD PLATED (.000010" MIN.)
 CONTACT - BRASS - GOLD PLATED (.000030" MIN.)
 INSULATORS - PTFE

2. ELECTRICAL:

A. IMPEDANCE = 75 OHM, NOMINAL
 B. FREQUENCY RANGE = DC TO 1.0 GHz
 C. VSWR (RETURN LOSS) = 1.06 (30 dB) MAX

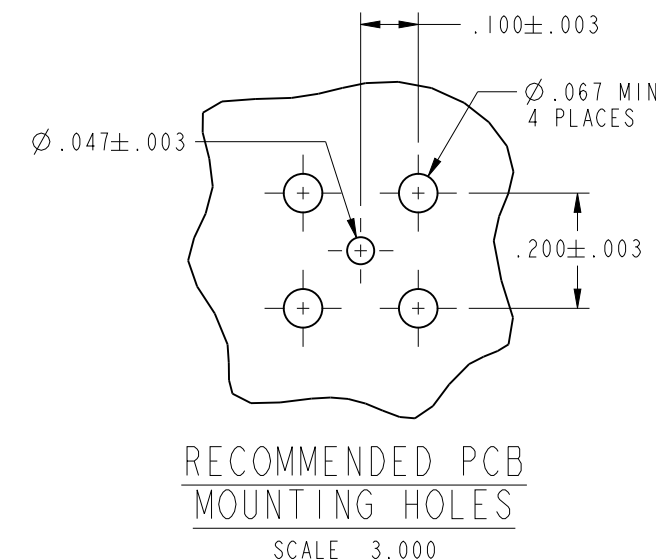
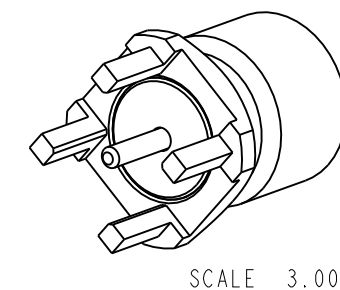
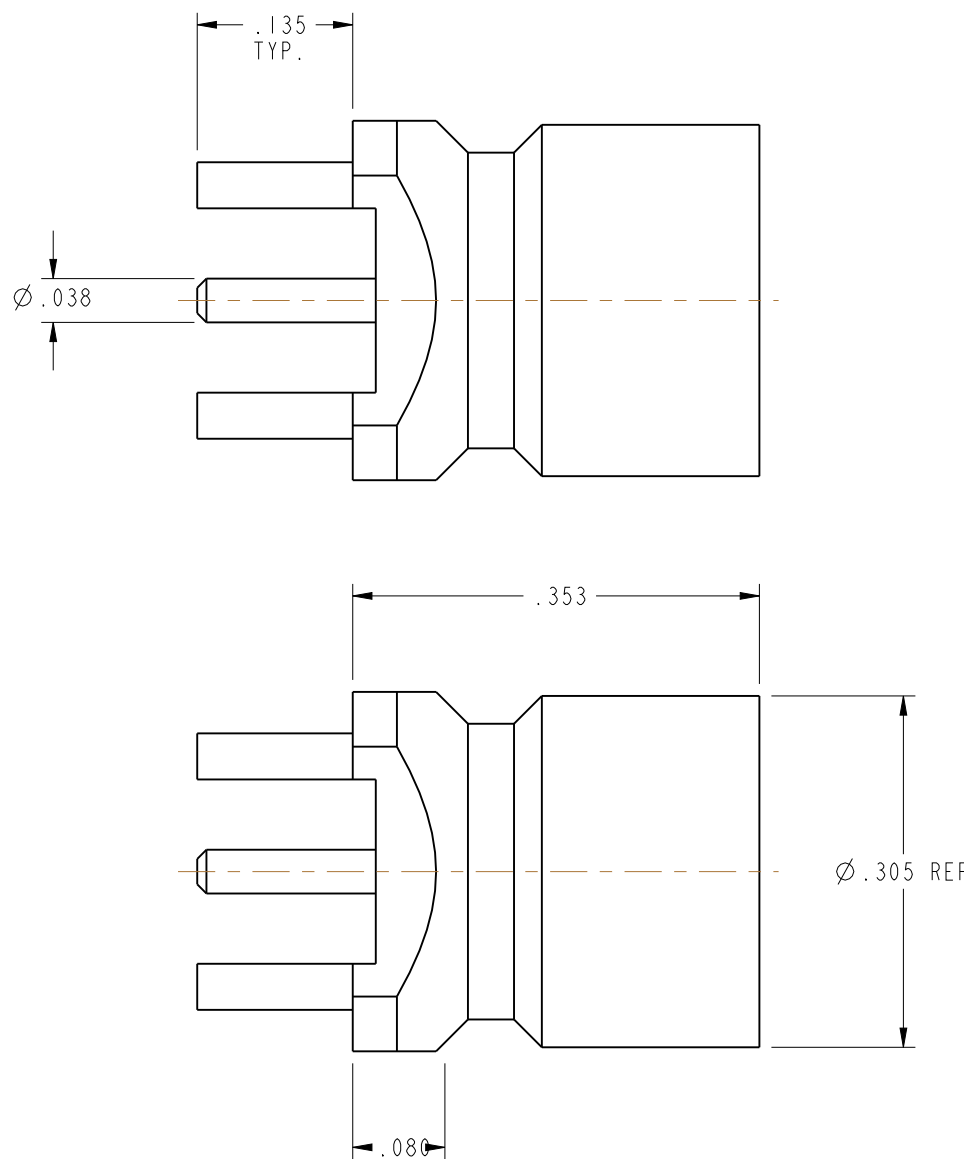
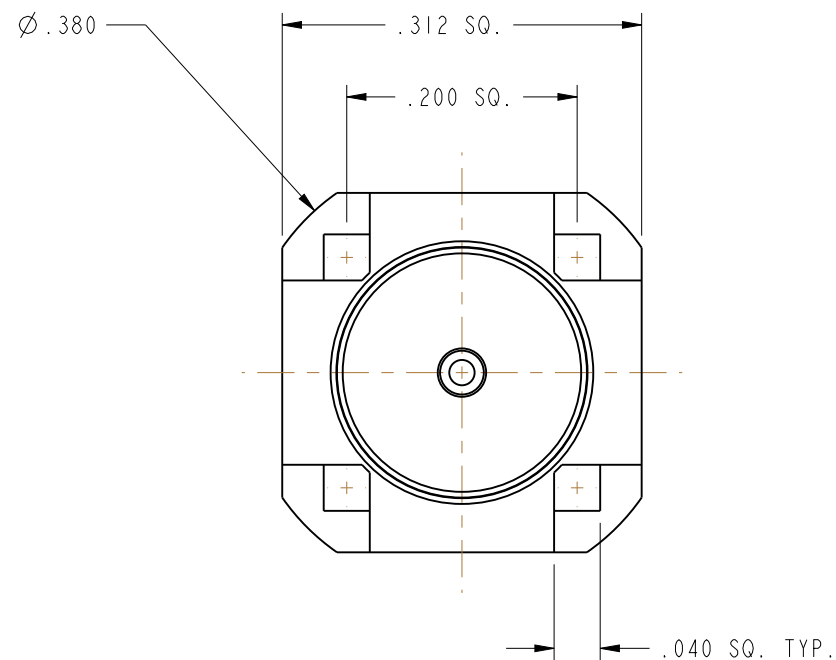
3. MECHANICAL:

A. DURABILITY = 500 CYCLES MIN.
 B. TEMPERATURE RANGE = -65° C TO +165° C
 C. ENGAGEMENT FORCE = 5.0 LBS MAX.
 DISENGAGEMENT FORCE = 0.5 LBS. MIN.

4. PACKAGING:

A. QUANTITY: SINGLE PACK
 B. BAG TO BE MARKED: "AMPHENOL, 920-133J-71P, AND DATE CODE"

920-133J-71P		REVISIONS			
DRAWING NO.	REV	DESCRIPTION	DATE	ECO	APPR
THIRD ANGLE PROJ.	A	RELEASED TO MFG	11/20/02	44283	CPM
	B	PART ROBUSTNESS INCREASED	5/11/12	48718	DD



CUSTOMER OUTLINE DRAWING
 ALL OTHER SHEETS ARE FOR INTERNAL USE ONLY

UNLESS OTHERWISE SPECIFIED, DIMENSIONS ARE IN INCHES AND TOLERANCES ARE: 2 PLACE DECIMAL ±.015 (0,381 mm) 3 PLACE DECIMAL ±.005 (0,127 mm) ANGLES ± 1°	MATERIAL	DRAWN C. McGRATH	DATE 11/6/02	TITLE AFI PCB		Amphenol RF Danbury, CT, USA Tainan, Taiwan Shenzhen, China www.amphenolrf.com	
	REFERENCE EAR# 638 GEN# ASSYF10_AFI 615X-1810-800 SIMILAR TO: 920-100P-71P	ENGINEER MIKE HOYACK	DATE 11/6/02				
NOTICE - These drawings, specifications, or other data (1) are, and remain the property of Amphenol Corp. (2) must be returned upon request; and (3) are confidential and not to be disclosed to any person other than those to whom they are given by Amphenol Corp. The furnishing of these drawings, specifications, or other data by Amphenol Corp., or to any other person to anyone for any purpose is not to be regarded by implication or otherwise in any manner licensing, granting rights or permitting such holder or any other person to manufacture, use or sell any product, process or design, patented or otherwise, that may in any way be related to or disclosed by said drawings, specifications, or other data.		CAD FILE I:\AFI\920-133J-71P	CODE ID 74868	DWG SIZE B	DRAWING NO. 920-133J-71P	SCALE: 6.0:1	SHEET 2 OF 2