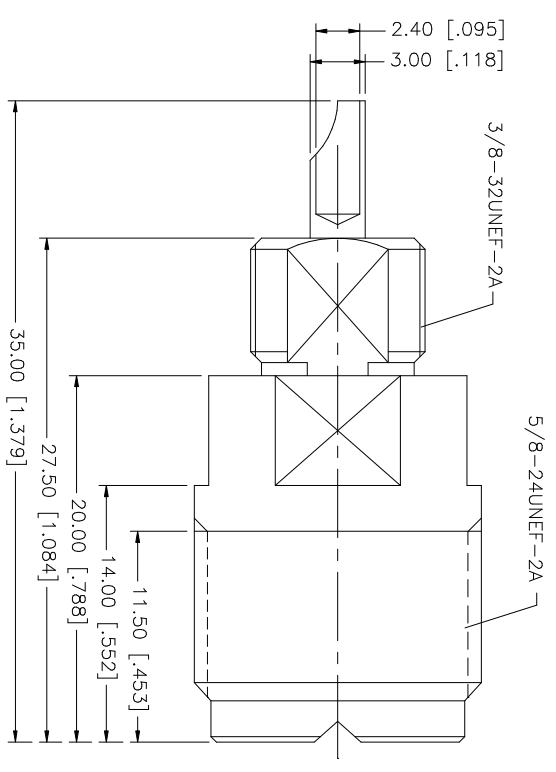
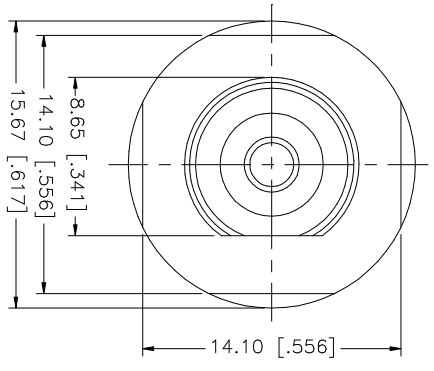
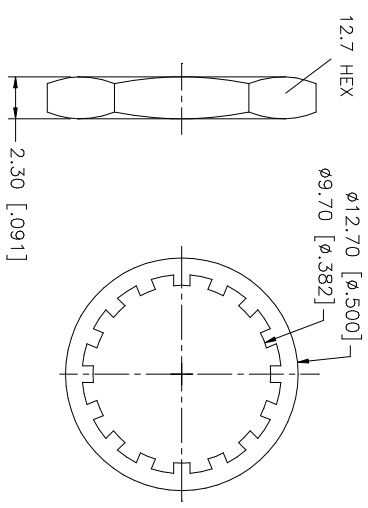
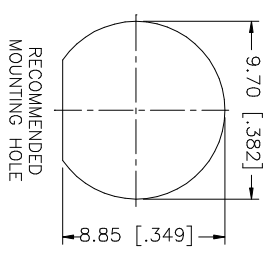


REV.	DATE	DESCRIPTION
NC	05/20/03	INITIAL RELEASE



UNLESS OTHERWISE SPECIFIED DIMENSIONS ARE IN MILLIMETERS, DIMENSIONS IN [] ARE IN INCHES AND FOR CUSTOMER REFERENCE ONLY.	UNLESS OTHERWISE SPECIFIED TOLERANCES FOR MILLIMETERS ARE:	UNLESS OTHERWISE SPECIFIED TOLERANCES FOR INCHES ARE:	APPROVALS	DATE	PART DESCRIPTION
1	0.5 - 8mm ± 0.20mm	.020 - .315 = ± 0.007"	DRAWN	05/20/03	<p style="text-align: center;">Amphenol Connex</p> <p style="text-align: center;">UHF BULKHEAD RECEPTACLE JACK WITH BNC MOUNTING HOLE</p> <p style="text-align: center;">182131</p>
2	8 - 30mm ± 0.40mm	.315 - 1.180 = ± 0.015"	CHECKED		
3	30 - 120mm ± 0.50mm	1.180 - 4.724 = ± 0.020"	ISSUED		
4			SHEET	1 OF 1	
5			CAD FILE		PART NO.
6			DO NOT SCALE DRAWING		DWG. NO.
7					REV.
8					NC
					SIZE
					A
					SCALE
					NA

DESCRIPTION	MATERIAL	FINISH	QTY
1	BRASS	NICKEL	1
2	INSULATOR	TEFLON	1
3	CONTACT PIN	BRASS	1
4	LOCK WASHER	BRASS	1
5	HEX NUT	BRASS	1
6			
7			
8			