

SPECIFICATIONS

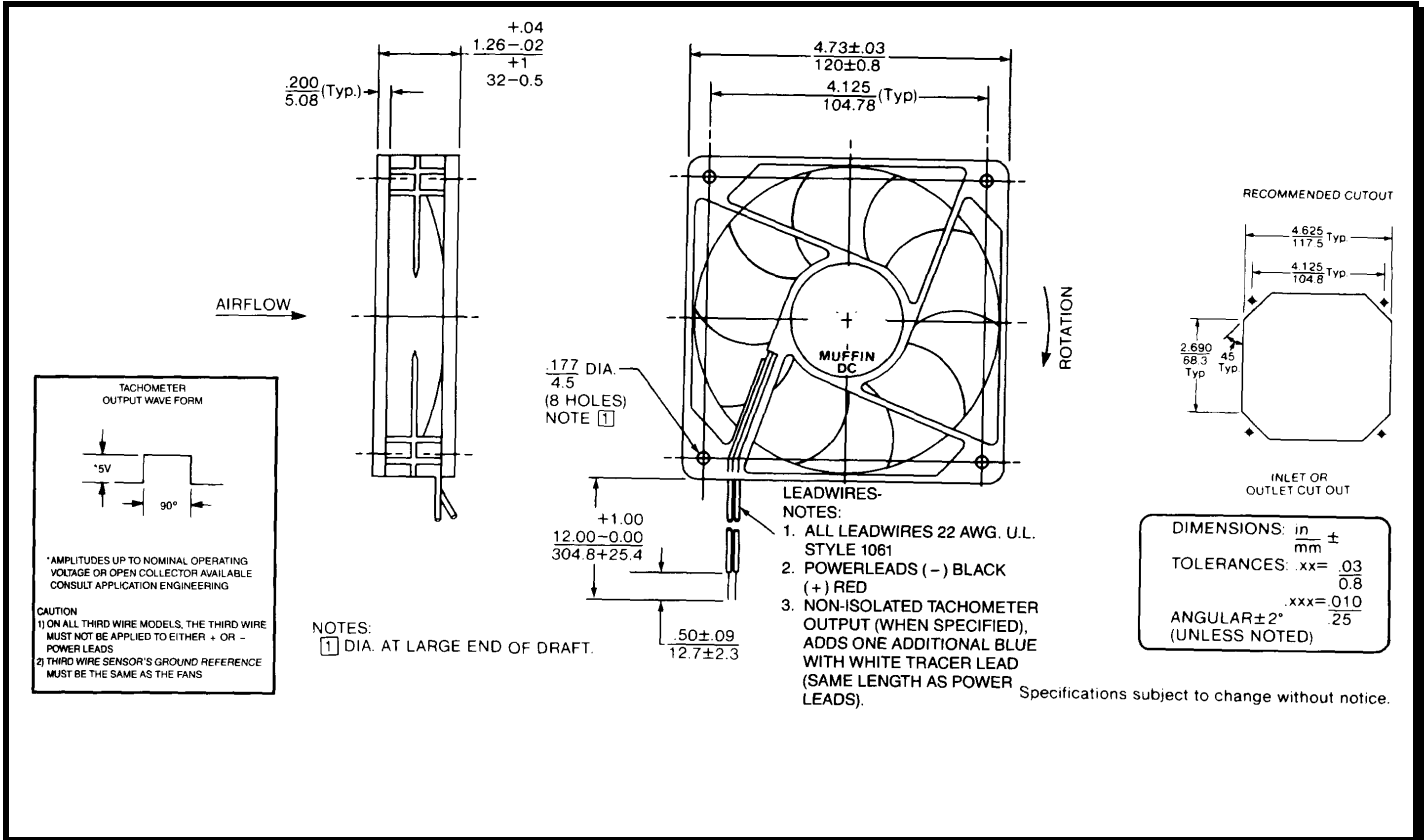


Model Number: MC24B7X-E2

Part Number: 19041170A

November 23, 2011

Mechanical Drawing:



Motor:

Nominal Voltage	= 24 vdc
Operating Voltage Range	= 12 - 28 vdc
Nominal Running Current	= 0.23 amps
Locked Rotor Current	= 0.83 amps
Running Power	= 5.5 watts
Average Speed	= 3700
Bearings	= Ball
Max Air Flow	= 102 CFM
Acoustic	= 47.8 dBA

Construction:

Venturi: Lexan 500, Black, UL94V-0
Propeller: Polypropylene, Black, UL94V-0

Life Expectancy:

This fan is designed for continuous duty life of 75,000 hours at 40°C

Agency Approvals:

UL

Additional Features:

Brushless DC Motor
Polarity Protected.
Locked Rotor Protection.
Automatic Restart
6-32 inserts on 8 mounting holes
Enviroshield Type 2

Termination:

12" Lead Wires, 22 AWG, UL1061
Red - Power
Black - Return
Blue/White - Tachometer

Tachometer Output:

Output: 5 volt TTL Compatible
I_c: 5mA Typical
Pulse per Revolution: 2
Isolated: No