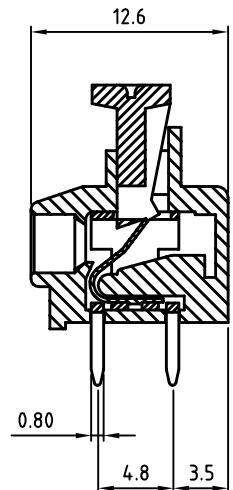
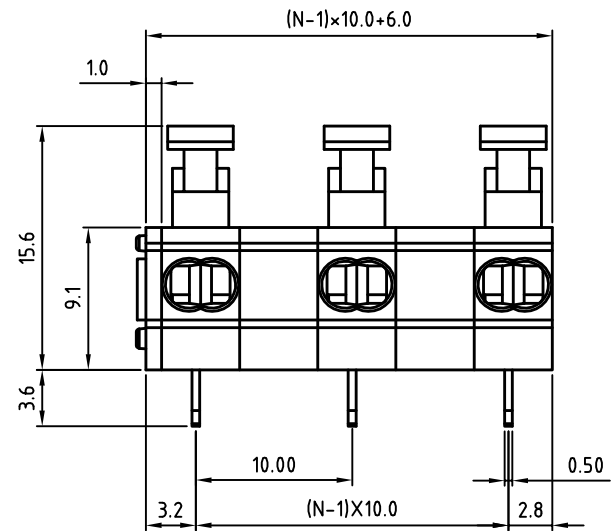
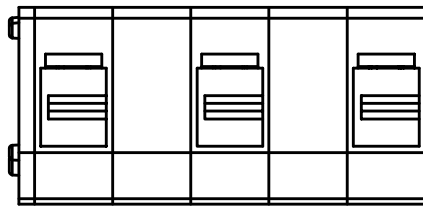


SIGN	DATE	DESCRIPTION	APPROVER
		<b>THIS IS CAD DRAWING, DO NOT REVISE MANUALLY!!!</b>	



- Material**
- Terminal body (Contact pin): Brass
  - Wire guard: Stainless steel
  - Surface of solder tail: Tin plated
  - Insulator (housing): Thermoplastic (UL94V-0)

- Electrical cULus**
- Voltage rating: 300VAC
  - Current rating: 10A
  - Wire range:
    - Solid wire: 2xAWG 18-24
    - Stranded wire: 2xAWG 18-24
  - Wire strip length: 6-7mm
  - Withstanding Voltage: 1.6KV
  - Operating temperature: -30°C to +105°C
  - Soldering temperature: 250°C±10°C/5 Sec

RoHS Compliant

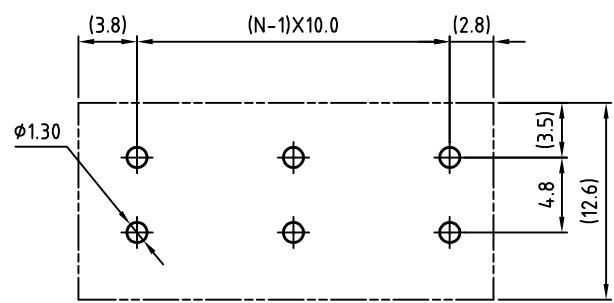
PART NUMBER:

**OSTHBXX1280**

- No. of Poles**
- 02: 2 Poles
  - 03: 3 Poles
  - 12: 12 Poles

- COLOR**
- 0: Black
  - 5: Green
  - 6: Blue
  - 8: Grey (Standard)

N=NUMBER OF CONTACTS



P.C.B. LAYOUT

THESE DRAWINGS AND SPECIFICATIONS ARE THE PROPERTY OF ON-SHORE TECHNOLOGY, INC. AND SHALL NOT BE REPRODUCED, COPIED OR USED IN ANY MANNER WITHOUT THE PRIOR WRITTEN CONSENT OF ON-SHORE TECHNOLOGY, INC.



TITLE		OSTHB -10.0mm series double wire			
PART NO.	OSTHBXX1280	DWG NO.	OSTHBXX1280.DWG		
APPROVED	CHECKED	DESIGNED	DRAWN	CUST NO.	Tolerance
Shi Jun 2006.11.01	Marvin 2006.10.05	Marvin 2006.10.05	Marvin 2006.10.05		X. ±0.50 X.X ±0.30 X.XX ±0.10 X° ±1°
				UNIT: mm	
				SCALE: NONE	
				REV: B	
				SHEET: 01/01	