

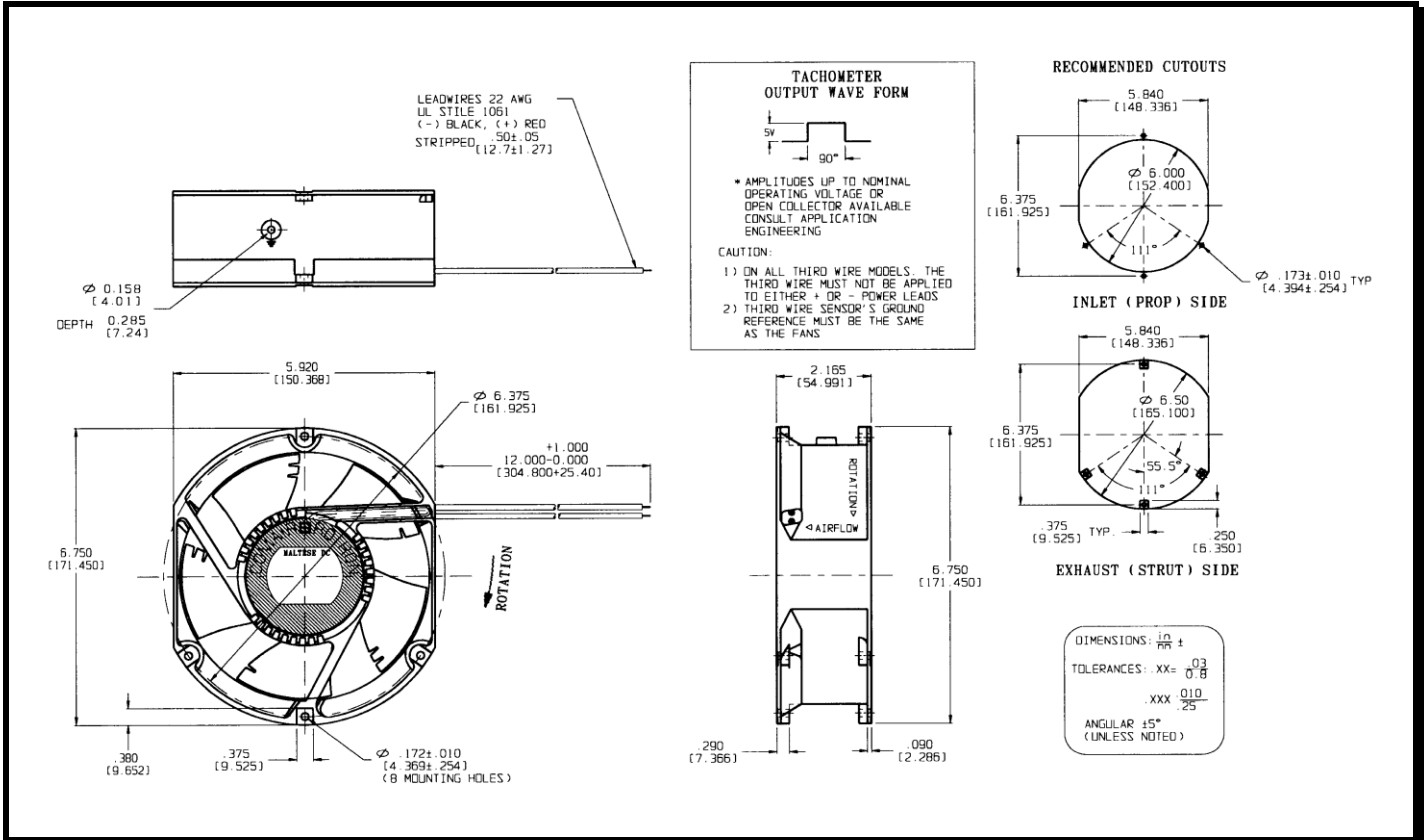
SPECIFICATIONS



Model Number: MT24B3
Part Number: 19031843A

Version: 02
Feb 26, 2021

Mechanical Drawing:



Motor:

Nominal Voltage = 24 Vdc
 Operating Voltage Range = 12 - 28 Vdc
 Nominal Running Current = 1.70 Amps
 Max. Locked Rotor Current = 3.00 Amps
 Running Power = 40.8 Watts
 Average Speed = 3400 RPM
 Bearings = Ball
 Air Flow = 298 CFM
 Acoustic = 57.1 dBA

Construction:

Venturi: Single piece diecast aluminum, black.
 Propeller: Injection molded of flame retardant polycarbonate, UL94V-0 rated, black.

Life Expectancy:

This fan is designed for continuous duty life of 76,000 hours at 40°C.

Additional Features:

Brushless DC Motor
 Electronic Locked Rotor Protection
 Reverse Polarity Protection
 Automatic Restart Capability
 Operating Temperature Range: -10°C to 70°C
 Storage Temperature Range: -40°C to 85°C

Termination:

12.0" Lead wires, 22AWG, UL 1061 Style
 Red = Power(+)
 Black = Return(-)

Agency Approvals:

UL, CUL, CE

PQ Curve:

