

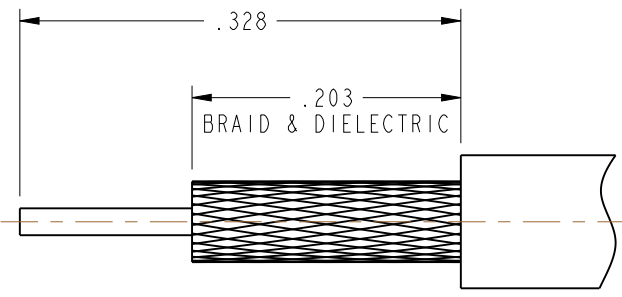
NOTES:

- MATERIALS AND FINISHES:
 BODY & CONTACT - BeCu, GOLD PLATING
 BUSHING, CLAMP NUT, LOCKWASHER, HEX NUT & BRAID CLAMP - BRASS, GOLD PLATING
 INSULATORS - PTFE, NATURAL
 GASKETS - SILICONE RUBBER, RED
- ELECTRICAL:
 A. IMPEDANCE: 50 OHM
- MECHANICAL:
 A. TEMPERATURE RANGE: -65° C TO +165° C
- PACKAGING:
 A. QUANTITY: SINGLE PACK
 B. MARKING: BAG TO BE MARKED
 "AMPHENOL RF, 901-256-11, AND DATE CODE"
- CABLE ASSEMBLY INSTRUCTIONS:
 A. CUT JACKET TO DIMENSION SHOWN.
 B. COMB OUT BRAID AND FOLD OUT.
 C. PULL BRAID WIRES FORWARD AND TAPER TOWARD CENTER CONDUCTOR. PLACE CLAMP NUT ASSEMBLY OVER BRAID AND PUSH BACK AGAINST CABLE JACKET. FOLD BACK BRAID WIRES, TRIM AS NECESSARY SO THAT WIRES DO NOT TOUCH SHOULDER OF GASKET.
 D. SCREW TRIM TOOL 901-G ONTO CLAMP NUT ASSEMBLY. TIGHTEN NUT LIGHTLY. DO NOT DAMAGE GASKET. USING RAZOR BLADE, REMOVE EXPOSED DIELECTRIC. CUT MUST BE SQUARE. DO NOT NICK CENTER CONDUCTOR.
 E. REMOVE DIELECTRIC TRIM TOOL AND CLEAN ALL SURFACES THOROUGHLY. ASSEMBLE BUSHING ASSEMBLY AND SOLDER CENTER CONTACT TO CABLE.
 F. THREAD CONNECTOR ASSEMBLY ONTO PREPARED CABLE ASSEMBLY TIGHTEN TO 20-25 IN.-LBS TORQUE.
- CUSTOMER NOTE: SOLDER CONTACT TO CABLE.

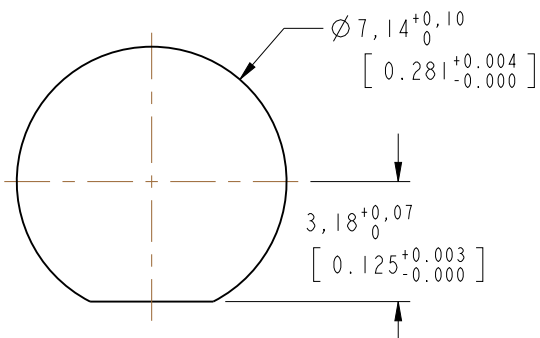
7 SHOWS CABLE ENTRY DIMENSIONS.

THIRD ANGLE PROJ.

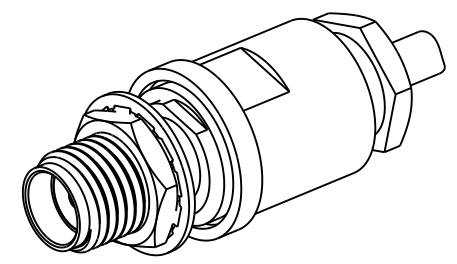
REVISIONS				
REV	DESCRIPTION	DATE	ECO	APPR
--	RELEASE TO MFG.	--	--	--
AA	11/32 ACROSS FLAT WAS 11/16 ACROSS FLAT	15-Mar-19	10981	MRM



RECOMMENDED CABLE STRIPPING DIMENSIONS

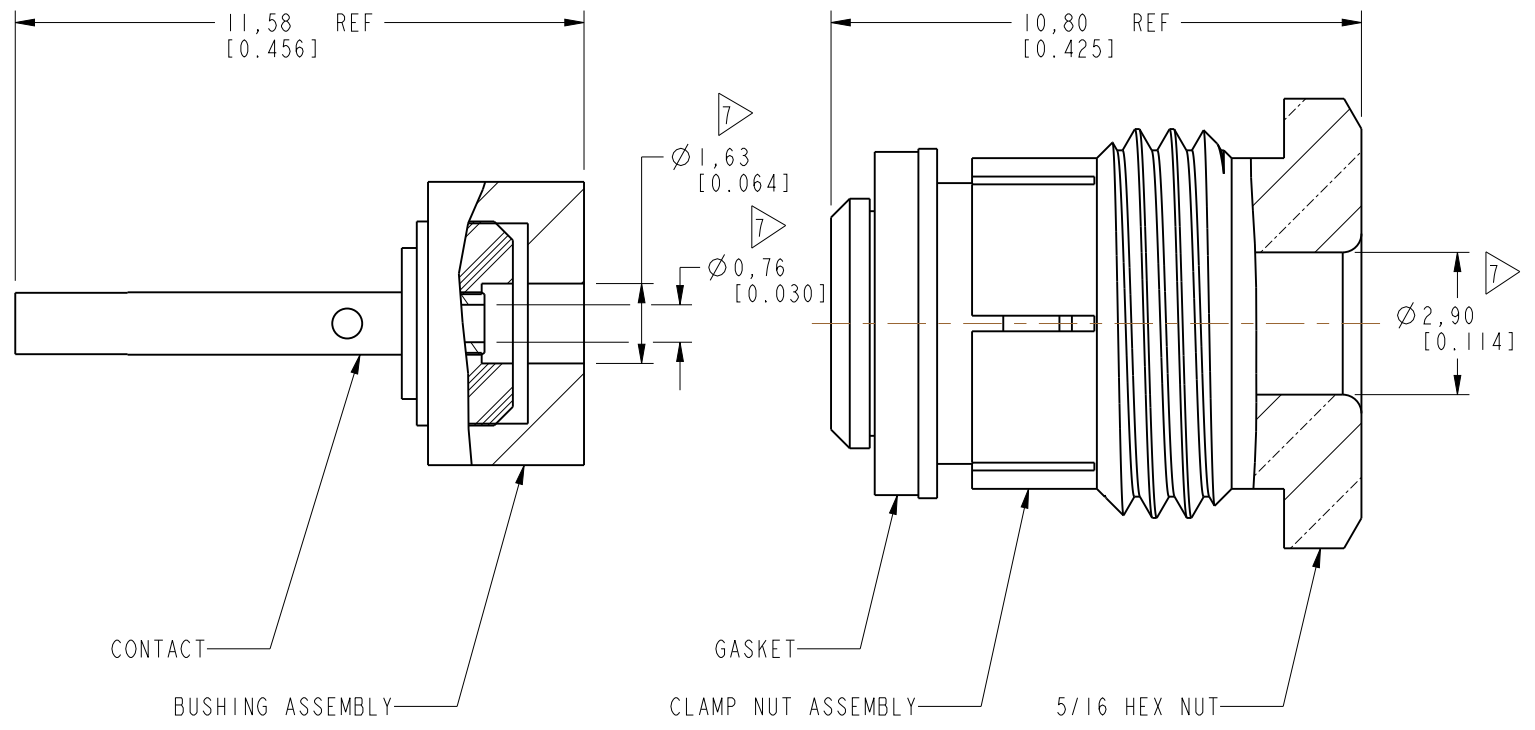
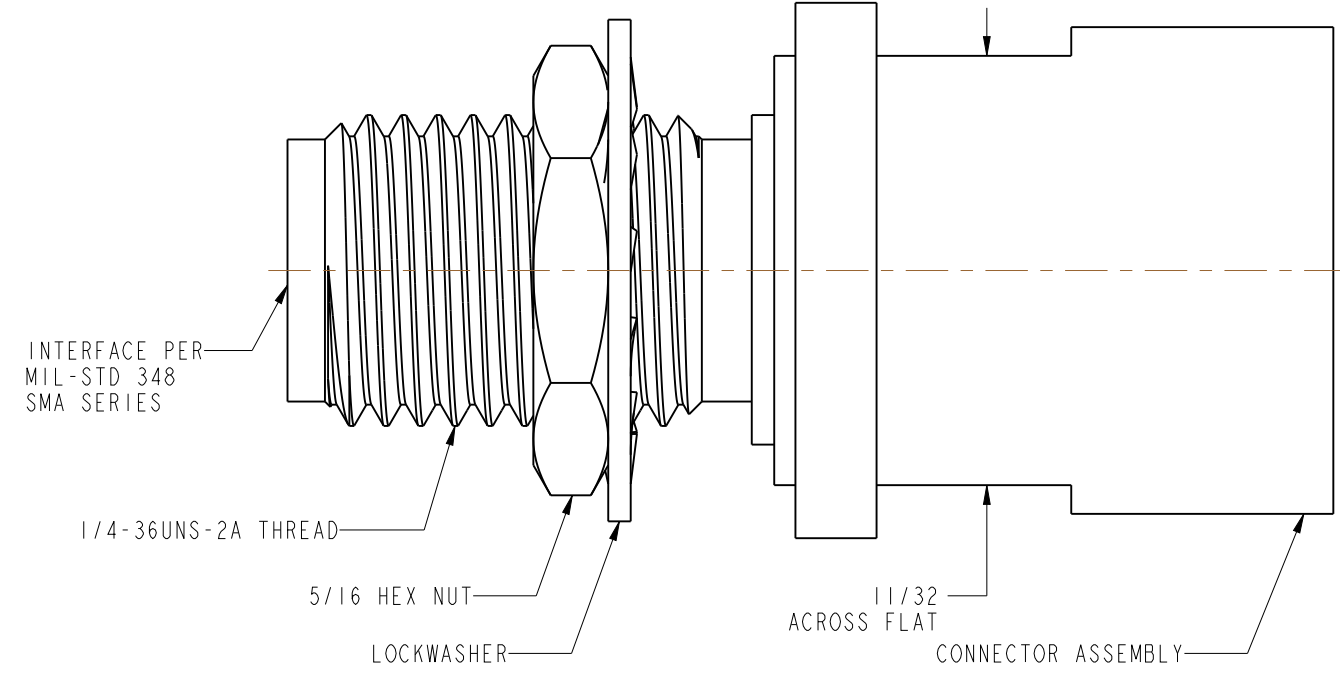


RECOMMENDED MOUNTING HOLE DIMENSIONS



SCALE 2.200

MIL-C-39012 INSPECTION



THIS CONNECTOR COVERED BY U.S. PATENT 3,676,573 & 3,651,941

CUSTOMER OUTLINE DRAWING ALL OTHER SHEETS ARE FOR INTERNAL USE ONLY

UNLESS OTHERWISE SPECIFIED, DIMENSIONS ARE IN INCHES AND TOLERANCES ARE: 2 PLACE DECIMAL 3 PLACE DECIMAL ±.015 (0,381 mm) ±.005 (0,127 mm) ANGLES ± 1°	MATERIAL	DRAWN	DATE	TITLE		Amphenol RF www.amphenolrf.com	
	SEE NOTES	MICHAEL MISCHKE	15-Mar-19	SMA CONNECTOR CLAMP TYPE JACK WITH CAPTIVE CONTACT FOR RG-174/U RG-188/U & RG-316/U CABLES			
NOTICE - These drawings, specifications, or other data (1) are, and remain the property of Amphenol corp. (2) must be returned upon request; and (3) are confidential and not to be disclosed to any person other than those to whom they are given by Amphenol Corp. the furnishing of these drawings, specifications, or other data by Amphenol Corp., or to any other person to anyone for any purpose is not to be regarded by implication or otherwise in any manner licensing, granting rights to permitting such holder or any other person to manufacture, use or sell any product, process or design, patented or otherwise, that may in any way be related to or disclosed by said drawings, specifications, or other data.	REFERENCE	ENGINEER	DATE	SCALE: 6.5:1.0 SHEET 2 OF 2		DRAWING NO. 901-256-11	
	NAVORD 2901150-21A DOR 308987-51 MIL-C-39012/59-4007 CONFIGURATION LEVEL: In Work	KEN CAPOZZI	11/18/13	22-Mar-19	DWG SIZE B		ITEM NO. 901-256-11
	FINISH				REV AA		PART NO. 901-256-11