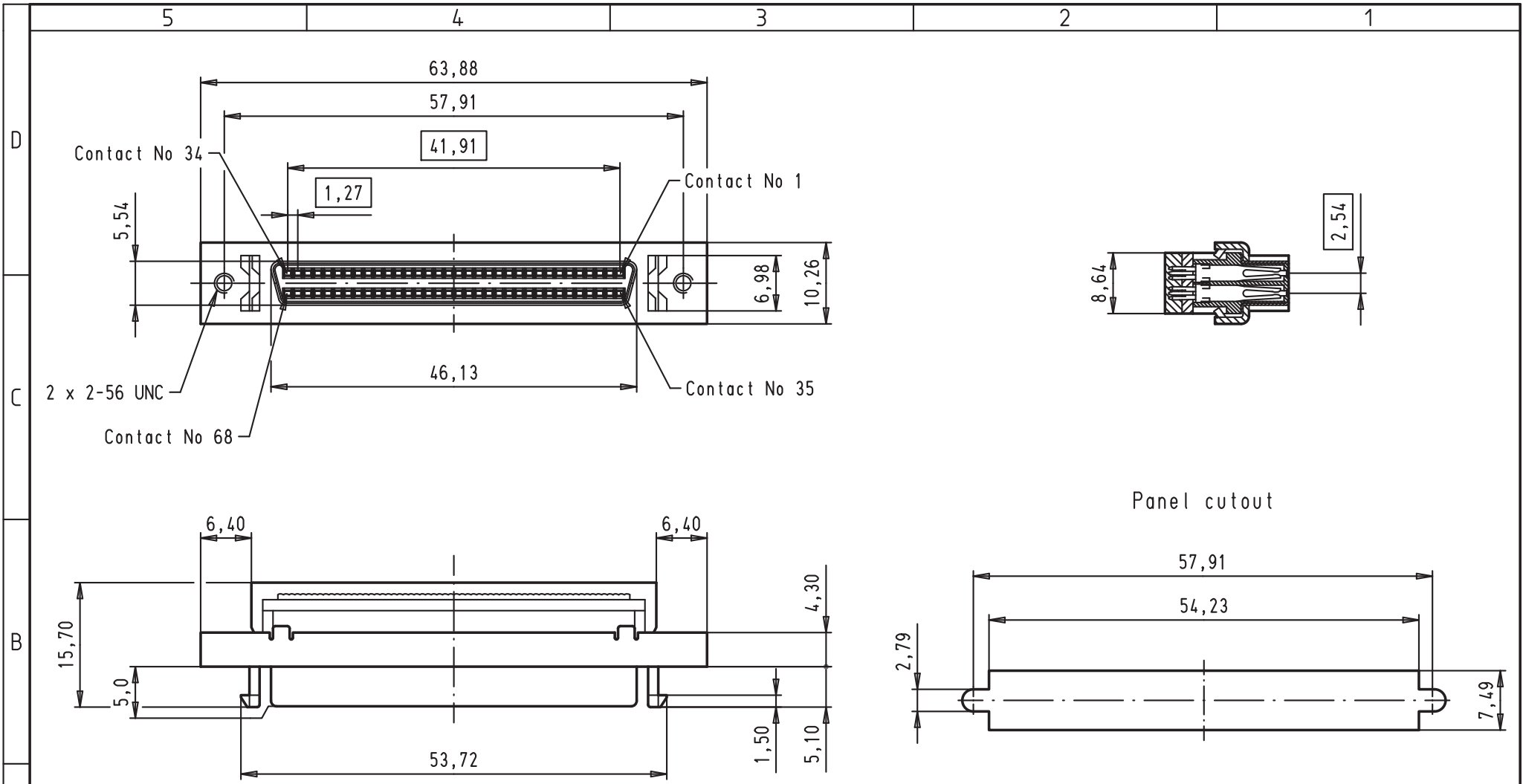




Alle Rechte vorbehalten/ All rights reserved



A					Det.	Name	 Har-mik® I/O pin/socket SCSI 2 IDC panel 68 poles female connector with 2-56 UNC threads and latches	Maßstab/ Scale 1,5:1	
					Detail.	30/08/00 ALSPACE			All Dim. in mm Orig. Size DIN A 4
					Insp.				
					Stand.				
	EC00328	27/03/09	PK	HARTING EURL F-95972 Paris			 TB 60 04 068 5343	Blatt/ Page 1 / 1	
	27941	30/08/00	ALSPACE						
	Mod.	Det.	Name			Sub.			