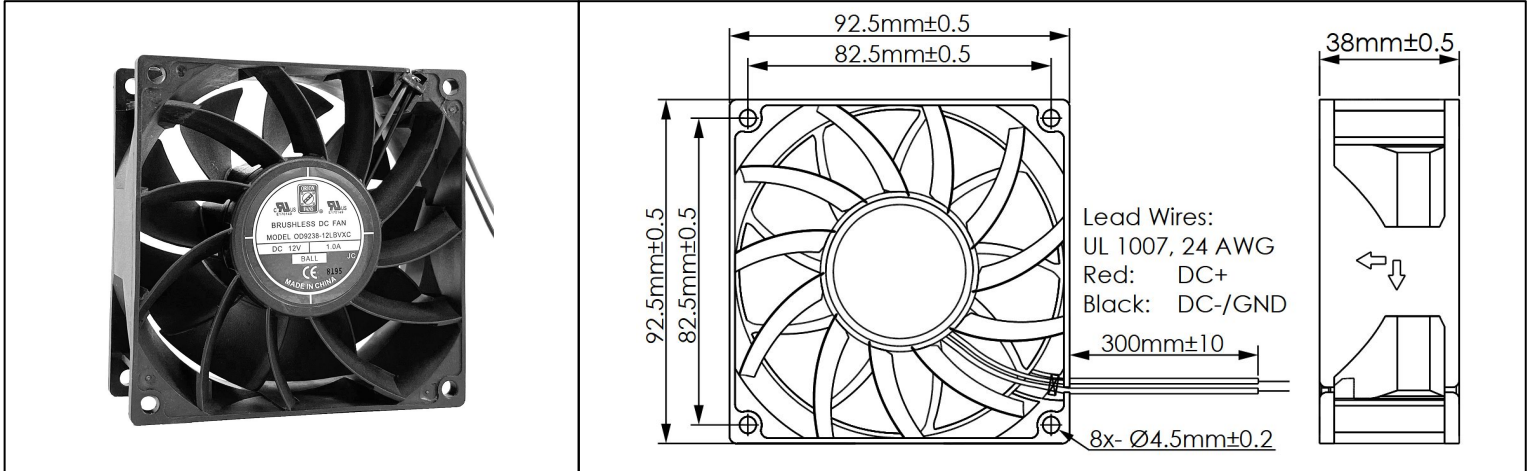


OD9238 VXC High Performance Series



DC Fans, 12V, 24V, 48V
92mm x 38mm (3.62" x 1.5")



Frame	PBT UL94 V-0 Plastic	Operating Temperature -10°C ~ +70°C Storage Temperature -40°C ~ +80°C Life Expectancy 70,000 Hours (L10 at 40°C) Available Options: Tachometer Output PWM Speed Control Input Alarm Output IP Ratings Super High Speeds Weight: 0.47 lbs	
Impeller	PBT UL94 V-0 Plastic		
Connection	2x Lead wires, 24 AWG		
Motor	Brushless DC, Auto Cutoff, Auto Restart, Electronically Protected, Polarity Protected		
Bearing System	Dual Ball Bearings		
Dielectric Strength	500VAC/min, < 1mA		
Insulation Resistance	≥10 MΩ between housing and positive lead wire at 500V DC		

Part Number	Rated Voltage (Volts DC)	Voltage Range (Volts DC)	Input Power (Watts)	Rated Current (Amps)	Rated Speed (RPM)	Airflow (CFM)	Noise Level (dB)	Max. Static Pressure
OD9238-12HBVXC	12 VDC	8 ~ 13.8	24.0	2.00	5400	125	62	0.74" H ₂ O
OD9238-12MBVXC	12 VDC	8 ~ 13.8	18.0	1.50	4800	104	58	0.56" H ₂ O
OD9238-12LBVXC	12 VDC	8 ~ 13.8	12.0	1.00	4400	96	56	0.48" H ₂ O
OD9238-24HBVXC	24 VDC	22 ~ 25	22.8	0.95	5400	125	62	0.74" H ₂ O
OD9238-24MBVXC	24 VDC	22 ~ 25	16.8	0.70	4800	105	58	0.56" H ₂ O
OD9238-48HBVXC	48 VDC	44 ~ 50	21.6	0.45	5400	125	62	0.74" H ₂ O