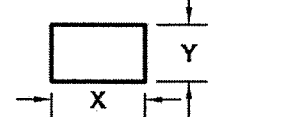
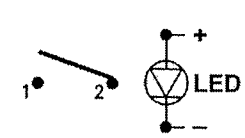
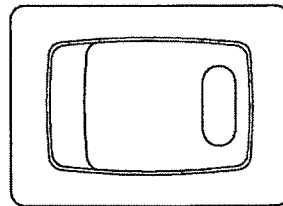
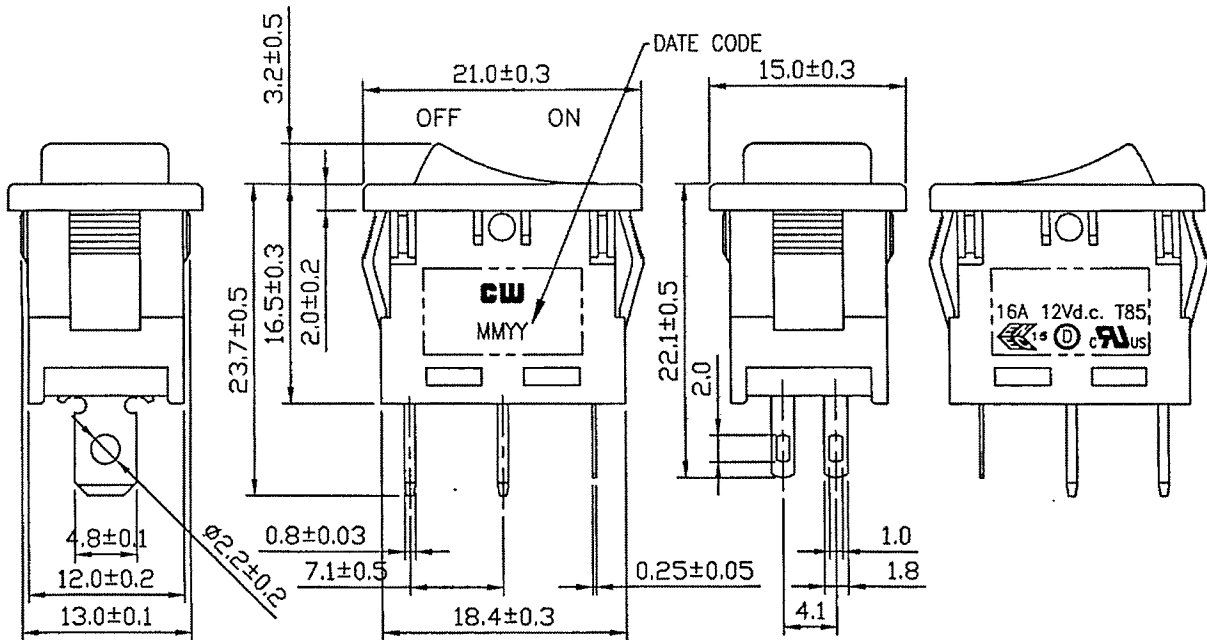


THIS INFORMATION IS CONFIDENTIAL AND PROPRIETARY TO CW INDUSTRIES INCORPORATED AND ITS AFFILIATES. IT MAY NOT BE DISCLOSED TO ANYONE, OTHER THAN CW INDUSTRIES PERSONNEL, WITHOUT WRITTEN AUTHORIZATION FROM CW INDUSTRIES INCORPORATED, SOUTHAMPTON, PENNSYLVANIA USA.

Rating	16A. 12V DC		Mounting Hole  <table border="1"> <thead> <tr> <th>Thickness</th> <th>X</th> <th>Y</th> </tr> </thead> <tbody> <tr> <td>0.75 - 1.25</td> <td>19.2 - 0.1</td> <td>13.0 + 0.1</td> </tr> <tr> <td>1.25 - 2.00</td> <td>19.4 - 0.1</td> <td>13.0 + 0.1</td> </tr> <tr> <td>2.00 - 3.00</td> <td>19.8 - 0.1</td> <td>13.0 + 0.1</td> </tr> </tbody> </table>	Thickness	X	Y	0.75 - 1.25	19.2 - 0.1	13.0 + 0.1	1.25 - 2.00	19.4 - 0.1	13.0 + 0.1	2.00 - 3.00	19.8 - 0.1	13.0 + 0.1	Circuit Diagram 
Thickness	X	Y														
0.75 - 1.25	19.2 - 0.1	13.0 + 0.1														
1.25 - 2.00	19.4 - 0.1	13.0 + 0.1														
2.00 - 3.00	19.8 - 0.1	13.0 + 0.1														
Contact Resistance	50m ohm max.															
Insulation Resistance	DC 500V 100M ohm min.															
Dielectric Strength	AC 1500V 1 minute															
Operating Temperature	-20°C ~ 85°C															
Switch Function	2P SPST ON-OFF LED Independent															
Lamp Type	LED Green @ 20mA, If=2.2VDC No Resistor															



Material:
 Frame: Black,Nylon#66
 Actuator: Black,Nylon#66
 LED Lens: Green PC
 LED:Green



Tolerances Unless Otherwise Specified +/- 0.3mm.

RoHS Compliant

4 Removed 20A rating, 12V sticker and 2P was 4P. Updated views. 1/5/15.

CW INDUSTRIES
 Southampton, Pa. 18966
 Tel 215.355.7080/www.cwind.com

Date Drawn: 12/17/09

Rev. 4

Unit: mm

Checked By: *G. GOLD*

Title:
ROCKER SWITCH

CW P/N:
GRB066L02BBGGL1