



# LEAF HINGE - VERSION 7, 8, 9, 10



Hinge Rotation Angle



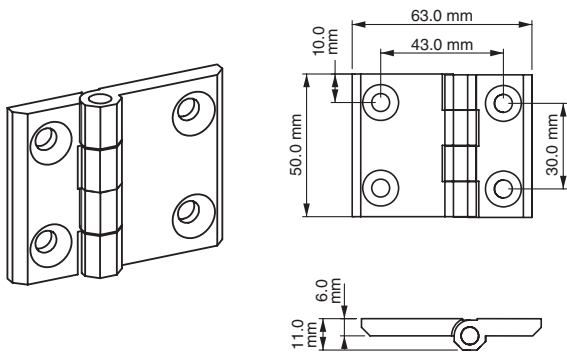
### Specifications

- Material:  
Body: Zinc Alloy (Zamak) DIN-EN 1774-ZnAl4Cu1  
Pin: Stainless Steel
- Maximum hinge rotation 270°
- Available in three sizes, hole or stud installation:  
- 50 mm x 50 mm  
- 50 mm x 63 mm  
- 50 mm x 76 mm

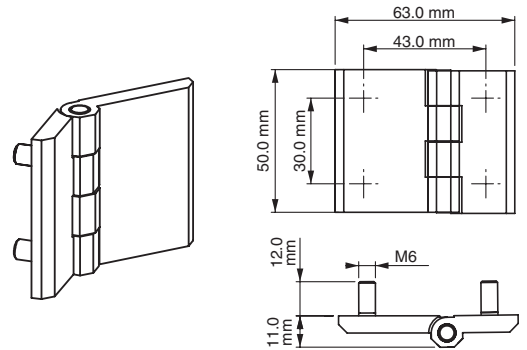
### Features

- Generally used for plain / flush-mounted doors
- Stud versions fitted with M6 x 12 mm threaded stud
- Stainless steel (AISI 304) hinge pin
- Applications: Electric panels, built-in covers

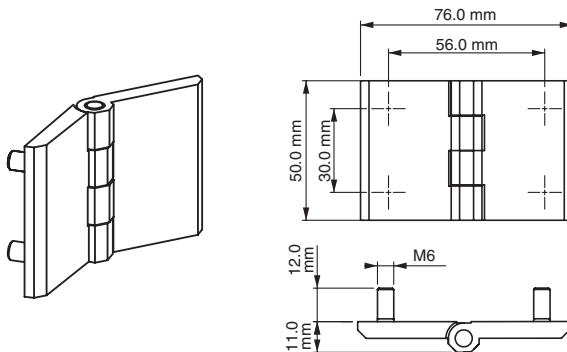
Version 7



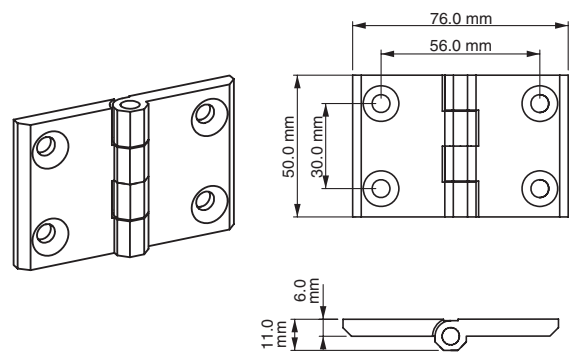
Version 8



Version 9



Version 10



Item Number	Hinge Rotation	Material	Finish	Version
099-1-1-10	270°	Zinc Alloy	Chrome	10
099-1-1-7	270°	Zinc Alloy	Chrome	7
099-1-1-8	270°	Zinc Alloy	Chrome	8
099-1-1-9	270°	Zinc Alloy	Chrome	9
099-1-2-10	270°	Zinc Alloy	Black	10
099-1-2-7	270°	Zinc Alloy	Black	7
099-1-2-8	270°	Zinc Alloy	Black	8
099-1-2-9	270°	Zinc Alloy	Black	9