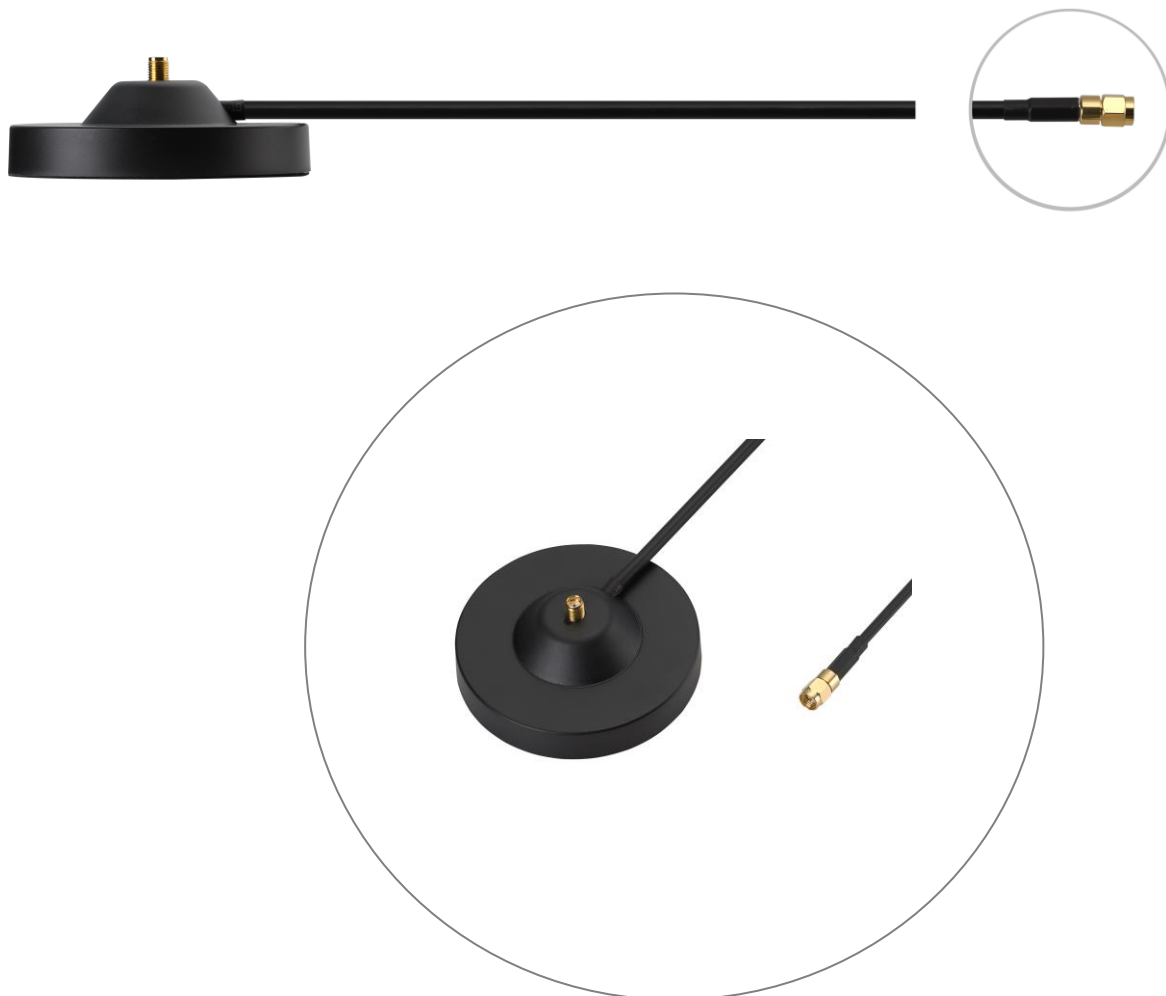


## SPECIFICATION

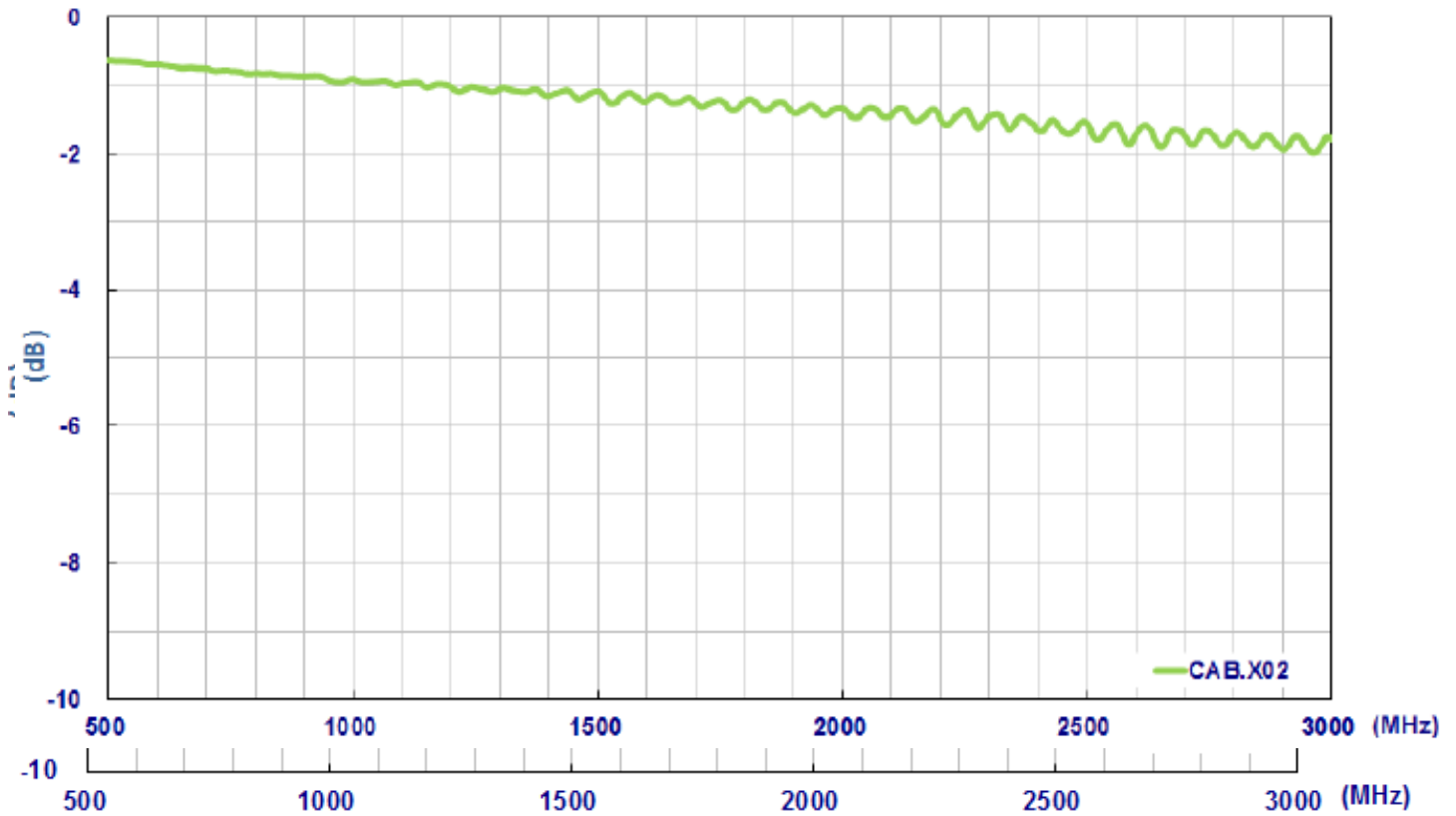
Part No. : **CAB.X02**

Product Name : Taoglas Magnet Mount Antenna Base with Cable  
2M Low Loss CFD-200 cable  
SMA(F) on base to SMA(M) Straight Plug on cable

Photo :

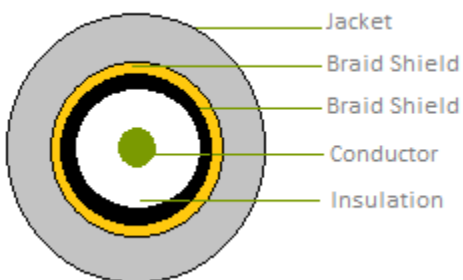


## 1. Cable Insertion Loss

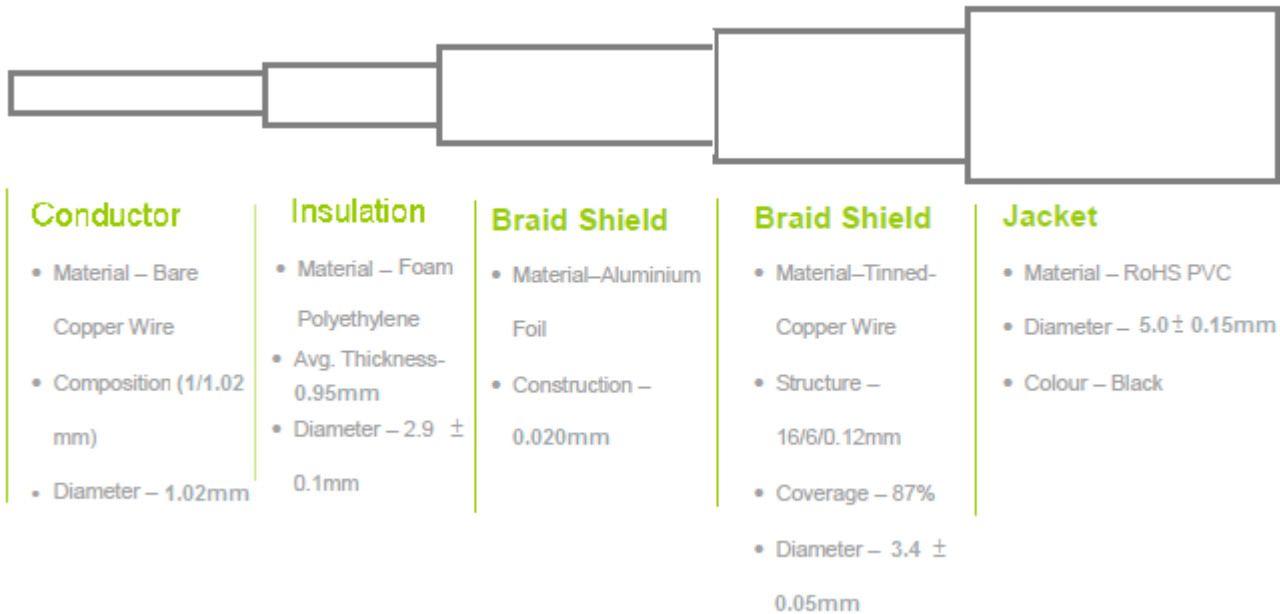


## 2. CFD-200 Cable Specification

### 2.1 Drawing – Cross Section



## 2.2 Structure and Dimensions

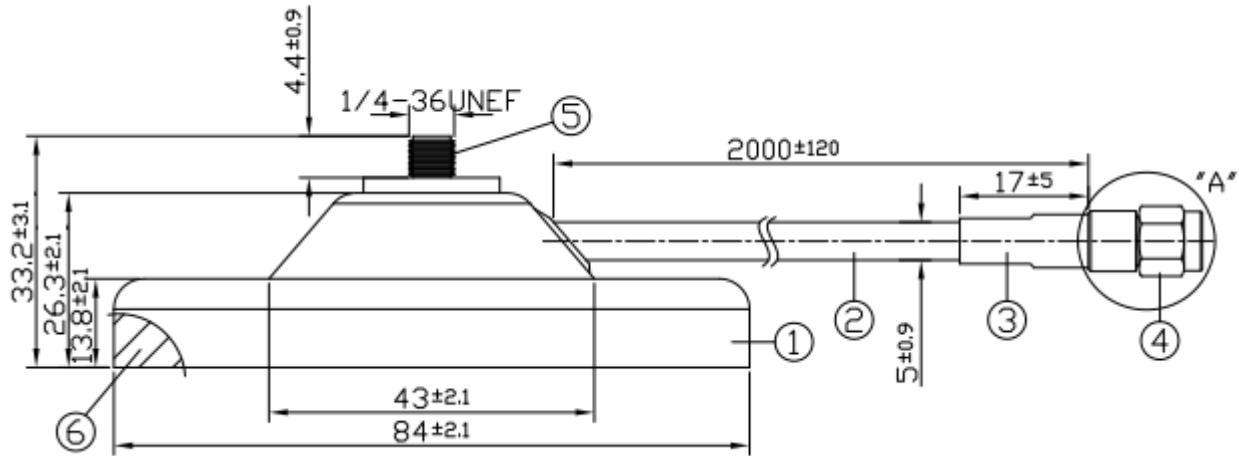


## 2.3 Electrical & Physical Specification

| ELECTRICAL            |                                    |        |        |         |         |         |
|-----------------------|------------------------------------|--------|--------|---------|---------|---------|
| Attenuation           | 150MHz                             | 450MHz | 900MHz | 1500MHz | 1800MHz | 2500MHz |
| dB/100M               | 12.1                               | 21.6   | 31.2   | 41.1    | 45.3    | 54.4    |
| Insulation Resistance | 1000 MΩ-Km (Min)                   |        |        |         |         |         |
| Capacitance           | 80.4 ± 3 pF/m                      |        |        |         |         |         |
| Nom. Impedance        | 53 ± 3 Ω                           |        |        |         |         |         |
| MECHANICAL            |                                    |        |        |         |         |         |
| Cable Type            | CFD-200 coaxial cable              |        |        |         |         |         |
| Cable length          | 2 Meters                           |        |        |         |         |         |
| Connectors            | SMA(M)<br>SMA(F) Magnet Mount Base |        |        |         |         |         |
| Connector Max. Torque | 0.9N·m                             |        |        |         |         |         |
| Magnetic Pull Force   | 2.92kgf                            |        |        |         |         |         |
| Weight                | 330g                               |        |        |         |         |         |
| Magnet                | Ferric Oxide                       |        |        |         |         |         |
| ENVIRONMENTAL         |                                    |        |        |         |         |         |
| Temperature Range     | -40°C to 85°C                      |        |        |         |         |         |
| Humidity              | Non-condensing 65°C 95% RH         |        |        |         |         |         |

### 3. Technical Drawing

#### 3.1 CAB.X02



|   | Name                 | Material   | Finish | QTY |
|---|----------------------|------------|--------|-----|
| 1 | SMA(F) Magnet Mount  | ASA        | Black  | 1   |
| 2 | CFD200 Coaxial Cable | PVC        | Black  | 1   |
| 3 | Heat Shrink Tube     | PE         | Black  | 1   |
| 4 | SMA(M) ST            | Brass      | Gold   | 1   |
| 5 | SMA(F) ST            | Brass      | Gold   | 1   |
| 6 | Magnet               | Magnet T30 | N/A    | 1   |

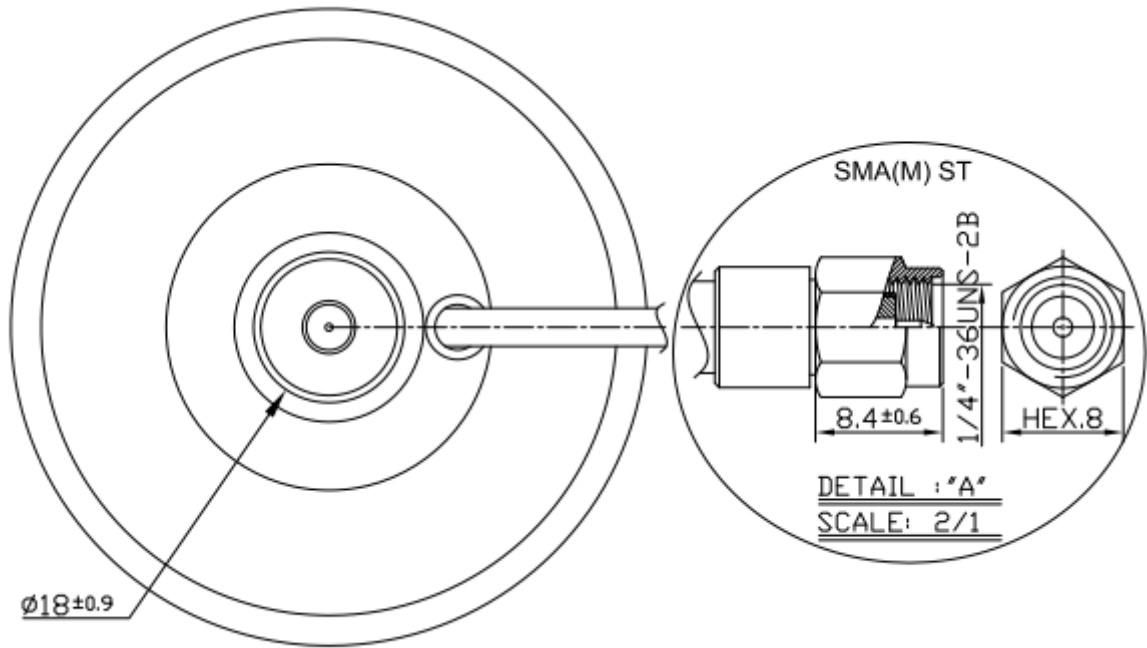
Note:

Minimum Bend Radius:12.7mm

SMA Connector Recommended Torque for Mounting is 0.9N·m

Maxium Torque for Mounting is 1.176 N·m

### 3.2 Connectors

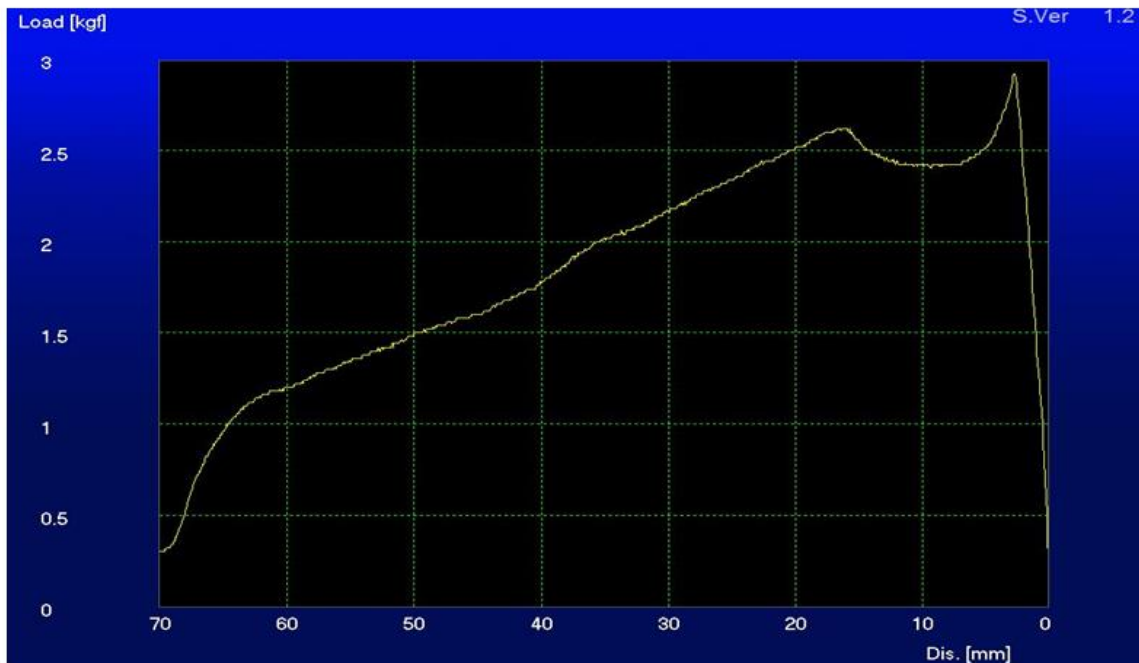


## 4. Magnetic Pull Force Limit (kilogram-force, kgf)

### 4.1 Testing setup

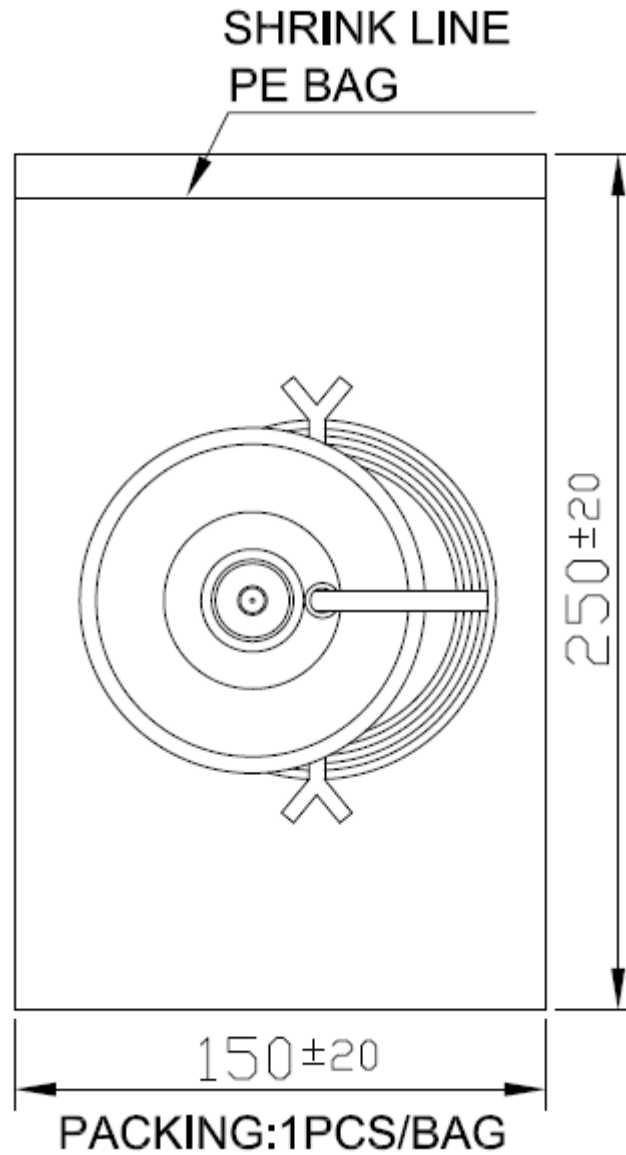


|                    |      |      |      |      |      |             |      |      |      |      |
|--------------------|------|------|------|------|------|-------------|------|------|------|------|
| Distance(mm)       | 0.5  | 1.0  | 1.5  | 2.0  | 2.5  | <b>2.8</b>  | 3.5  | 4.0  | 4.5  | 5.0  |
| Pulling force(Kgf) | 0.86 | 1.37 | 1.86 | 2.32 | 2.75 | <b>2.92</b> | 2.73 | 2.65 | 2.58 | 2.52 |
| Distance(mm)       | 5.5  | 6.0  | 6.5  | 7.0  | 7.5  | 8.0         | 8.5  | 9.0  | 9.5  | 10.0 |
| Pulling force(Kgf) | 2.49 | 2.46 | 2.44 | 2.42 | 2.42 | 2.42        | 2.42 | 2.41 | 2.41 | 2.42 |



Maximum Pull Force : 2.92kgf

## 5. Packaging



Unit: mm