

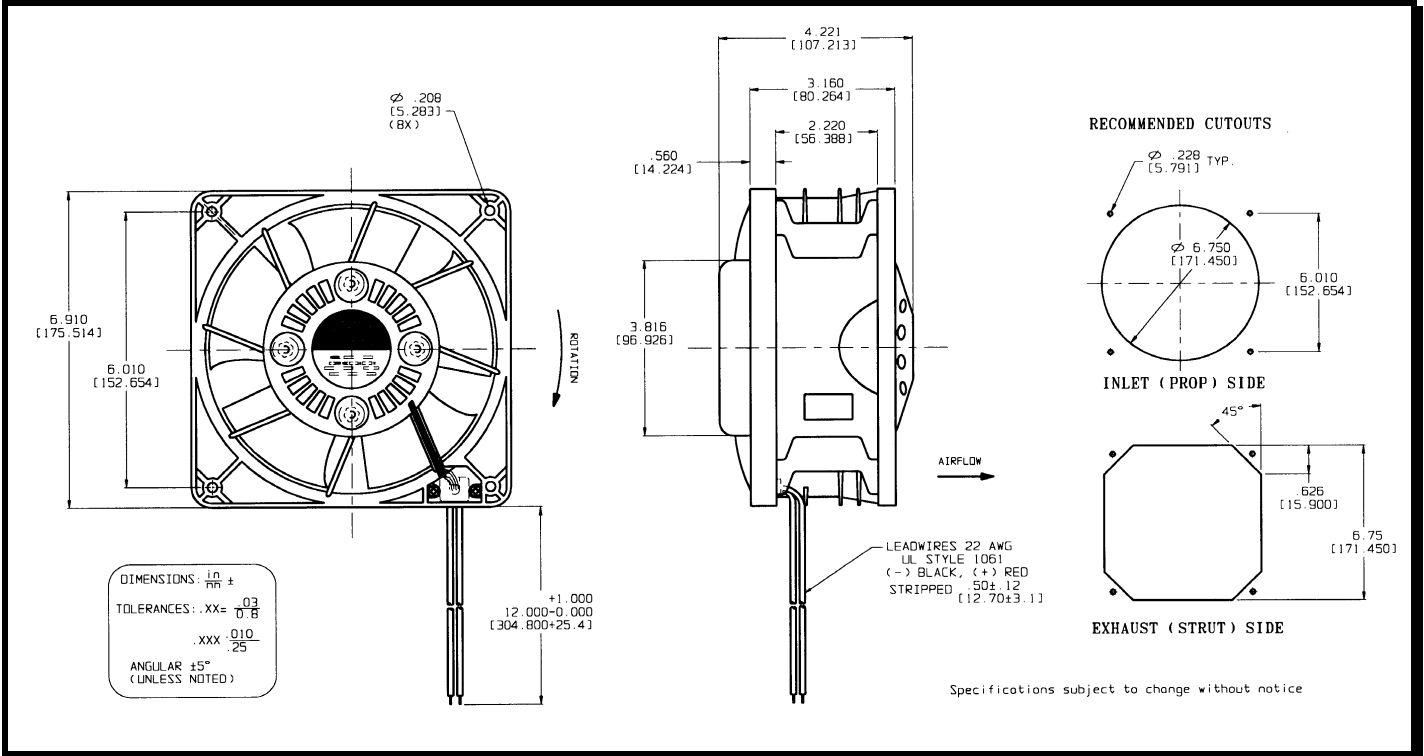
# SPECIFICATIONS



**Model Number:** TD48B6NDNX  
**Part Number:** TBD

Sep 6, 2013

## Mechanical Drawing:



### Motor:

Nominal Voltage	= 48 vdc
Operating Voltage Range	= 40-56 vdc
Nominal Running Current	= 0.700 amps
Locked Rotor Current	= 1.500 amps
Running Power	= 33.6 watts
Average Speed	= 3275 rpm
Bearings	= Ball
Air Flow	= 330 cfm
Acoustics	= 65.2 dBA

### Construction:

Venturi: Plastic, Black, UL 94V-0  
 Propeller: Polycarbonate, Black, UL 94V-0

### Agency Approvals:

UL, cUL

### Life Expectancy:

This fan is designed for continuous duty life of 35,000 hours at 40°C

### Additional Features:

Brushless DC Motor  
 Electronic Locked Rotor Protected  
 Reverse Polarity Protection  
 Automatic Restart Capability  
 Operating Temperature: -10°C to +70°C  
 Storage Temperature: -40°C to +85°C

### Fan Performance Sensor (FPS):

Output:	Inverted Open Collector
Ic:	80mA Max.
Vcc:	60VDC Max.
Logic Level:	Low on Pass, High on Fail
Delay:	10 ± 4 Seconds
Latching:	No
Isolated:	No

### Termination:

24.0" Harness, AWG 22, UL Style 1061  
 Connector: Molex 03-06-2032  
 Terminals: Molex 02-06-2103

Pin 1 (Red)	= Power (+)
Pin 2 (Black)	= Return (-)
Pin 3 (Blue/White)	= FPS Output