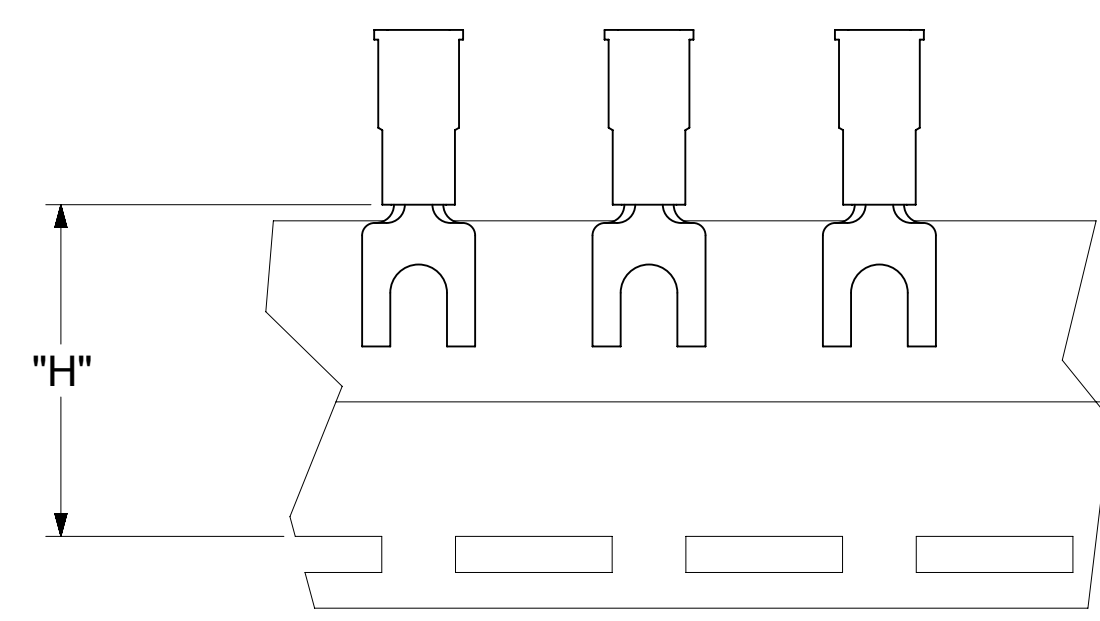
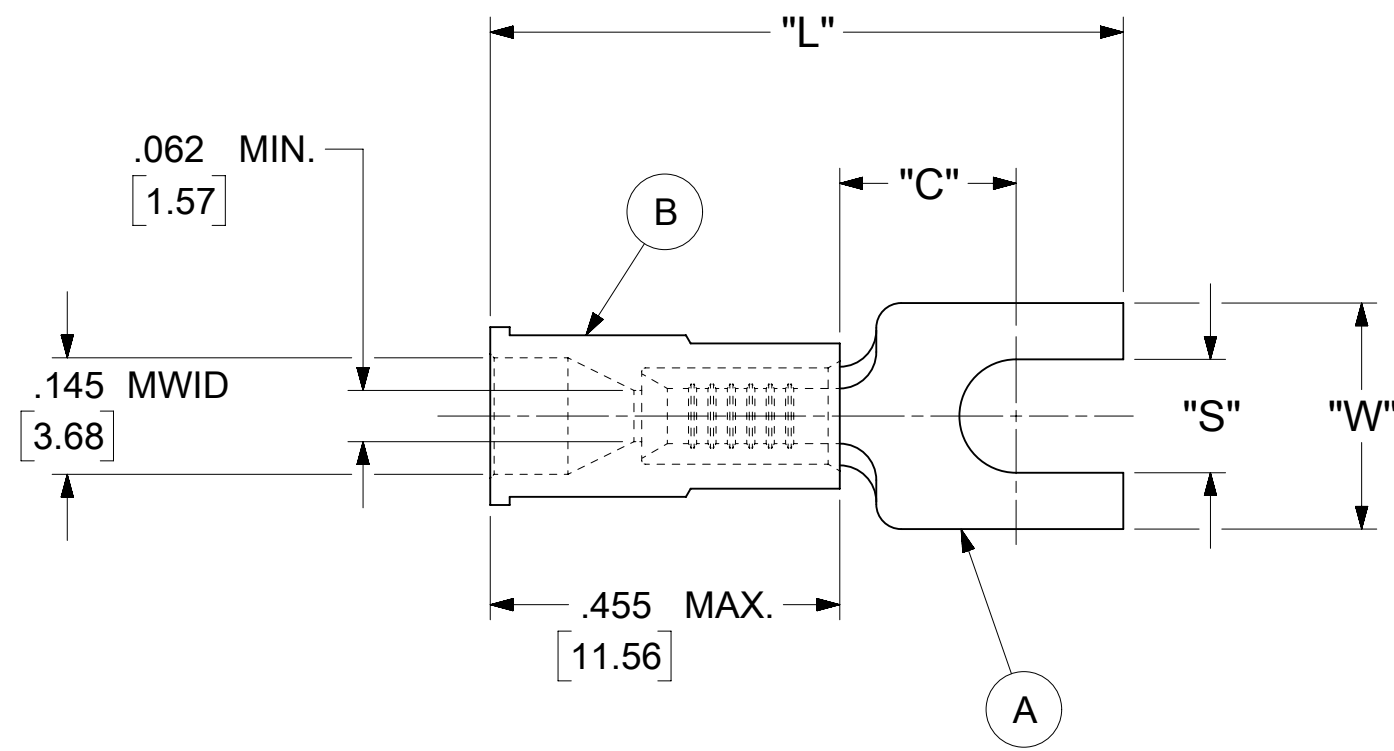


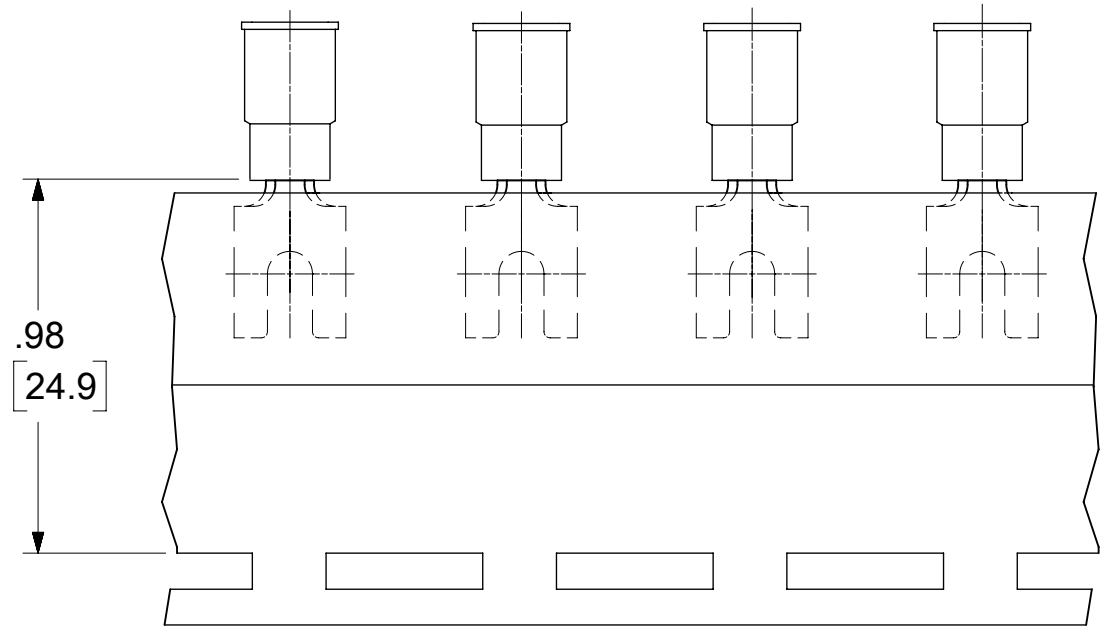
LOOSE PIECE		TAPE MOUNTED		SPECIFICATIONS						
MATERIAL NUMBER	ENGINEERING NUMBER	MATERIAL NUMBER	ENGINEERING NUMBER	STUD SIZE	"S" ±.005 [0.13]	"W" ±.010 [0.25]	"C" MIN.	"L" MAX.	"H"	STOCK THICKNESS
191300005	A-234-06X	---	---	6	.146 [3.71]	.291 [7.39]	.207 [5.26]	.835 [21.21]	---	.028 $\frac{+.001}{-.000}$ [0.71]
191300006	A-234-08X	---	---	8	.173 [4.39]					
191300007	A-234-10X	---	---	10	.198 [5.03]					
191300008	A-238-04X	---	---	4	.119 [3.02]	.245 [6.22]	.207 [5.26]	.835 [21.21]	.980 [24.89]	.028 $\frac{+.001}{-.000}$ [0.71]
191300009	A-238-06X	191420009	A-238-06XT	6	.146 [3.71]					



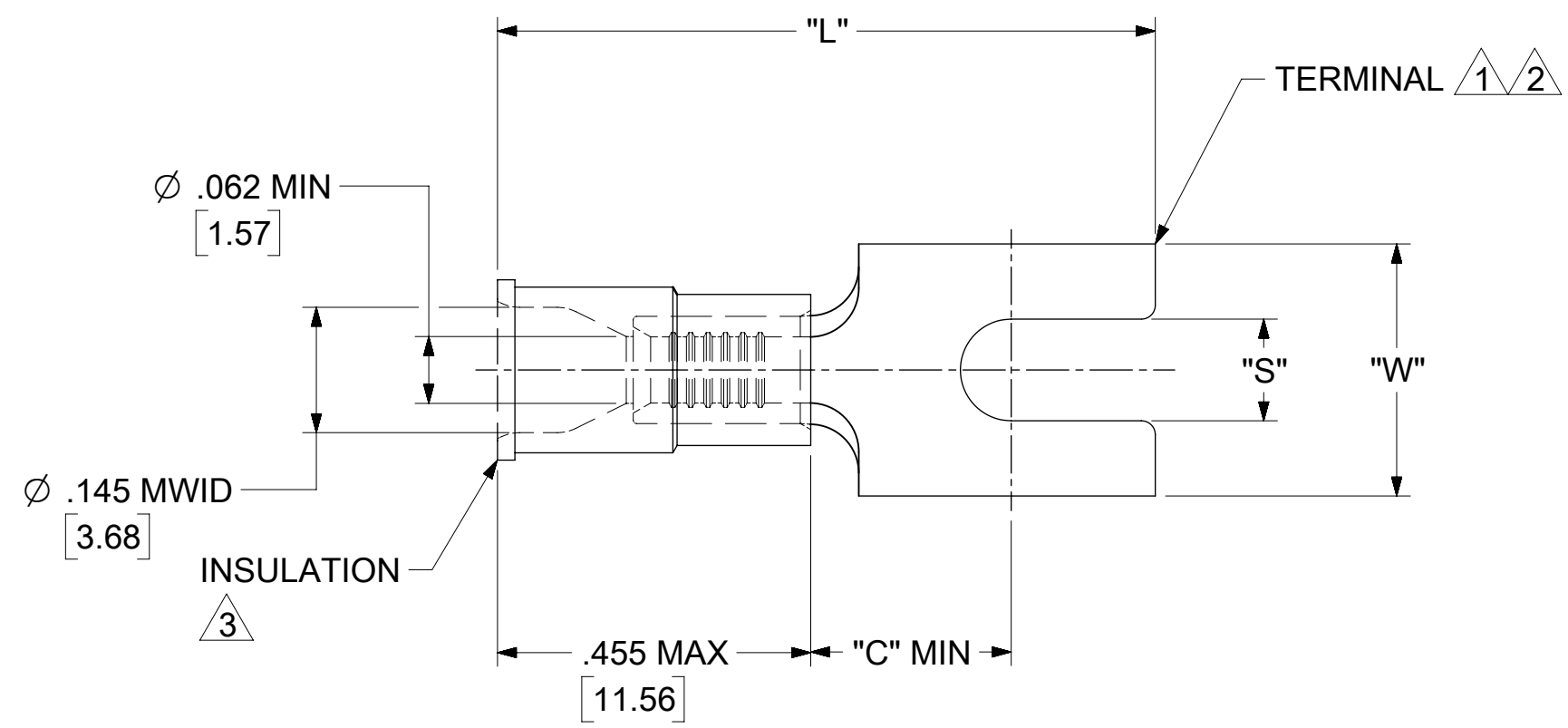
- NOTES:
- MATERIAL:
 - (A). SPADE TONGUE TERMINAL: COPPER
 - PLATING: ELECTRO-TIN (.0003 MIN.)
 - (B). INSULATION: MOLDED PVC (RED)
 - MWID: MAXIMUM WIRE INSULATION DIAMETER
0.25 -1.5 MM²
 - WIRE SIZE: 22 -18 AWG
 - ALL DIMENSIONS IN INCHES/[MM].
 - PARTS ARE ROHS COMPLIANT.
 - DIMS. SHOWN ARE FOR REFERENCE ONLY.

SYMBOLS	THIS DRAWING CONTAINS INFORMATION THAT IS PROPRIETARY TO MOLEX ELECTRONIC TECHNOLOGIES, LLC AND SHOULD NOT BE USED WITHOUT WRITTEN PERMISSION			
	DIMENSION UNITS	SCALE		CURRENT REV DESC: MIGRATION TO ECTR/NX
▽ = 0	INCH/MM	NTS		EC NO: 620952 DRWN: ABENJAMINLW 2019/06/27 CHK'D: GROJAS01 2019/07/19 APPR: JMACNEIL 2019/08/05
▽ = 0	GENERAL TOLERANCES (UNLESS SPECIFIED)			
▽ = 0		MM	INCH	INITIAL REVISION: DRWN: JJ 1984/10/29 APPR: JMACNEIL 2019/08/05
▽ = 0	4 PLACES	± ---	± ---	
▽ = 0	3 PLACES	± ---	± .005	DOCUMENT NUMBER: 191300004 DOC TYPE: PSD DOC PART: 000 REVISION: A
▽ = 0	2 PLACES	± 0.13	± .01	
▽ = 0	1 PLACE	± 0.25	± ---	MATERIAL NUMBER: SEE TABLE CUSTOMER: GENERAL MARKET SHEET NUMBER: 1 OF 1
▽ = 0	0 PLACES	± ---	± ---	
▽ = 0	ANGULAR TOL	± 0.5°		THIRD ANGLE PROJECTION
▽ = 0	DRAFT WHERE APPLICABLE MUST REMAIN WITHIN DIMENSIONS			DRAWING: C-SIZE
▽ = 0				SERIES: 19130

MATERIAL NUMBER	ENGINEERING NUMBER	STUD SIZE	"S" ±.005/(0.13)	"W" ±.010/(0.25)	"C" MIN.	"L" MAX.	PACKAGING
191300008	A-238-04X	4	.119/(3.02)	.245/(6.22)	.207/(5.26)	.835/(21.21)	LOOSE PIECE
191300009	A-238-06X	6	.146/(3.71)	.245/(6.22)	.207/(5.26)	.835/(21.21)	
191420058	A-238-04XT	4	.119/(3.02)	.245/(6.22)	.207/(5.26)	.835/(21.21)	TAPE MOUNTED
191420009	A-238-06XT	6	.146/(3.71)	.245/(6.22)	.207/(5.26)	.835/(21.21)	



PARTS ON TAPE



NOTE(S):

- 1 MATERIAL: COPPER .029/ .028 (0.74/ 0.71) THICK.
- 2 PLATING: ELECTRO-TIN
- 3 INSULATION: MOLDED PVC (RED).
- 4. MWID = MAXIMUM WIRE INSULATION DIAMETER.
- 5. PARTS ARE RoHS COMPLIANT.

THIS DRAWING CONTAINS INFORMATION THAT IS PROPRIETARY TO MOLEX ELECTRONIC TECHNOLOGIES, LLC AND SHOULD NOT BE USED WITHOUT WRITTEN PERMISSION											
SYMBOLS		DIMENSION UNITS		SCALE		CURRENT REV DESC: RMV OBSO PN -0058					
▽ = 0		IN/MM		5:1		<p>molex</p> <p>BLOCK SPADE TONGUE TERMINAL, INSULKRIMP, 22-18 AWG</p> <p>PRODUCT CUSTOMER DRAWING</p> <p>EC NO: 616593 DRWN: DMYRICK 2019/05/02 CHK'D: GROJAS01 2019/05/03 APPR: GROJAS01 2019/05/03</p> <p>INITIAL REVISION: DRWN: APPR:</p> <p>DOCUMENT NUMBER: SD-19142-002 DOC TYPE: PSD DOC PART: 001 REVISION: B1</p> <p>MATERIAL NUMBER: SEE CHART CUSTOMER: GENERAL MARKET SHEET NUMBER: 1 OF 1</p>					
▽ = 0		GENERAL TOLERANCES (UNLESS SPECIFIED)									
▽ = 0		MM		INCH							
▽ = 0		4 PLACES ±		±							
▽ = 0		3 PLACES ±		±							
▽ = 0		2 PLACES ±		±							
▽ = 0		1 PLACE ±		±							
▽ = 0		0 PLACES ±		±							
□ = 0		ANGULAR TOL ± 0.5°									
■ = 0		DRAFT WHERE APPLICABLE MUST REMAIN WITHIN DIMENSIONS		THIRD ANGLE PROJECTION		DRAWING		SERIES		MATERIAL NUMBER	
▽ = 0				B-SIZE		19142		SEE CHART		GENERAL MARKET	