

ALL DIMENSIONS ARE REFERENCE ONLY

WIRE RANGE: 22-18 AWG
.25-1.5mm²

REVISE ONLY ON CAD SYSTEM

TITLE ML-2218 MULTI-LOCK
WIRE RANGE 22-18 AWG

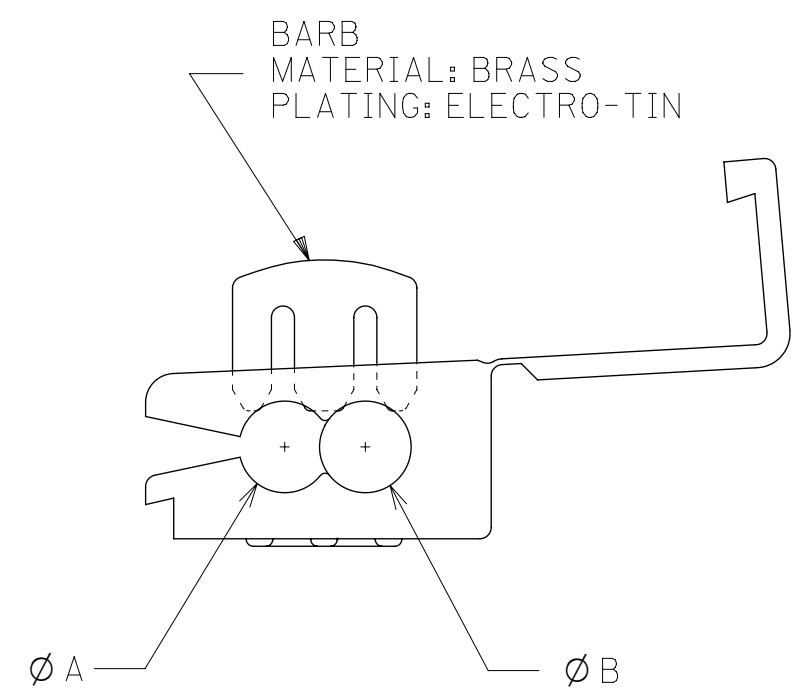
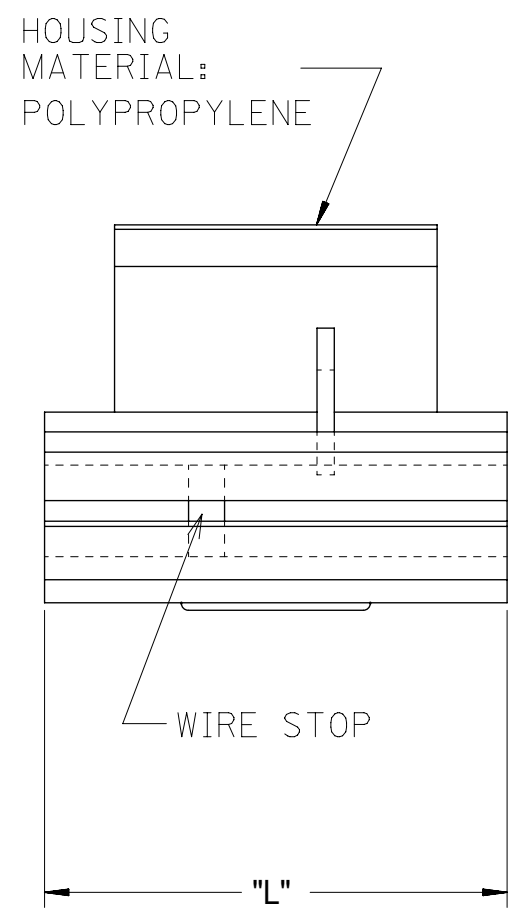
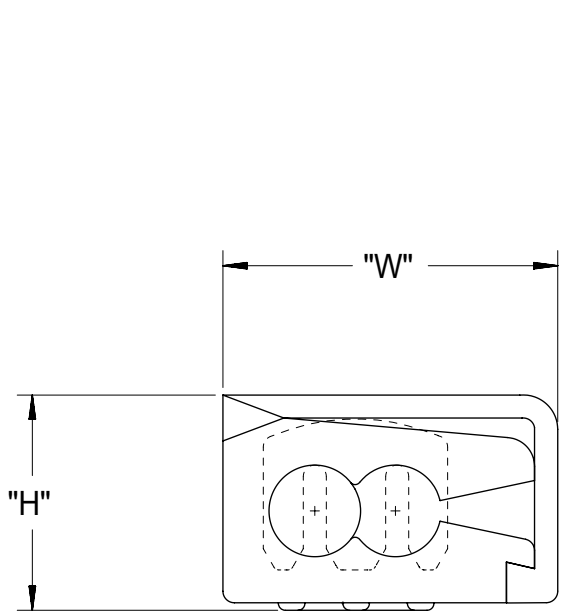
CUSTOMER
DRAWING

DRWG. BY RCM
CHK'D. BY
APP'D. BY
SCALE NO:NE

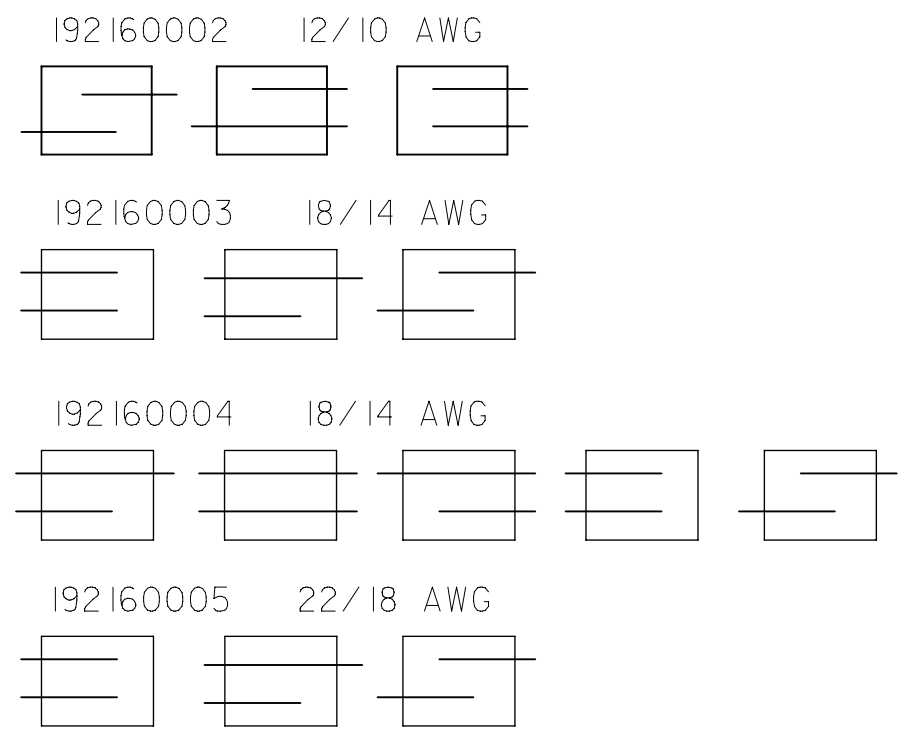
molex ETC INC.
PINELLAS PARK, FLA. 34665 U.S.A.
PART NO. ML-2218
FILE NAME CD10003

SHEET NO. DATE 08/21/91
DRWG. NO. CD-10003
THIS DRAWING CONTAINS INFORMATION THAT IS PROPRIETARY TO MOLEX-ETC INC. AND SHOULD NOT BE USED WITHOUT WRITTEN PERMISSION.
DIV. SIZE A

MATERIAL NUMBER	ALTERNATE NUMBER	WIRE SIZE	WIRE STOP	COLOR	"H" MAX	"W" MAX	"L" MAX	"A" MIN	"B" MIN
192160002	ML-1210	12-10	YES	YELLOW	.52/(13.2)	.74/(18.8)	.80/(20.3)	.160/(4.06)	.185/(4.70)
192160003	ML-1814 WS B2	18-14	YES	BLUE	.42/(10.7)	.55/(13.8)	.79/(20.1)	.125/(3.17)	.130/(3.30)
192160004	ML-1814	18-14	NO	WHITE	.42/(10.7)	.55/(13.8)	.79/(20.1)	.125/(3.17)	.130/(3.30)
192160005	ML-2218	22-18	YES	RED	.42/(10.7)	.55/(13.8)	.79/(20.1)	.120/(3.04)	.120/(3.04)



POSSIBLE WIRE CONFIGURATIONS



NOTE:
PARTS ARE ROHS COMPLIANT.

FUNCTIONAL SYMBOLS FA = 0 FE = 0 FP = 0	THIS DRAWING CONTAINS INFORMATION THAT IS PROPRIETARY TO MOLEX ELECTRONIC TECHNOLOGIES, LLC AND SHOULD NOT BE USED WITHOUT WRITTEN PERMISSION		CURRENT REV DESC: ENG P/N: ML-1814 WS WAS ML-1614		molex	
	GENERAL TOLERANCES (UNLESS SPECIFIED)		EC NO: 644192			
	DIMENSION UNITS		SCALE		PRODUCT CUSTOMER DRAWING	
	IN/MM		NTS		DOCUMENT NUMBER	
4 PLACES ±		MM		SD-19216-003		
3 PLACES ±		INCH		DOC TYPE		
2 PLACES ± 0.13		± 0.01		PSD		
1 PLACE ± 0.25		±		DOC PART		
0 PLACES ±		±		001		
ANGULAR TOL ± °		THIRD ANGLE PROJECTION		REVISION		
DRAFT WHERE APPLICABLE MUST REMAIN WITHIN DIMENSIONS		DRAWING		B2		
		SERIES		SHEET NUMBER		
		B-SIZE 19216		1 OF 1		
		MATERIAL NUMBER		CUSTOMER		
		SEE CHART		GENERAL MARKET		

DOCUMENT STATUS	P1	RELEASE DATE	2020/08/27	18:15:51
-----------------	----	--------------	------------	----------