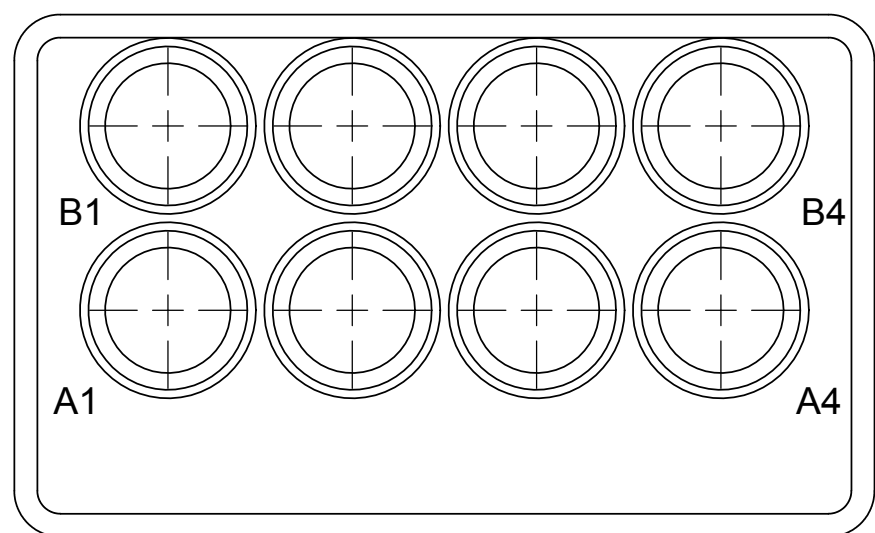
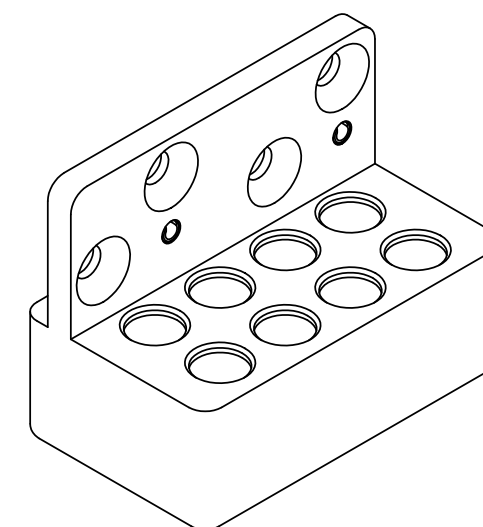
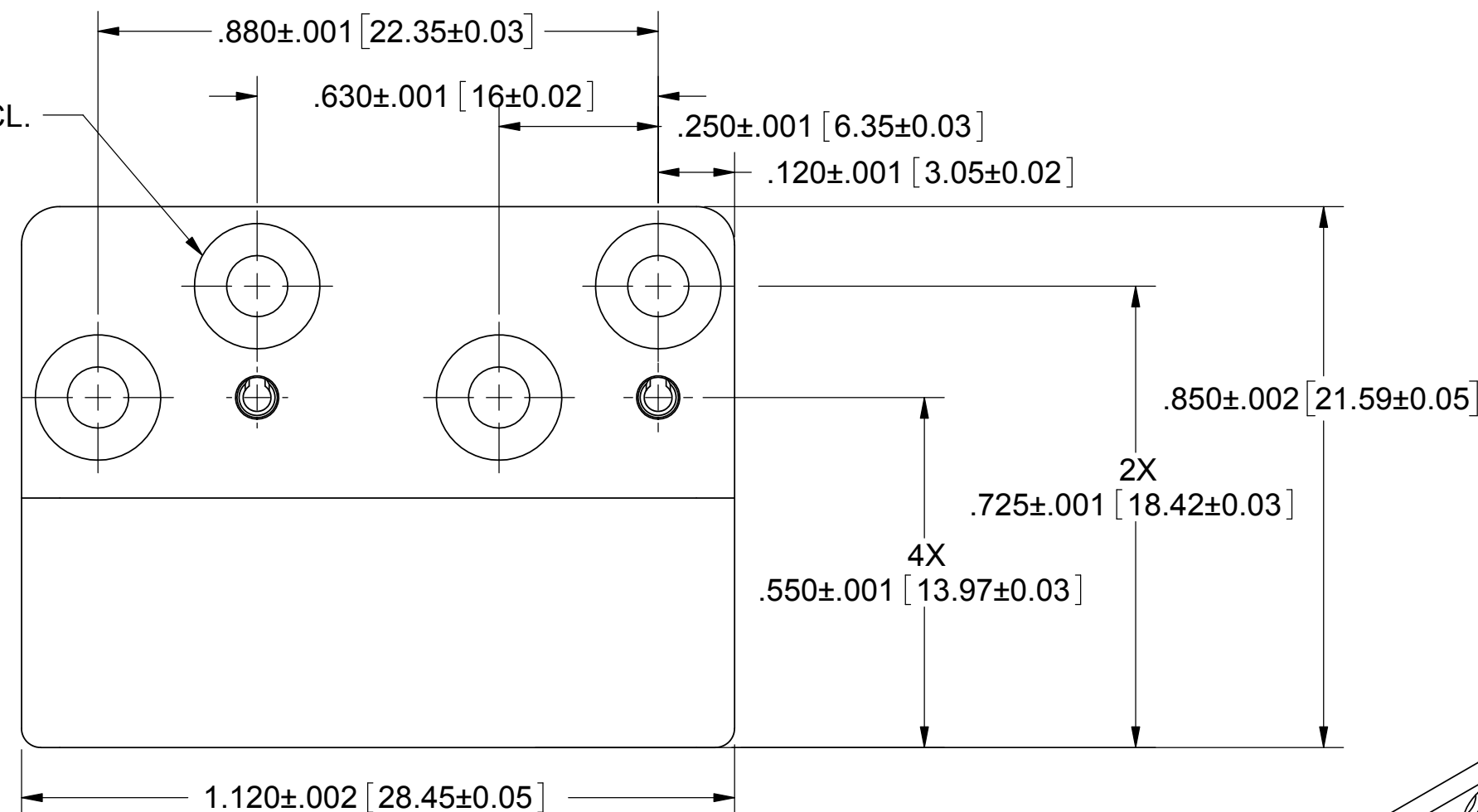
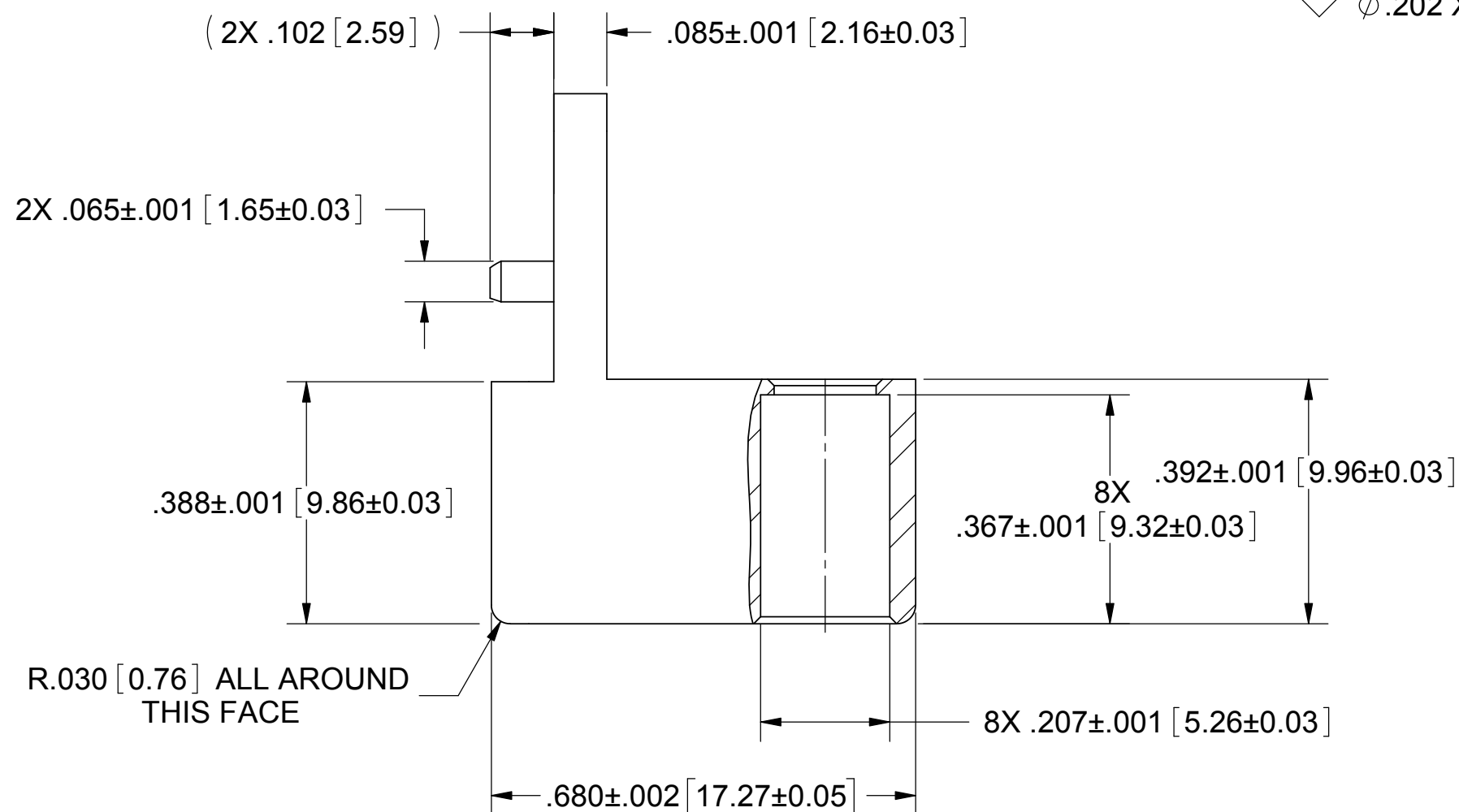
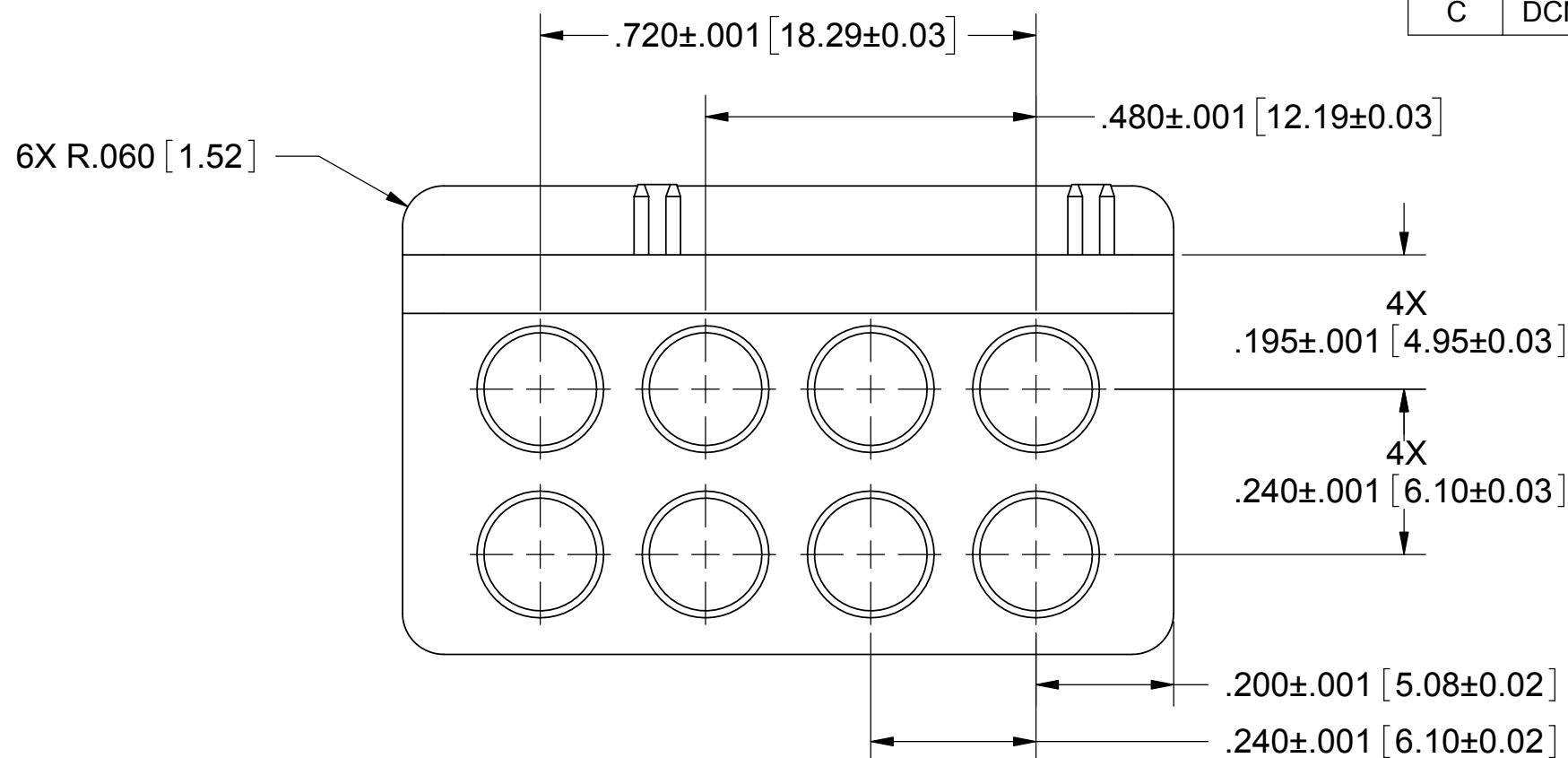


# PRODUCT DATA DRAWING

REVISION HISTORY			
REV.	DESCRIPTION	DATE	APPROVED
B	REV. DCN 38885	2/29/12	STW
C	DCN 46743	08/17	DAL



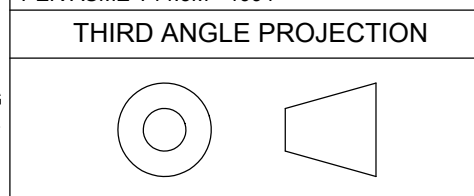
CAVITY IDENTIFICATION



MATERIAL:  
 MODULE: STAINLESS STEEL PER AMS-5640, ALLOY UNS S30300, TYPE 1  
 SPRING PINS: STAINLESS STEEL PER ASTM A313, ALLOY UNS S30200, TYPE 302.  
 FINISH:  
 MODULE & SPRING PINS: PASSIVATED PER AMS-2700.

MATERIAL: SEE NOTES  
 FINISH: SEE NOTES  
 DO NOT SCALE DRAWING  
**PROPRIETARY**  
 THE INFORMATION CONTAINED IN THIS DRAWING IS THE SOLE PROPERTY OF SV MICROWAVE, INC. ANY REPRODUCTION IN PART OR AS A WHOLE WITHOUT THE WRITTEN PERMISSION OF SV MICROWAVE, INC. IS PROHIBITED.

DIMENSIONS ARE IN INCHES  
 TOLERANCES:  
 ANGULAR: ±1°  
 ONE PLACE DECIMAL ±.030  
 TWO PLACE DECIMAL ±.010  
 THREE PLACE DECIMAL ±.005  
 INTERPRET DIMENSIONS AND TOLERANCES PER ASME Y14.5M - 1994



UNLESS OTHERWISE SPECIFIED:  
 1. ALL DIMENSIONS ARE AFTER PLATING.  
 2. BREAK CORNERS & EDGES R.005 MAX.  
 3. CHAMFER 1ST AND LAST THREAD.  
 4. SURFACE ROUGHNESS 63 PER MIL-STD-10.  
 5. DIA'S ON COMMON CENTERS TO BE CONCENTRIC WITHIN .005 T.I.R.  
 6. REMOVE ALL BURRS.  
 DRAWN: JMC 12/13/10  
 CHECKED: STW 02/07/11  
 APPROVED: STW 02/07/11  
 E.M. SIMULATION: N/A

**SV Microwave, Inc.**  
 2400 Centrepark West Drive, Suite 100  
 West Palm Beach, FL 33409  
 TITLE: **MULTIPOINT MODULE 8 POS**  
 SIZE: C CAGE CODE: 95077 DWG. NO. SF9321-60013  
 SCALE: 4:1 SHEET 1 OF 1