

SIGN	DATE	DESCRIPTION	APPROVER

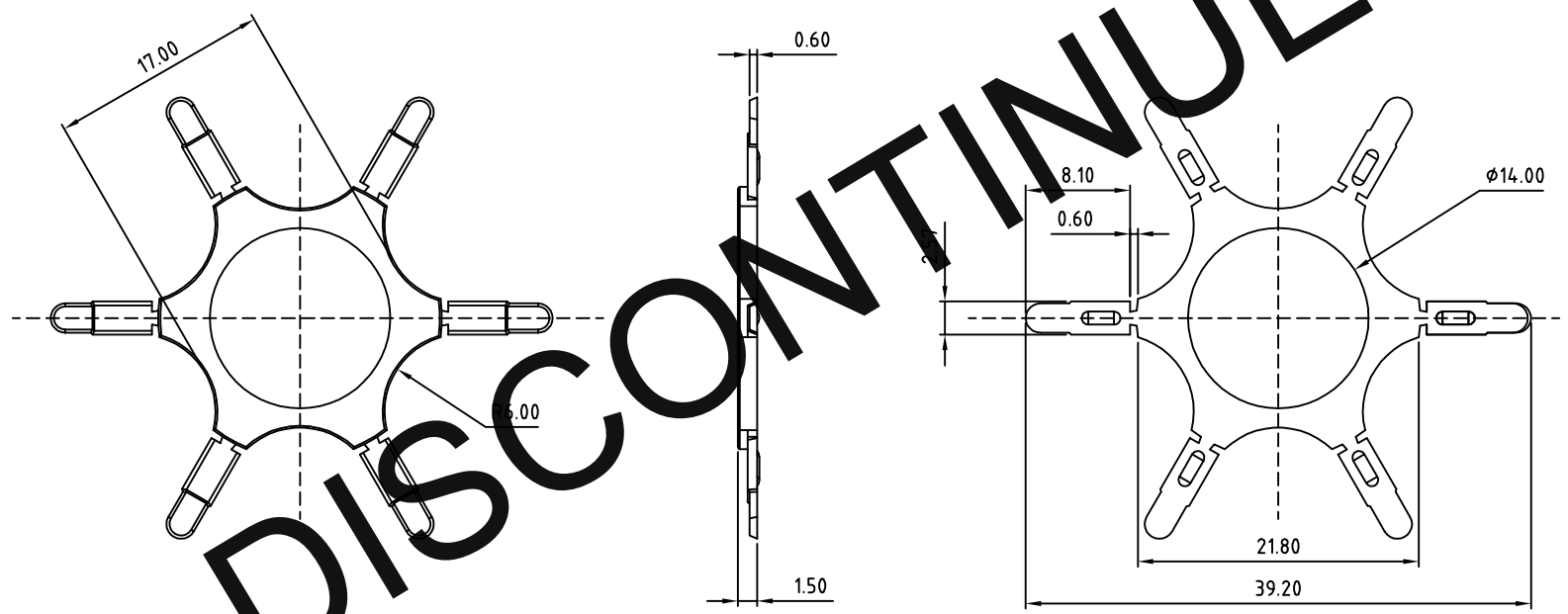
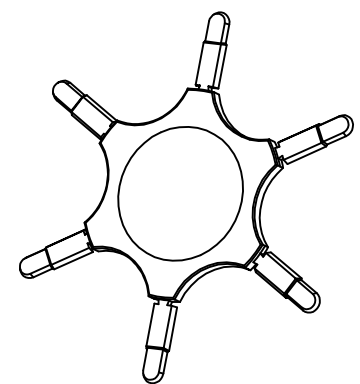
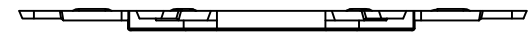
THIS IS CAD DRAWING, DO NOT REVISE MANUALLY!!!

Material

● Insulator (housing): Thermoplastic (UL94V-0)

Pitch 3.5/3.81

	OSTOQ	OSTVQ	OSTVU	OSTVO	OSTVZ
OSTAG	●	●	●	●	●



DISCONTINUED



THESE DRAWINGS AND SPECIFICATIONS ARE THE PROPERTY OF ON-SHORE TECHNOLOGY, INC. AND SHALL NOT BE REPRODUCED, COPIED OR USED IN ANY MANNER WITHOUT THE PRIOR WRITTEN CONSENT OF ON-SHORE TECHNOLOGY, INC.

TITLE		OSTAG Series Key			
PART NO.	OSTAG000020	DWG NO.	OSTAG000020.DWG		
APPROVED	CHECKED	DESIGNED	DRAWN	CUST NO.	Tolerance
Shi Jun 2006.11.3	Marvin 2006.04.11	Marvin 2006.04.11	Marvin 2006.04.11		X. ±0.50 X.X ±0.30 X.XX ±0.10 X° ±1°
				UNIT: mm	
				SCALE: NONE	
				REV.: B	
				SHEET: 01/01	