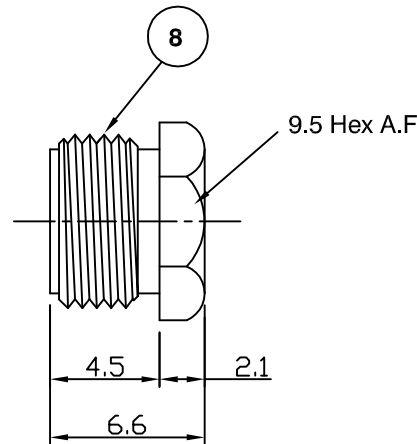
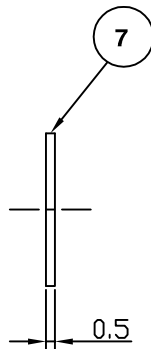
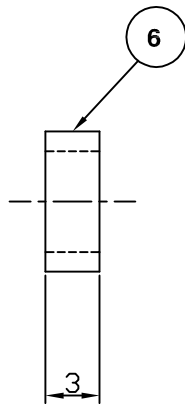
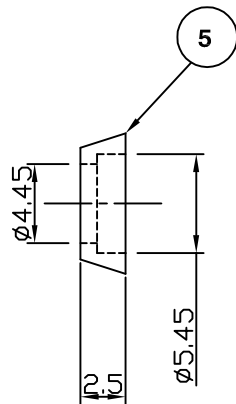
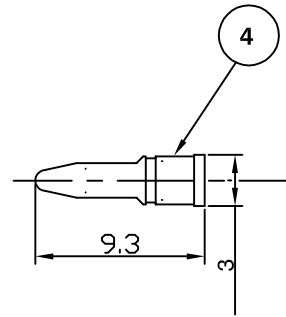
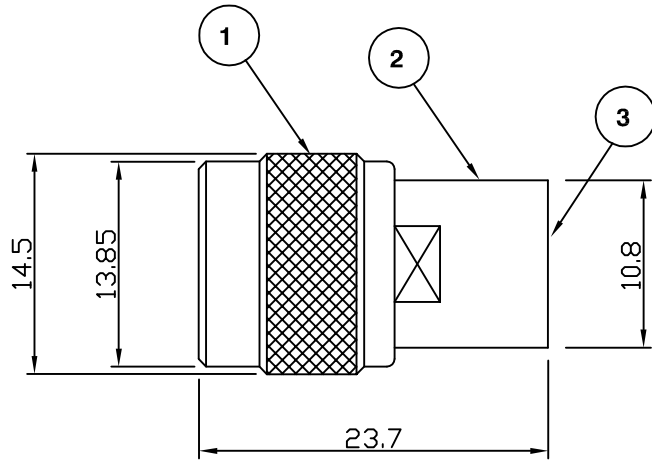


RoHS COMPLIANT



**Electrical Characteristics**

Nominal Impedance:	50 ohms
Frequency Range:	DC to 11 GHz
VSWR:	1.35:1 maximum
Insertion Loss:	0.20 dB MAX
Operating Voltage (rms):	500 V maximum at sea level
Dielectric Withstand Voltage (rms):	1500 V maximum at sea level
Contact Resistance:	1.5 milliohms maximum
Insulation Resistance:	5000 megohms minimum

**Mechanical Characteristics**

Mating Cycles:	500 cycles minimum
Interface Dimensions:	Conform to MIL-C-39012

**Environmental Characteristics**

Temperature Range:	-55 °C to +85 °C
--------------------	------------------

PART	DESCRIPTION
1	Shell Zinc, nickel plated
2	Body Brass, nickel plated
3	Dielectric POM
4	Contact Brass, gold plated
5	Taper Clamp Brass, nickel plated
6	Gasket Rubber
7	Washer Iron, nickel plated
8	Clamp Nut Brass, nickel plated

DESCRIPTION OF REVISION	APPVD	ISS	DATE
Supplier Change	KA	3	03 Aug 07
CAD Issue	SN	2	21 Oct 02
First Issue	AT	1	23 Nov 99

For stripping and assembly instructions see Drawing Number: VAIT1204



Cinch Connectivity Solutions  
7-13 Russel Way,  
Widford Industrial Estate,  
Chelmsford,  
Essex, CM1 3AA, UK  
Tel: +44 (0) 1245 359515  
Fax: +44 (0) 1245 358938

SCALE: Not To Scale

DIMENSIONS: mm

TOLERANCES:  
± 0.2mm unless  
otherwise stated

DRAWN BY:

S Nash

CHECKED BY:

P Couzens

APPROVED BY:

P Couzens

DATE:

21 Oct 02

TITLE:

TNC Clamp Plug For RG58

PART NUMBER:

VTS10-2051

PAGE: 1 of 1