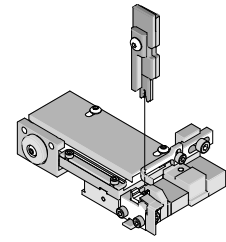


**T2 Terminator Tooling**



**Application Tooling Specification Sheet**



**Order No. 63911-9800**

**FEATURES**

- It is ideally suited for mid-volume bench operations
- This terminator can be installed in the TM42 and the TM40 press or Base Unit adapter for 3BF press
- Quick punch removal with the push of a button for fast and easy tooling change
- Track adjustment capabilities in the T2 Terminators for improved control of the bell mouth size and cutoff tab length
- T2 Terminator has standardized tooling with the Molex FineAdjust Applicator which will reduce your inventory requirements

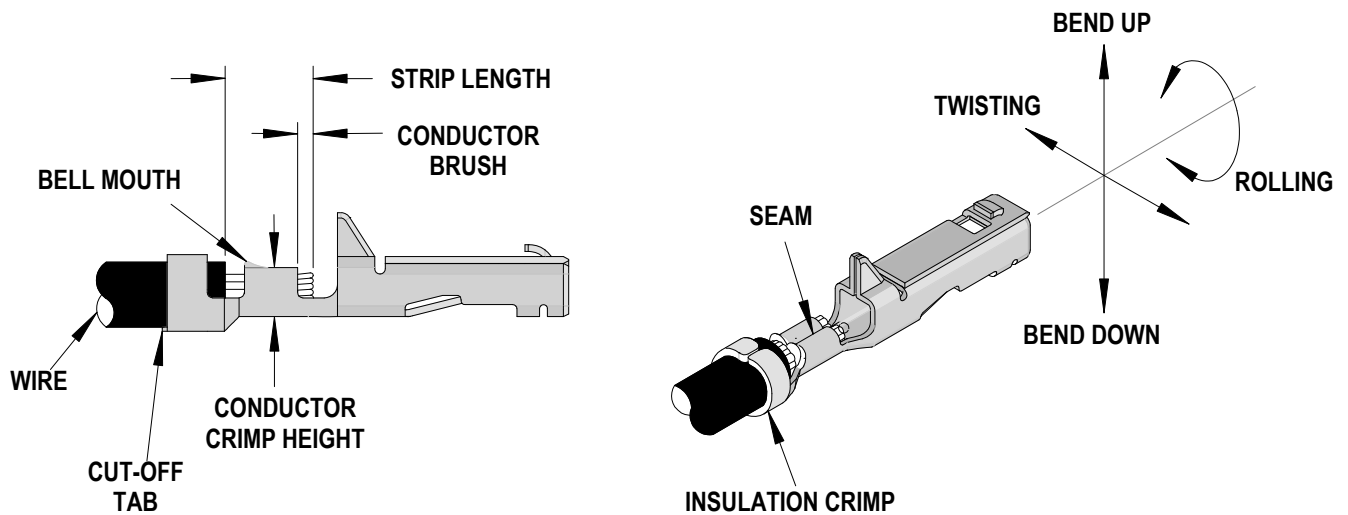
**SCOPE**

Products: 3.96 (.156") Wire-to-Wire and Wire-to-Board Crimp Terminal, 20-26 AWG.

Terminal Series No.	Terminal Order No.	Wire Size		Insulation Diameter				Strip Length	
				IPC/WHMA-A620 (1)		Terminal (2)			
		AWG	mm <sup>2</sup>	mm	In.	mm	In.	mm	In.
50598	50598-8000	20-26	0.55-0.12	1.25-1.90	.049-.075	1.25-1.90	.049-.075	2.70-3.30	.106-.130
50600	50600-8000	20-26	0.55-0.12	1.25-1.90	.049-.075	1.25-1.90	.049-.075	2.70-3.30	.106-.130

(1) To achieve optimum IPC-A620 Class 2 insulation crimps, use this insulation OD range  
 (2) Overall insulation OD specification for terminal

**DEFINITION OF TERMS**



### CRIMP SPECIFICATION

Terminal Series No.	Bell mouth		Cut-off Tab Maximum		Conductor Brush	
	mm	In.	mm	In.	mm	In.
50598	0.10-0.60	.004-.024	0.25	.010	0.00-1.00	.000-.039
50600	0.10-0.60	.004-.024	0.25	.010	0.00-1.00	.000-.039

Terminal Series No.	Bend up Bend down		Twist	Roll	Punch Width mm (Ref)				Seam  Seam shall not be open and no wire allowed out of the crimping area
	Degree				Degree		Conductor		
	mm	In	mm	In	mm	In	mm	In	
50598	4	3	3	8	1.60	.063	2.20	.087	
50600	4	3	3	8	1.60	.063	2.20	.102	

After crimping, the crimp profiles should measure the following:

Terminal Series No.	Wire Size		Conductor Crimp Height		Insulation Crimp Height (Ref)		Pull Force Minimum	
	AWG	mm <sup>2</sup>	mm	In.	mm	In.	N	Lb.
50598	20 AWG	0.55	0.95-1.05	.037-.041	2.55	.100	58.8	13.2
	22 AWG	0.35	0.87-0.92	.034-.036	2.45	.096	39.2	8.8
	24 AWG	0.20	0.80-0.85	.032-.034	2.40	.094	29.4	6.6
	26 AWG	0.12	0.76-0.81	.030-.032	2.25	.089	14.7	3.3
50600	20 AWG	0.55	0.95-1.05	.037-.041	2.55	.100	58.8	13.2
	22 AWG	0.35	0.87-0.92	.034-.036	2.45	.096	39.2	8.8
	24 AWG	0.20	0.80-0.85	.032-.034	2.40	.094	29.4	6.6
	26 AWG	0.12	0.76-0.81	.030-.032	2.25	.089	14.7	3.3

Tool Qualification Notes:

1. Pull Force should be measured with no influence from the insulation crimp.
2. The above specifications are guidelines to an optimum crimp.

**PARTS LIST**

<b>T2 Terminator 63911-9800</b>				
<b>Item</b>	<b>Order No</b>	<b>Engineering No.</b>	<b>Description</b>	<b>Quantity</b>
<b>Perishable Tooling</b>				
	63911-9870	63911-9870	Tool Kit (All "Y" Items)	REF
1	63444-1609	63444-1609	Conductor Punch	1 Y
2	63445-1641	63445-1641	Conductor Anvil	1 Y
3	63446-2214	63446-2214	Insulation Punch	1 Y
4	63445-2220	63445-2220	Insulation Anvil	1 Y
5	63443-0002	63443-0002	Front Cut-Off Plunger	1 Y
6	63443-0012	63443-0012	Front Plunger Retainer	1 Y
<b>Other Components</b>				
7	11-17-0022	1739-21	Hold Down Spring	1
8	11-18-4083	60707-8	Feed Guide	1
9	11-24-1067	4996-4	Cut-off Plunger Spring	1
10	63443-0009	63443-0009	Front Scrap Chute	1
11	63443-0024	63443-0024	Key	1
12	63443-0085	63443-0085	Wire Stop L-Bracket	1
13	63443-0090	63443-0090	Wire Stop	1
14	63443-0093	63443-0093	Shank	1
15	63443-1719	63443-1719	Height Spacer	1
16	63443-2216	63443-2216	Course Spacer (16.00mm)	1
17	63443-2301	63443-2301	Fine Spacer (3.05mm)	1
18	63443-3101	63443-3101	Front Plunger Striker	1
19	63443-6007	63443-6007	Rear Cover	1
20	63901-9802	63901-9802	Terminal Hold Down	1
<b>Frame</b>				
21	63800-8500	63800-8500	T2 Terminator	1
<b>Hardware</b>				
22	N/A	N/A	M3 by 6 Long FHCS	1**
23	N/A	N/A	M3 by 6 Long SHCS	2**
24	N/A	N/A	M3 by 8 Long SHCS	1**
25	N/A	N/A	M4 by 6 Long SHCS	2**
26	N/A	N/A	M4 by 12 Long BHCS	2**
27	N/A	N/A	M4 by 14 Long SHCS	2**
28	N/A	N/A	M4 by 50 Long SHCS	2**
29	N/A	N/A	M5 by 12 Long SHCS	1**
30	N/A	N/A	#10-32 by 3/8" Long BHCS	1**

\*\* Available from an industrial supply company such as MSC (1-800-645-7270).

### Assembly Drawing

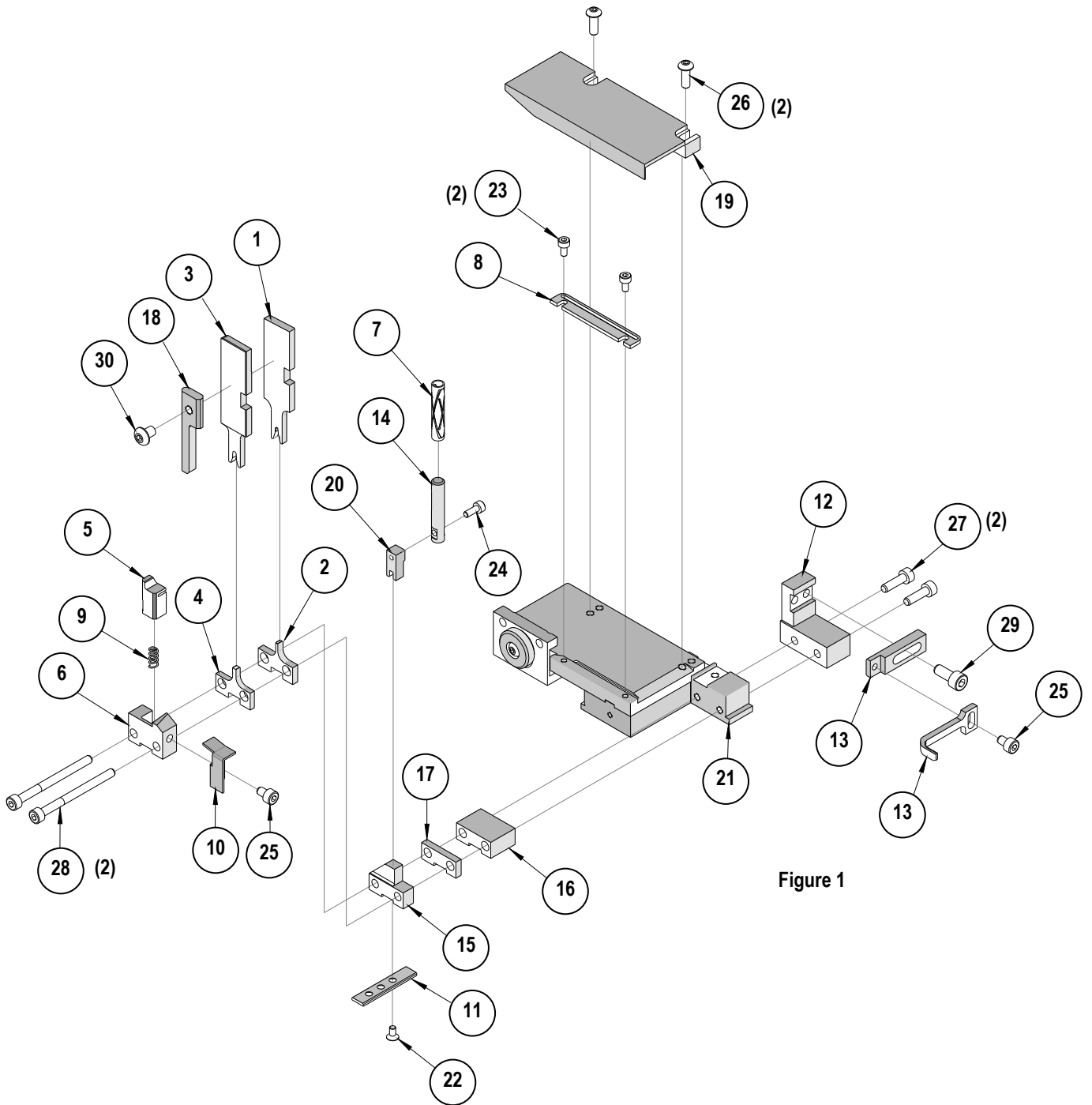


Figure 1

## NOTES

Depending on the press vintage a feed finger assembly is supplied with the T2 Terminator.

1. To remove the existing feed finger assembly loosens the M4 x 10 mm set screw in the feed lever.
2. Select T2 Feed finger assembly from Terminator box.
3. Insert a screwdriver into the slot behind the feed lever and force the feed arm spring to the right.
4. Slide the T2 feed finger shaft for TM42 (11-40-5307) or (11-40-0123) for TM40 /Base Unit into the feed lever and to the left of the feed arm spring.
5. Release the feed arm spring.
6. Position feed finger for selected product. (Refer to Figure 5.1 in the T2 Manual).

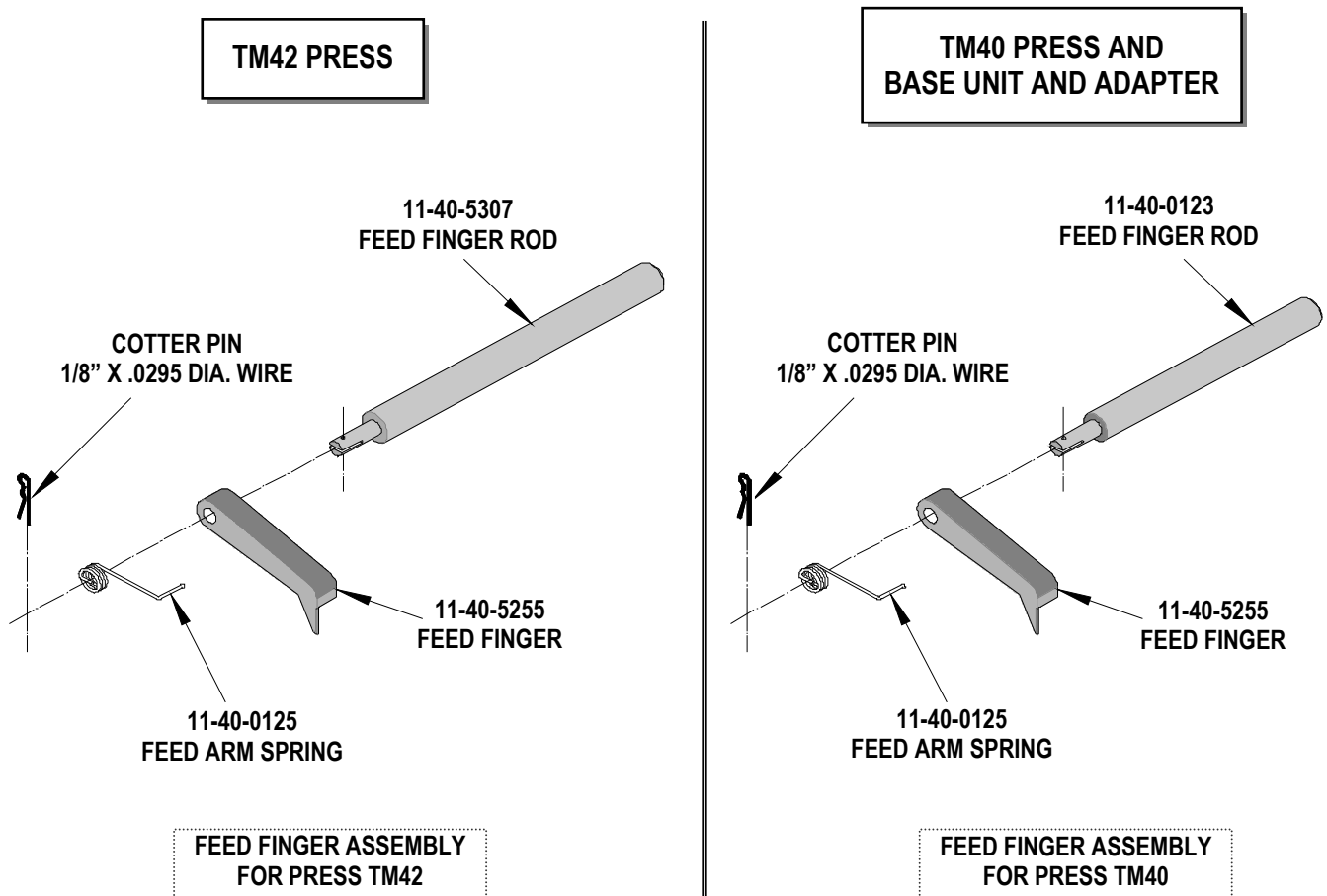


Figure 2

## NOTES

1. Molex recommends an extra perishable tooling kit be maintained at your facility.
2. Verify tooling alignment by manually cycling the press before crimping under power. Check that all screws are tight.
3. Slugs, Terminals, Dirt and Oil should be kept clear of work area.
4. This Terminator should be only used in a Molex TM42, TM40, or 3BF Press with a Base Unit adaptor.
5. Wear safety glasses at all times.
6. For recommended maintenance refer to the TM40, TM42 Manual.

**CAUTION:** To prevent injury never operate this Terminator without the guards supplied with the press in place. Reference the TM42 press manufacturer's instruction manual.

**CAUTION:** Molex crimp specifications are valid only when used with Molex terminals, applicators and tooling.

<http://www.molex.com>