



**MODEL:** SP-2605  
**PRODUCT:** Dynamic Speaker  
**EDITION:** A/2016

**THIS SPECIFICATION COVERS OUR PRODUCT OF DYNAMIC SPEAKER UNIT FOR MOBILE PHONE USE**

**DYNAMIC SPEAKER ELECTROACOUSTIC CHARACTERISTICS**

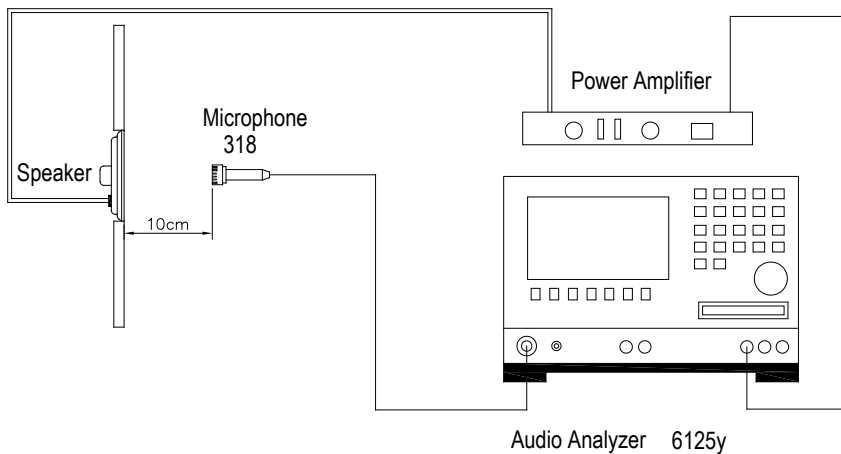
sound pressure level	90±3dB SPL @ 0.8, 1.0, 1.2 and 1.5KHz in average (0dB SPL=20µPa)
measuring condition	0.1W (Sine wave) 10cm measured with baffler shown in Fig.1
frequency response curve	As shown in Fig.2
response frequency	550 ± 20%Hz @ 1V. (Without Baffler)
rated noise power	0.5W
short-term max. power	0.6W must be normal at a white noise (1W, F0-20KHz) for one minute
distortion	Less than 5% @1KHz, 0.1M, 1W frequency range, input level up to 2.0Vrms
ac impedance	8±15%Ω (@ 2 KHz 1V) without baffler
operation test	Must be free audible noise (buzzes and rattles) 300 ~8KHz frequency range, input level up to 2.0Vrms

**GENERAL SPECIFICATIONS**

operating temperature range	-20°C ~ +60°C
storage temperature range	-30°C ~ +70°C
standard test conditions	
temperature	17°C ~ 25°C
relative humidity	45% ~ 80%(RH)
dimension	∅ 26 x 5.0mm

**MEASURING METHOD (SPEAKER MODE)** (Figure 1)

Standard test condition of speaker



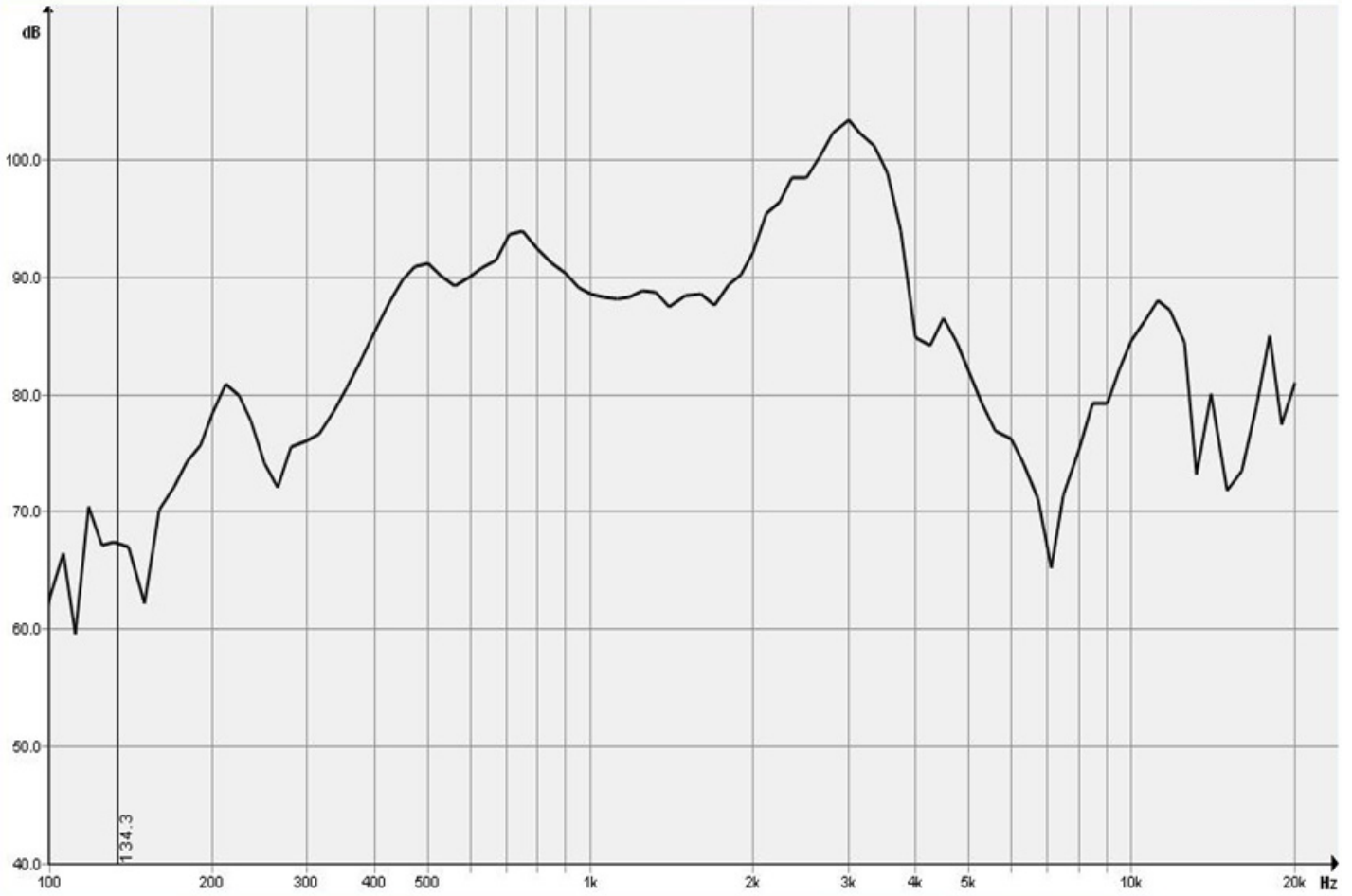
TEST CONDITION	
STANDARD	
temperature	15 ~ 35°C
relative humidity	45% ~ 85%
atmospheric pressure	860mbar to 1060mbar.
STANDARD TEST FIXTURE	
input power	0.1W (0.89V)
zero level	-dB
mode	TSR
potentiometer range	50dB
sweep time	0.5sec



**MODEL:** SP-2605  
**PRODUCT:** Dynamic Speaker  
**EDITION:** A/2016

Soberton Inc.

**TYPICAL FREQUENCY RESPONSE CURVE (Figure 2)**





**MODEL:** SP-2605  
**PRODUCT:** Dynamic Speaker  
**EDITION:** A/2016

**RELIABILITY TESTS**

The sound pressure as specified shall neither deviate more than  $\pm 3\text{dB}$  from the initial value, nor have any significant damage after any of following testing.

**HIGH TEMPERATURE TEST**

high temperature	$+60\pm 2^\circ\text{C}$
duration	96 hours

**LOW TEMPERATURE TEST**

low temperature	$-20\pm 2^\circ\text{C}$
duration	96 hours

**HEAT SHOCK TEST**

high temperature	$+60\pm 2^\circ\text{C}$
low temperature	$-20\pm 2^\circ\text{C}$
duration	1 hour
changeover time	< 30 seconds
cycle	100

**HUMIDITY TEST**

temperature	$+20\pm 2^\circ\text{C}$
relative humidity	90~95%
duration	96 hours

**TEMPERATURE CYCLE TEST**

temperature	$-20^\circ\text{C}$	$+60^\circ\text{C}$
duration	45 minutes	45 minutes
temperature gradient	1~3 $^\circ\text{C}/\text{min}$ .	
cycle	25	

**DROP TEST**

mounted with dummy set mass	100 g
height	1.5 m
cycle	6 (1 each plain) onto the concrete board

**LOAD TEST**

noise signal	White noise (EIA filter)
input power	0.5W
duration	96 hours

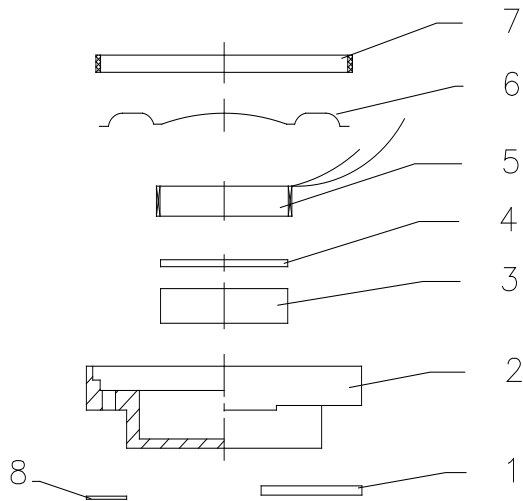
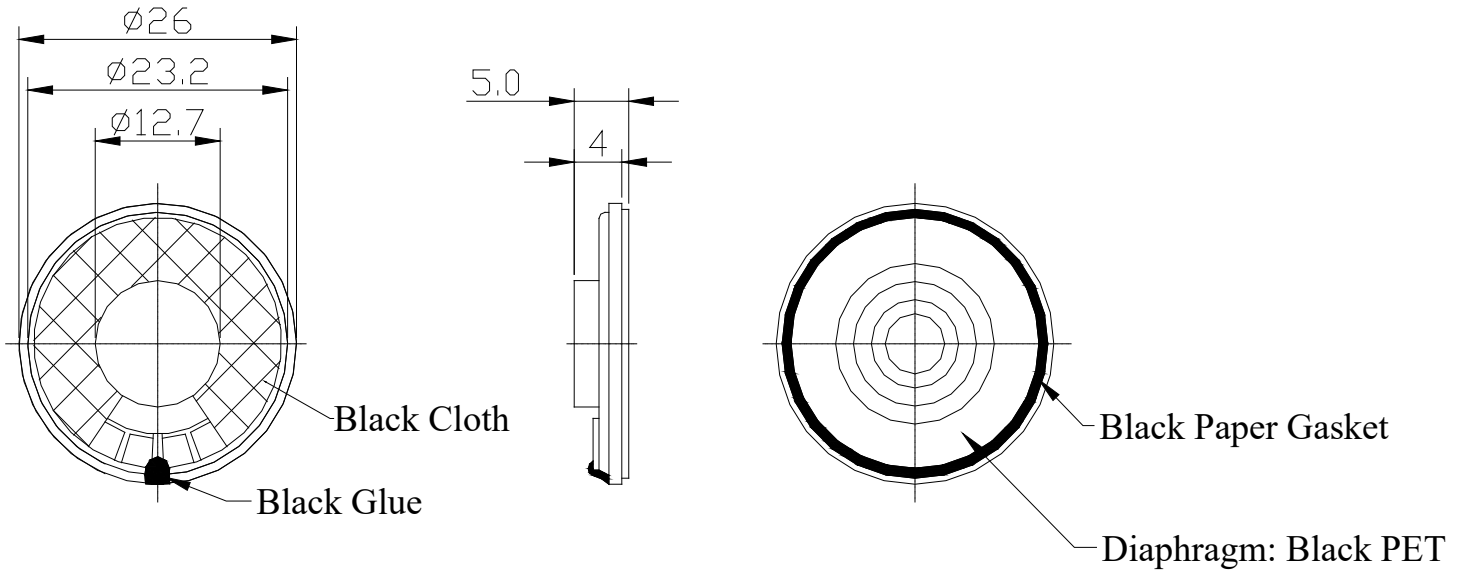


**MODEL:** SP-2605  
**PRODUCT:** Dynamic Speaker  
**EDITION:** A/2016

Soberton Inc.

**DIMENSIONS**

Tolerance: ±0.5 (unit: mm)



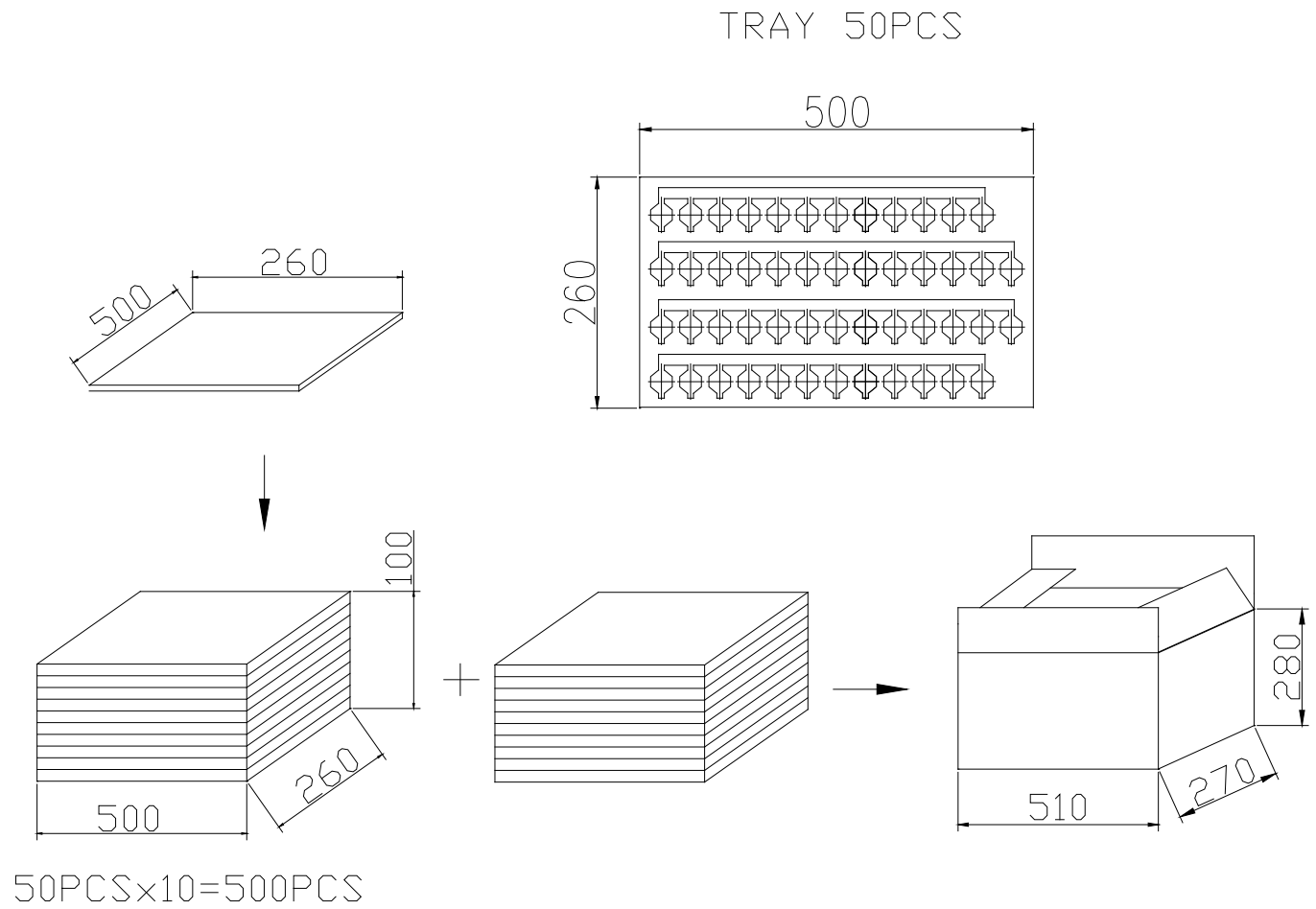
no	item	material	quantity
1	PCB	FR-4	1
2	Frame	SPCC	1
3	Main magnet	$\phi 9.5 \times 1.5$ -N38	1
4	Plate	$\phi 9.7 \times 0.8$ SPCC	1
5	Voice coil	Copper	1
6	Diaphragm	PET	1
7	Gasket	Black paper	1
8	Silk screen	Black cloth	1



**MODEL:** SP-2605  
**PRODUCT:** Dynamic Speaker  
**EDITION:** A/2016

Soberton Inc.

**PACKING**



TRAY	500X260X10mm	1X50PCS=50PCS
CARTON BOX	510X270X280mm	20X50PCS=1000PCS