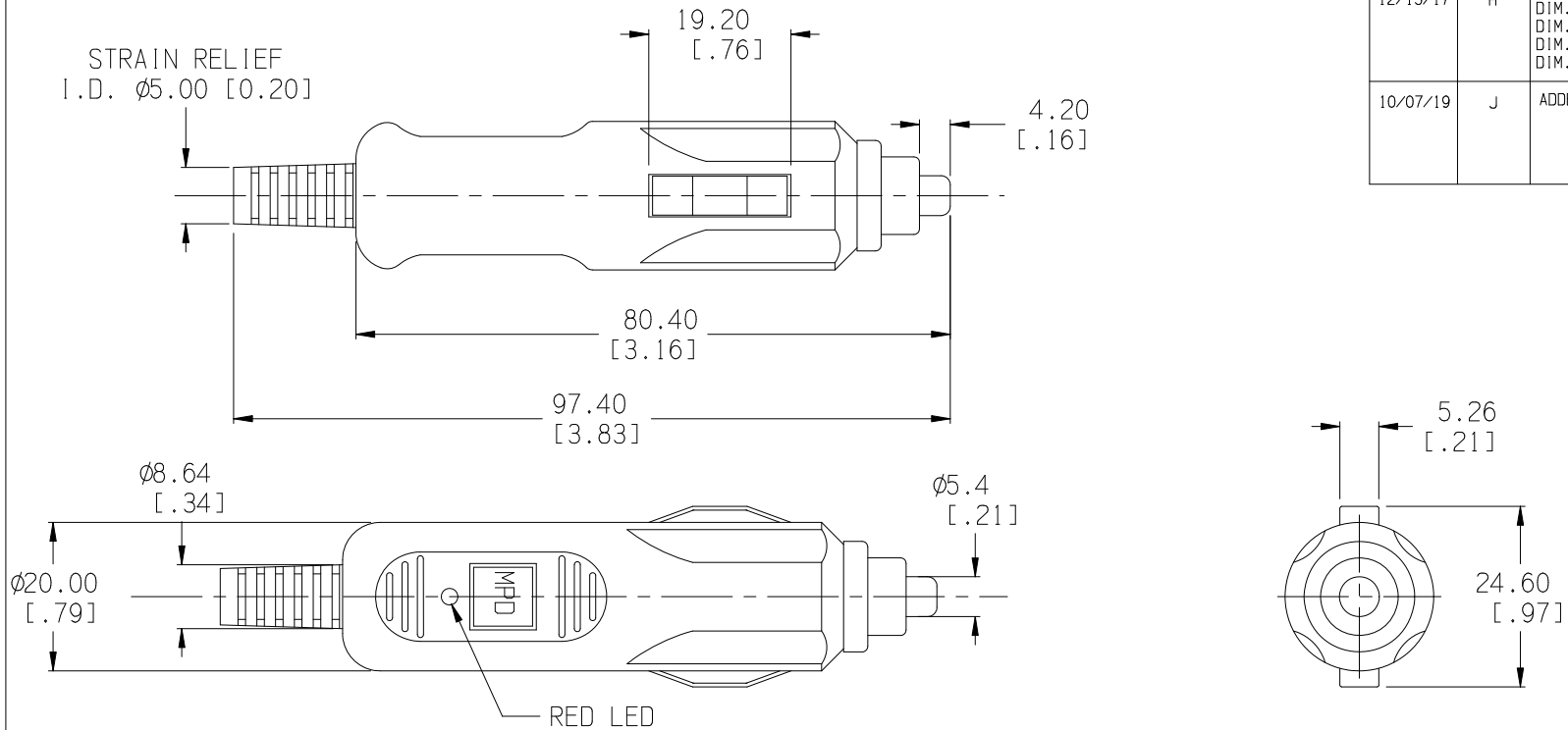



Date	SYM	REVISION RECORD	AUTH	DR.	CK.
02/17/17	G	UPDATED SPECIFICATIONS DIM. 97.00 WAS 96.77 DIM. 20.10 WAS 20.07 DIM. 4.20 WAS 4.17 DIM. 24.20 WAS 24.38 ADDED STRAIN RELIEF DIM. REMOVED DIM. 3.25,5.18,10.49	T.B.	B.S.	
12/15/17	H	UPDATED SPECIFICATIONS DIM. 80.40 WAS 80.26 DIM. 24.60 WAS 24.20 DIM. 97.40 WAS 97.00 DIM. 20.00 WAS 20.10	T.B.	B.S.	
10/07/19	J	ADDED RING MATERIAL	T.B.	B.S.	



SPECIFICATION:

BODY: HIGH IMPACT ABS, UL94-HB, FILE NO. E56070(S)
 COLOR: BLACK
 CENTER CONTACT: BRASS, NICKEL PLATED
 SLIDING CONTACTS: SK5 STEEL, NICKEL PLATED
 RING: BRASS, NICKEL PLATED
 SPRING: PHOS. BRONZE WIRE
 WIRE STRAIN RELIEF: PVC
 LED: RED, 3mm, 12V
 FUSE: 250V, 3 AMP, GLASS 3AG FAST ACTING TYPE
 6.35mm x 30mm (1/4" X 1 1/4")
 RATED AT 18 HOURS, CONTINUOUS DUTY
 5 AMP'S MAX WITH CORRECT FUSE
 ROHS COMPLIANT

Tolerance (Inches)	 Memory Protection Devices, Inc. 200 Broad Hollow Road, Farmingdale, New York 11735		
Decimal		Scale	Drawn By B.S.
$\pm .5$ (.020)			Approved By T.B.
Fractional	Title CIGARETTE PLUG FOR 21 OR 22.2mm DIA. SOCKETS WITH RED LED, 3 AMP FUSE		
$\pm .8$ (.030)	Date	Drawing Number	
Angular	10/07/19	APP-001	
$\pm 3^\circ$			