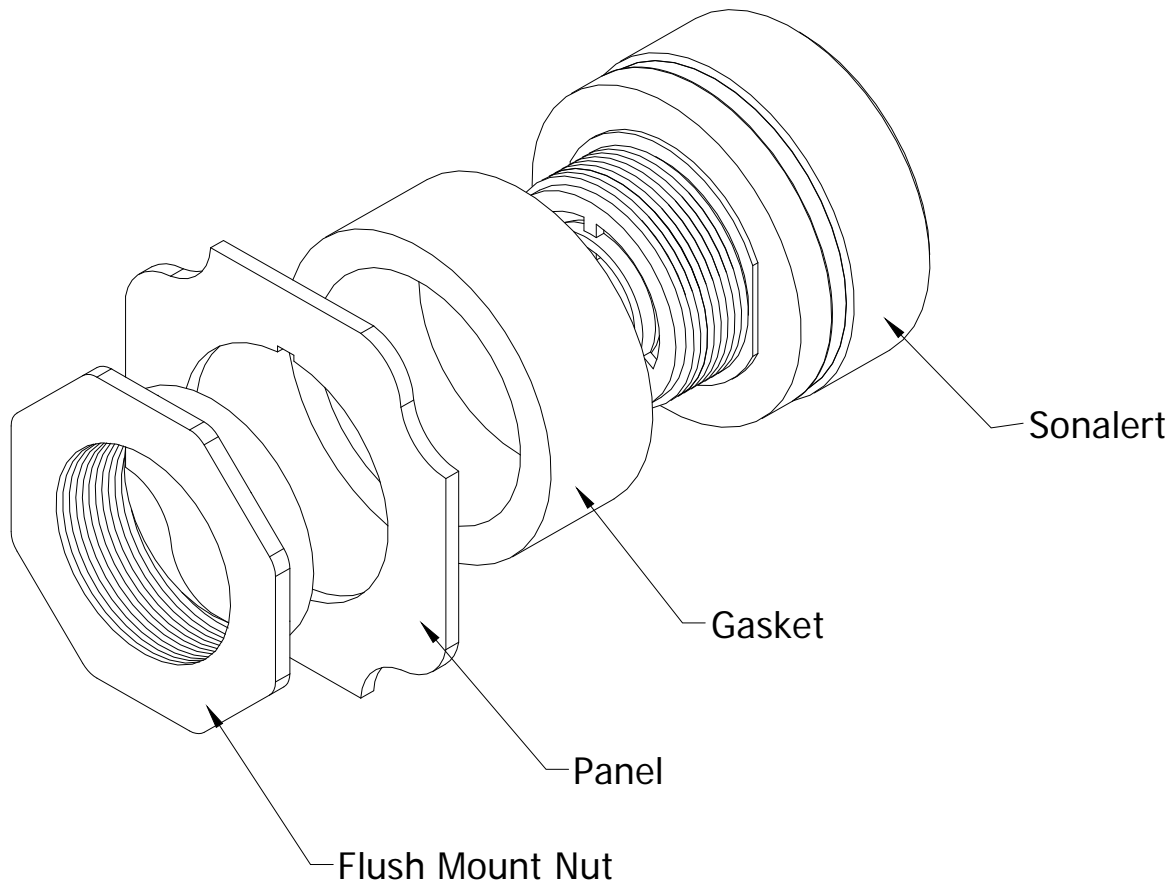


**Flush Mount - 16mm**

For use with panel hole of 32mm diameter and minimum thickness of 1.5mm.

**Instructions for Assembly:**

1. Place Flush Mount Nut through hole in panel (Nut is keyed).
2. Place Gasket over Flush Mount Nut.
3. Screw Sonalert into assembly and tighten.