



**Mallory Sonalert Products, Inc.**

Part #:

**SBS12M0FL**

**Sales Outline Drawing**

Revision:

**G**

**Specifications:**

**cUL Recognized as capable of meeting Medical Spec IEC60601-1-8**

Sound Level Category:	Extra Loud
Mode of Operation:	Continuous
Loudness @ 10cm:	95 to 105 dB(A) Typ.
Frequency:	150 to 4000 Hz
Voltage Rating:	9 to 12 VDC
Average Current Draw:	<300mA Typ.
Ipk Current*:	400mA
Housing Material:	ABS 777D Plastic Resin, Black
Storage Temperature:	-40° to +85° C
Operating Temperature:	-30° to +65° C
Weight Typical:	1.1 oz (32g)
Options:	Please contact factory.

**Dimensions:**

Inches [mm]

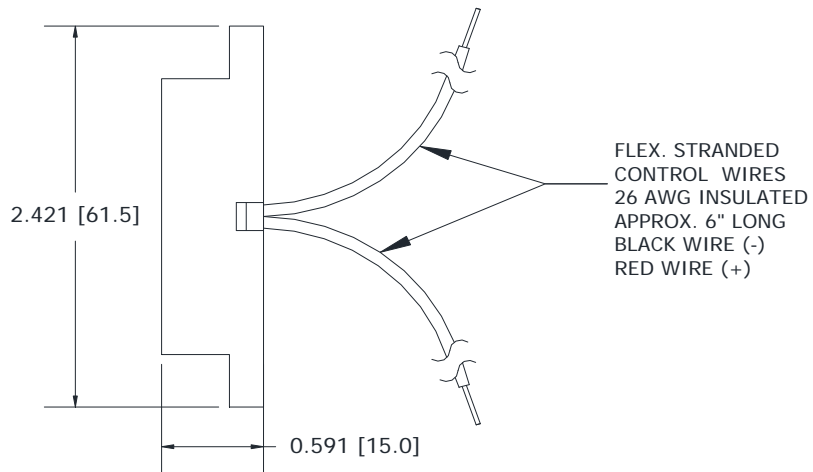
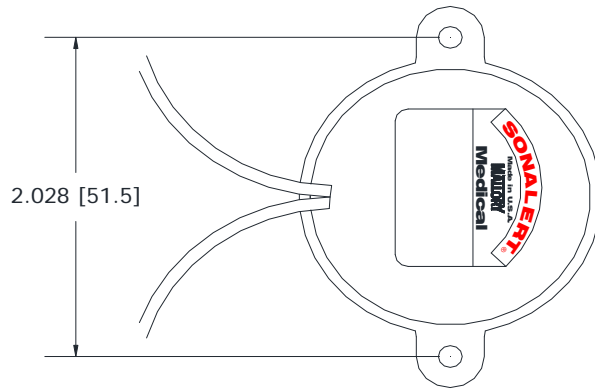
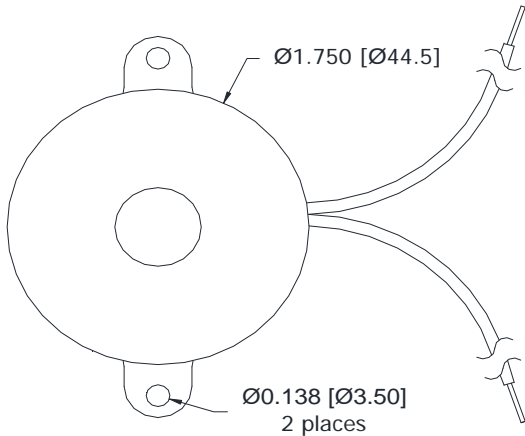
**cUL Recognized**

**ROHS Compliant**

PATENT NUMBER: 7880593

Before Code Date: 1546 Not cUL Recognized

After Code Date: 1547 cUL Recognized



\*Ipk = Instantaneous Peak